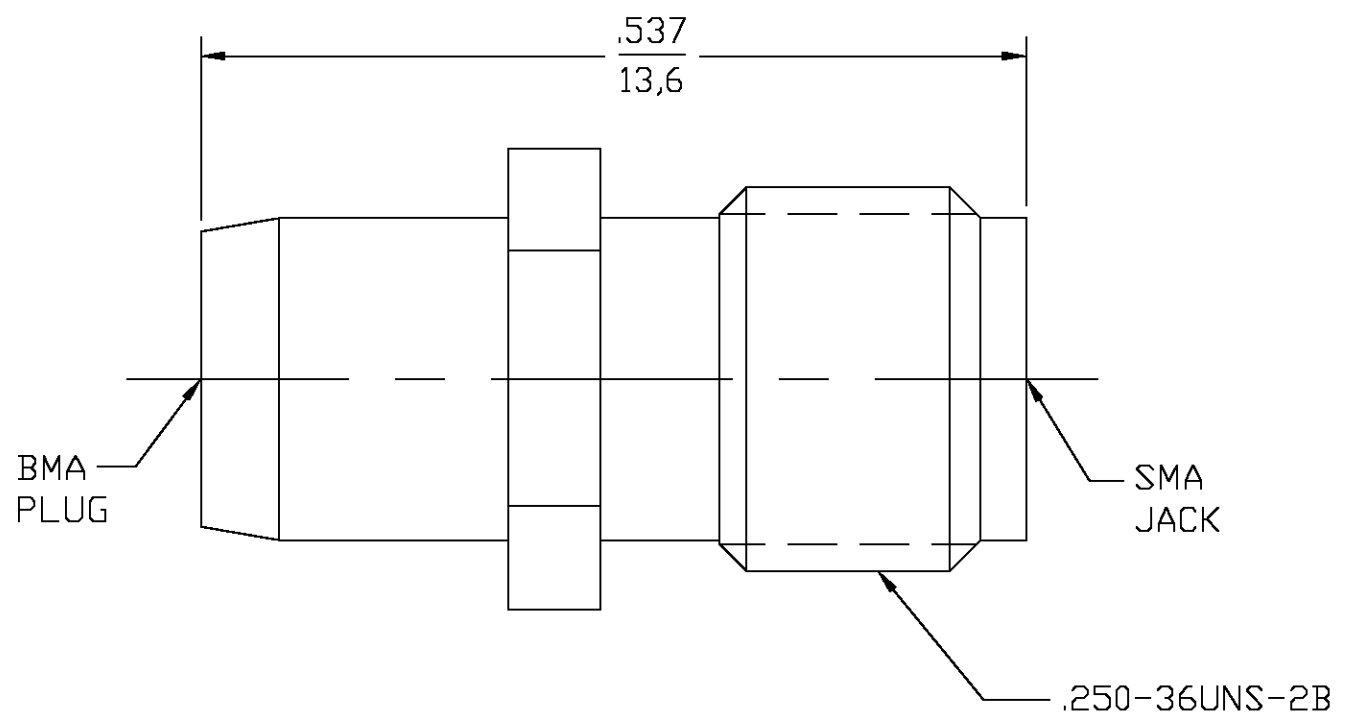
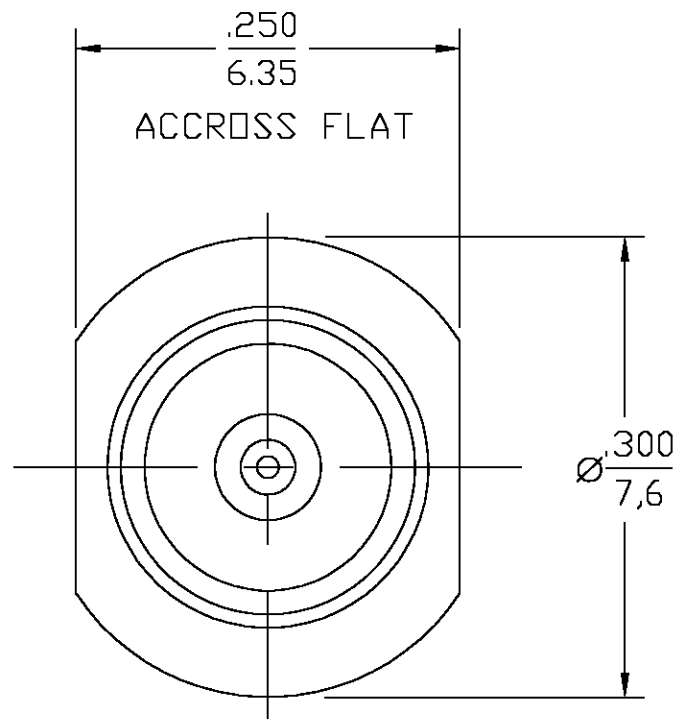


THIS DRAWING IS UNPUBLISHED. RELEASED FOR PUBLICATION
 © COPYRIGHT BY TYCO ELECTRONICS CORPORATION. ALL RIGHTS RESERVED.

LOC	DIST	REVISIONS					
HC	00	P	LTR	DESCRIPTION	DATE	DWN	APVD
		A		RELEASE	6/6/03	-	DCam



- NOTES:
1. FREQUENCY RANGE: DC TO 18 GHz
 2. VSWR: 1.05 +.005 f(GHz)
 3. INSERTION LOSS: .06 √f(GHz)
 4. CAPTURED CENTER CONTACT

HOUSING	STAINLESS STEEL ASTM-A484 & ASTM-A582 TYPE 303	PASSIVATE PER QQ-P-35
CONTACT	BERYLLIUM COPPER PER ASTM-B-196, ALLOY C17300, COND H	GOLD PLATE PER MIL-G-45204
DIELECTRIC	PTFE FLUOROCARBON PER ASTM-D-4894	N/A
COMPONENT	MATERIAL	FINISH

1059716-1
PART NO

THIS DRAWING IS A CONTROLLED DOCUMENT.		DWN PVC	4/29/82	 Tyco Electronics Corporation Norwood, MA 02062
DIMENSIONS: INCHES / mm		CHK RAL	4/29/82	
		APVD JK	4/29/82	
TOLERANCES UNLESS OTHERWISE SPECIFIED:		NAME BMA (OSP) PLUG TO SMA JACK ADAPTER (4582-2240-02)		
0 PLC ± - 1 PLC ± - 2 PLC ± - 3 PLC ± .005 4 PLC ± - ANGLES ± 1		PRODUCT SPEC -		SIZE A3
MATERIAL -		FINISH -		CAGE CODE 00779
		WEIGHT -		DRAWING NO C-1059716
CUSTOMER DRAWING				RESTRICTED TO -
				SCALE 8:1
				SHEET 1 OF 1
				REV A