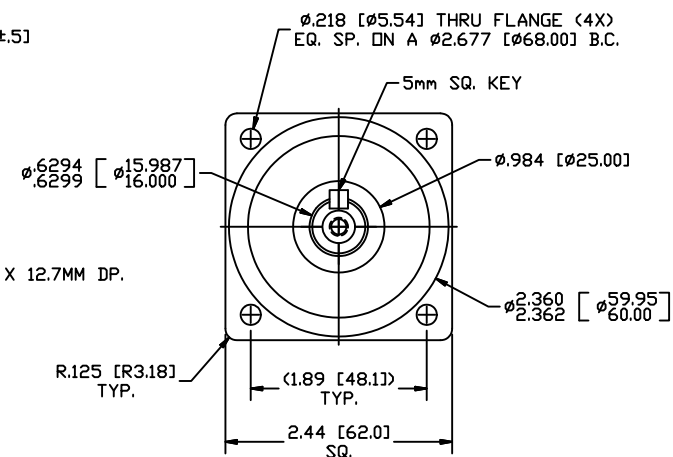
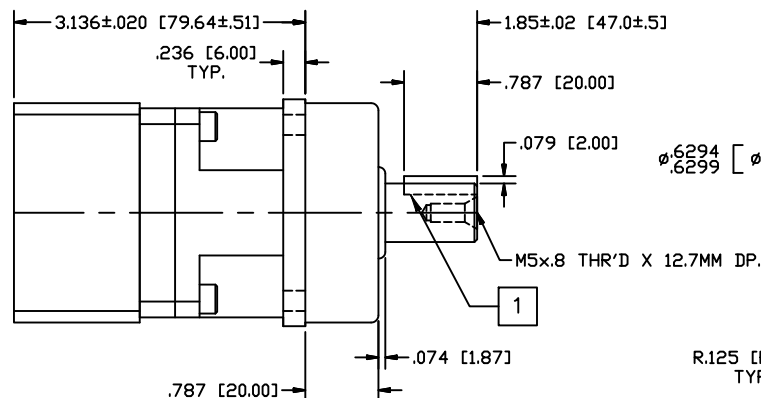
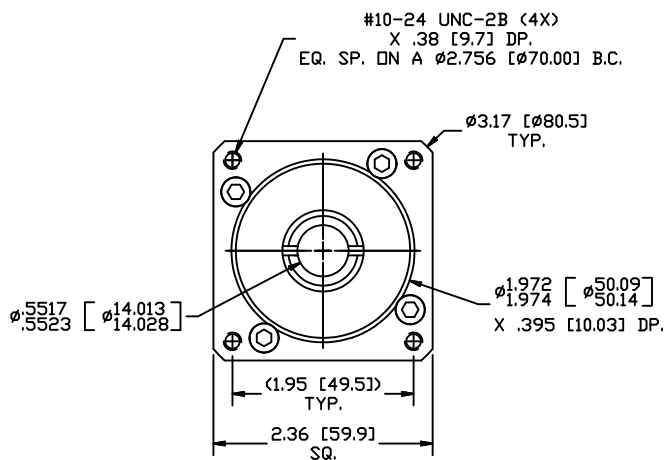


REVISIONS			
REV	DESCRIPTION	DATE	APPROVED
A	INITIAL RELEASE ECO 6709	2/22/13	J Kordik



NOTES: UNLESS OTHERWISE SPECIFIED

- 1 5MM SQUARE KEY
- 2. 60PM010 RATIO- 10:1
- 3. FOR TECHNICAL DETAILS, CONTACT APPLIED MOTION PRODUCTS.

TOLERANCES	THIRD ANGLE PROJECTION	APPLIED MOTION PRODUCTS, INC.	
DECIMALS: [MM] INCH X.XXX = ± .005 X.XX = ± [0.13] .010 X.X = ± [0.25] .020 ANGLES: MACH. = ± 5' CHAM. = ± 5'		OUTLINE, GEAR HEAD, PM060, 1 STAGE	
	APPROVALS	DATE	B DWG NO. 60PM010 REV A
	DRAWN R. JONEZ	2/22/13	
	CHECKED		
COMPUTER DATA BASE DRAWING	APPROVED		SCALE: FULL SHEET 1 OF 1