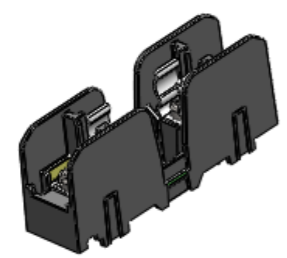
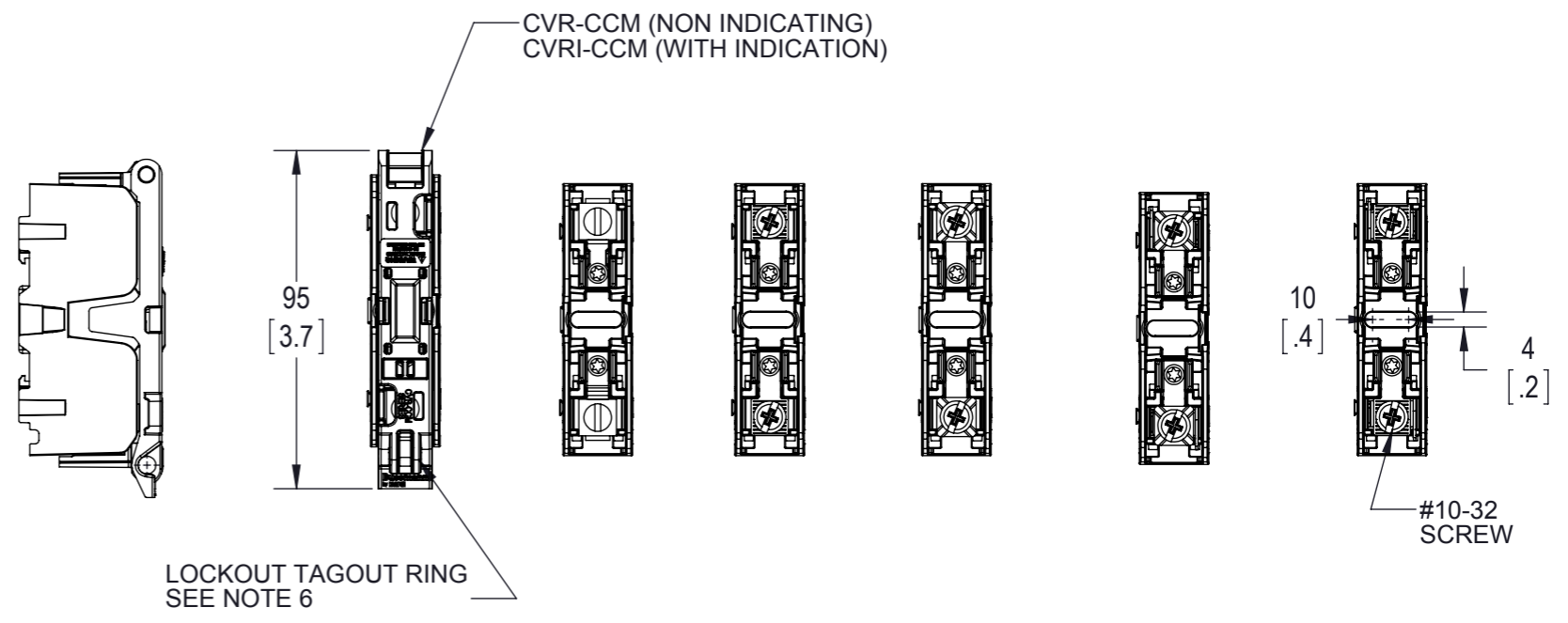
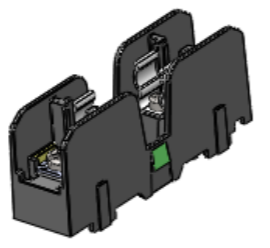


| CATALOG NO. | TERMINAL TYPE                   | IP20 FINGER SAFE COVERS       |                                | NO. OF POLES |
|-------------|---------------------------------|-------------------------------|--------------------------------|--------------|
|             |                                 | W/O INDICATION                | INDICATION                     |              |
| BCM603-1SQ  | SCREW W/ QUICK CONNECT          |                               |                                | 1            |
| BCM603-2SQ  | SCREW W/ QUICK CONNECT          | CVR-CCM-QC<br>SEE NOTES 7 & 9 | CVRI-CCM-QC<br>SEE NOTES 7 & 9 | 2            |
| BCM603-3SQ  | SCREW W/ QUICK CONNECT          |                               |                                | 3            |
| BCM603-1PQ  | PRESSURE PLATE W/ QUICK CONNECT |                               |                                | 1            |
| BCM603-2PQ  | PRESSURE PLATE W/ QUICK CONNECT | CVR-CCM-QC<br>SEE NOTES 7 & 9 | CVRI-CCM-QC<br>SEE NOTES 7 & 9 | 2            |
| BCM603-3PQ  | PRESSURE PLATE W/ QUICK CONNECT |                               |                                | 3            |
| BCM603-1S   | SCREW                           |                               |                                | 1            |
| BCM603-2S   | SCREW                           | CVR-CCM<br>SEE NOTES 8 & 9    | CVRI-CCM<br>SEE NOTES 8 & 9    | 2            |
| BCM603-3S   | SCREW                           |                               |                                | 3            |
| BCM603-1P   | PRESSURE PLATE                  |                               |                                | 1            |
| BCM603-2P   | PRESSURE PLATE                  | CVR-CCM<br>SEE NOTES 8 & 9    | CVRI-CCM<br>SEE NOTES 8 & 9    | 2            |
| BCM603-3P   | PRESSURE PLATE                  |                               |                                | 3            |
| BCM603-1C   | BOX LUG                         |                               |                                | 1            |
| BCM603-2C   | BOX LUG                         | CVR-CCM<br>SEE NOTES 8 & 9    | CVRI-CCM<br>SEE NOTES 8 & 9    | 2            |
| BCM603-3C   | BOX LUG                         |                               |                                | 3            |

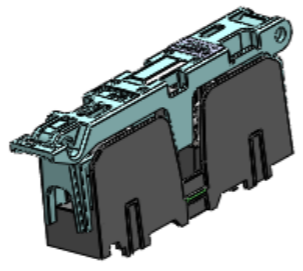
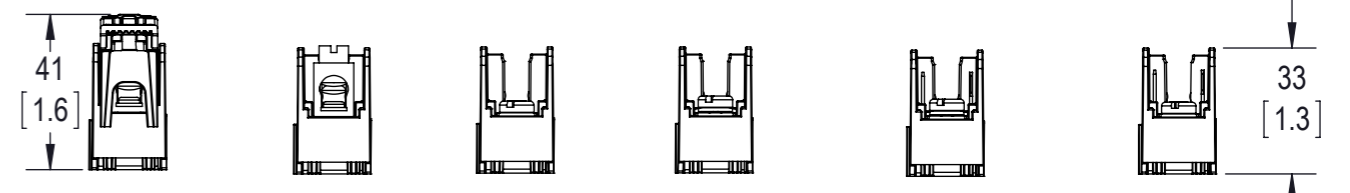
| REVISIONS |      |             |        |            |     |
|-----------|------|-------------|--------|------------|-----|
| REV       | ZONE | DESCRIPTION | DATE   | ECN        | BY  |
| A         |      | PRE-RELEASE | 5/8/14 | BU-SB14TBD | AVM |



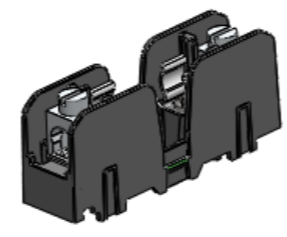
3D VIEW FOR BCM603-1S  
SCALE NONE



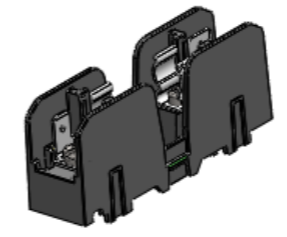
3D VIEW FOR BCM603-1P  
SCALE NONE



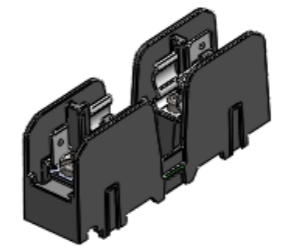
3D VIEW FOR BCM603-1C  
WITH COVER CVRI-CCM  
SCALE NONE



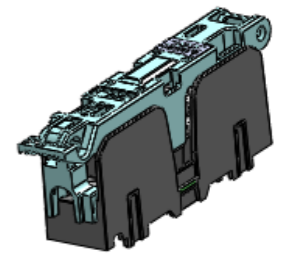
3D VIEW FOR BCM603-1C  
SCALE NONE



3D VIEW FOR BCM603-1SQ  
SCALE NONE



3D VIEW FOR BCM603-1PQ  
SCALE NONE



3D VIEW FOR BCM603-1xQ  
WITH COVER CVRI-CCM-QC  
SCALE NONE

CUSTOMER PRINT

- NOTES:
- VOLTAGE RATING: 600V
  - AMPERAGE: 30A (20A QUICK CONNECT)
  - WITHSTAND RATING: 200kA
  - C: WIRE RANGE:
    - (1) CU 75/90C
      - 2-3 AWG = 50 LB-IN (5.6NM)
      - 4-6 AWG = 45 LB-IN (5.1NM)
      - 8-14 AWG = 35 LB-IN (4.0 NM)
    - (1) AL 75/90C
      - 2-6 AWG = 50 LB-IN (5.6NM)
      - 8 AWG = 40 LB-IN (4.5NM)
  - S/P/SQ/PQ WIRE RANGE: (1) CU 75/90C
    - 10-18 AWG = 20 LB-IN (2.3NM)
  - USE 4MM DIA. CABLE LOCK
  - CVR-CCM-QC AND CVRI-CC-QC
    - 10AWG MAX WIRE + QUICK CONNECT OPENINGS AT ENDS AND TOP
  - CVR-CCM AND CVRI-CCM
    - 4AWG MAX WIRE + QUICK CONNECT OPENINGS AT TOP ONLY
    - FITS WITH MOST RING AND FORK CONNECTORS
  - ALL COVERS FIT ON ALL BASES
  - RECOMMEND USING DIN-RAIL END STOPS FOR DIN RAIL MOUNTED APPLICATIONS
    - BUSSMANN PART NUMBERS BRKT-ND OR BRKT-NDSCREW2
  - USE BUSSMANN MARKER LABEL TM26CB
  - ALL DIMENSIONS ARE TYPICAL UNLESS OTHERWISE INDICATED

|   |               |  |                                    |                                |   |
|---|---------------|--|------------------------------------|--------------------------------|---|
| MODEL SOURCE DATA<br>BMM603-XPQ   | MODEL VERSION | GENERAL DRAWING PRACTICES IN ACCORDANCE WITH ASME - Y14.100-2004<br>DIMENSIONS AND TOLERANCES IN ACCORDANCE WITH ASME - Y14.5M-1994                      | APPROVALS<br>D. McDowell<br>A. VZM | DATE<br>5/08/2014<br>5/08/2014 |   |
| THIS DRAWING IS AN UNCONTROLLED COPY IF PRINTED OR SENT ELECTRONICALLY. DO NOT SCALE DRAWING.   |               | UNLESS OTHERWISE SPECIFIED DIMENSIONS ARE IN MILLIMETERS TOLERANCES TO BE<br>ONE PLACE X.X = ±0.3mm<br>TWO PLACE X.X X = ±0.13mm<br>ALL ANGLES X.X = ±1° | QUALITY<br>--/--/----              |                                |   |
| EATON CORPORATION - CONFIDENTIAL AND PROPRIETARY NOTICE TO PERSONS RECEIVING THIS DOCUMENT AND/OR TECHNICAL INFORMATION THIS DOCUMENT, INCLUDING THE DRAWING AND INFORMATION CONTAINED THEREON IS CONFIDENTIAL AND IS THE EXCLUSIVE PROPERTY OF EATON CORPORATION AND IS MERELY ON LOAN AND SUBJECT TO RECALL BY EATON AT ANY TIME. BY TAKING POSSESSION OF THE DOCUMENT, THE RECIPIENT ACKNOWLEDGES AND AGREES THAT THIS DOCUMENT CANNOT BE USED IN ANY MANNER ADVERSE TO THE INTERESTS OF EATON AND THAT NO PORTION OF THIS DOCUMENT MAY BE COPIED OR OTHERWISE REPRODUCED WITHOUT THE PRIOR WRITTEN CONSENT OF EATON. IN THE CASE OF CONFLICTING CONTRACTUAL PROVISIONS, THIS NOTICE SHALL GOVERN THE STATUS OF THIS DOCUMENT. |               | SPECIAL CHARACTERISTIC $\diamond (0)$<br>SIGNIFICANT CHARACTERISTIC $\triangle (0)$  | MATERIAL<br>N/A                    |                                | TITLE<br>600V / 30A 10X38 CC FUSE BLOCK |
| © 2012 Eaton Corporation. All Rights Reserved.  |               | THIRD ANGLE PROJECTION   | FIRST<br>N/A                       |                                | SIZE DWG NO.<br>A3 BCM603-SERIES-CP     |
|   |               |  | SCALE: 1:2                         |                                | REV<br>A                                |
|   |               |  |                                    |                                | SHEET 1 OF 3                            |

8 7 6 5 4 3 2 1

F

E

D

C

B

A

F

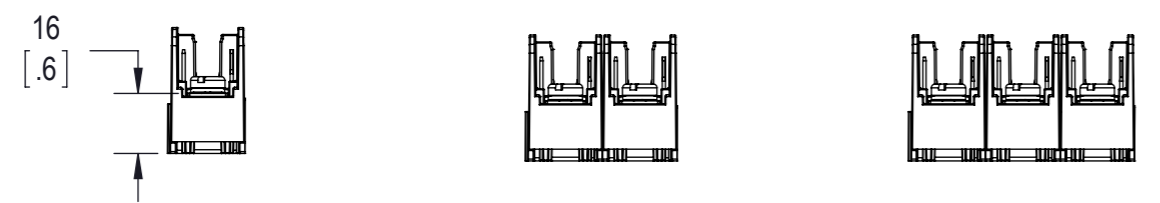
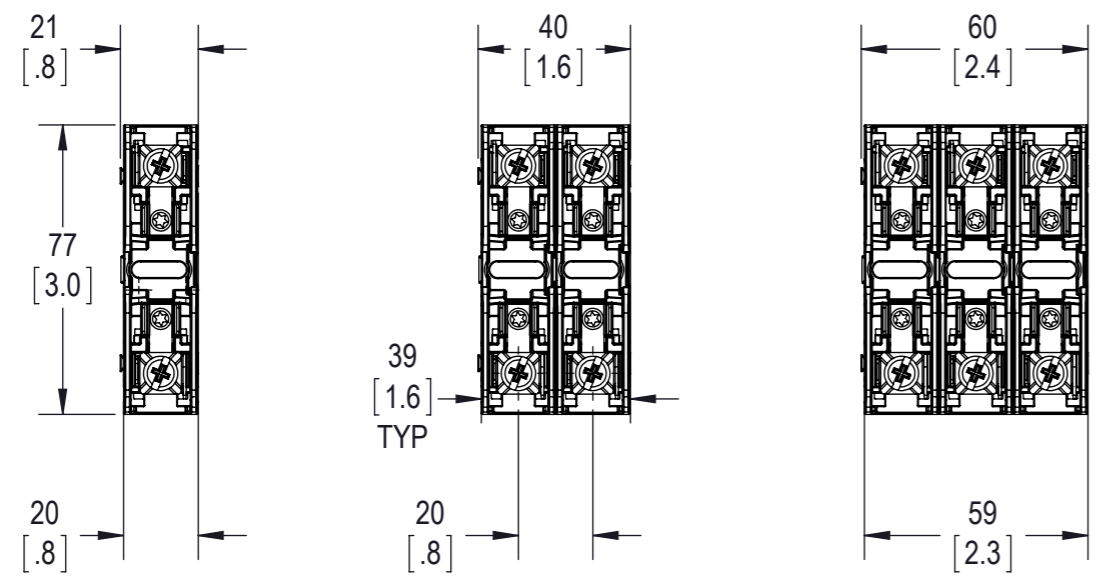
E

D

C

B

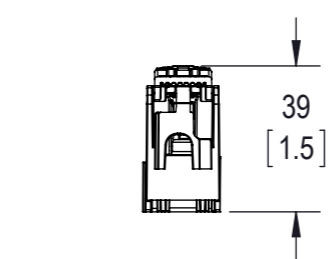
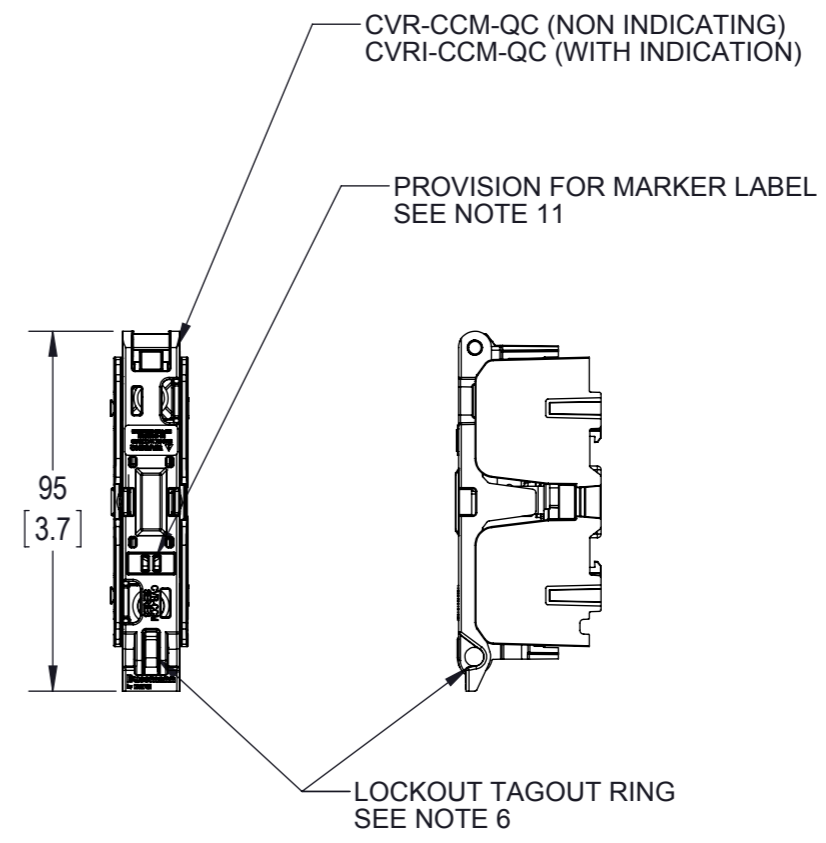
A



1 POLE  
BCM603-1PQ SHOWN

2 POLE  
BCM603-2PQ SHOWN

3 POLE  
BCM603-3PQ SHOWN



BCM60C-1xQ  
SHOWN WITH COVER

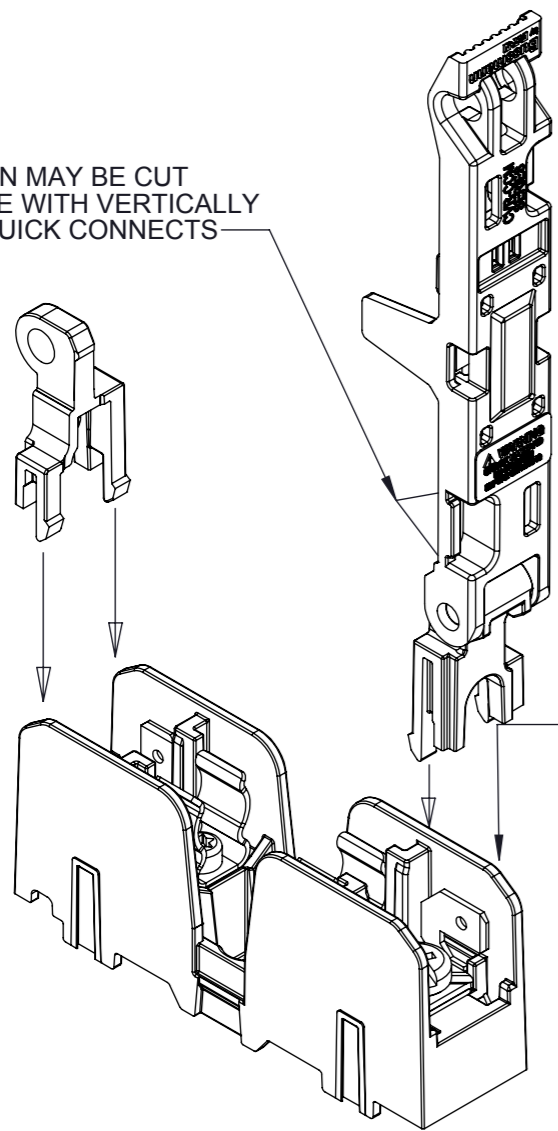
CUSTOMER PRINT

**Bussmann**  
by **EATON**

|   |                                    |                 |
|---|------------------------------------|-----------------|
| TITLE<br>600V / 30A 10X38 CC FUSE BLOCK |                                    |                 |
| SIZE<br><b>A3</b>                       | DWG NO.<br><b>BCM603-SERIES-CP</b> | REV<br><b>A</b> |
| SCALE:<br>1:2                           | SHEET 2 OF 3                       |                 |

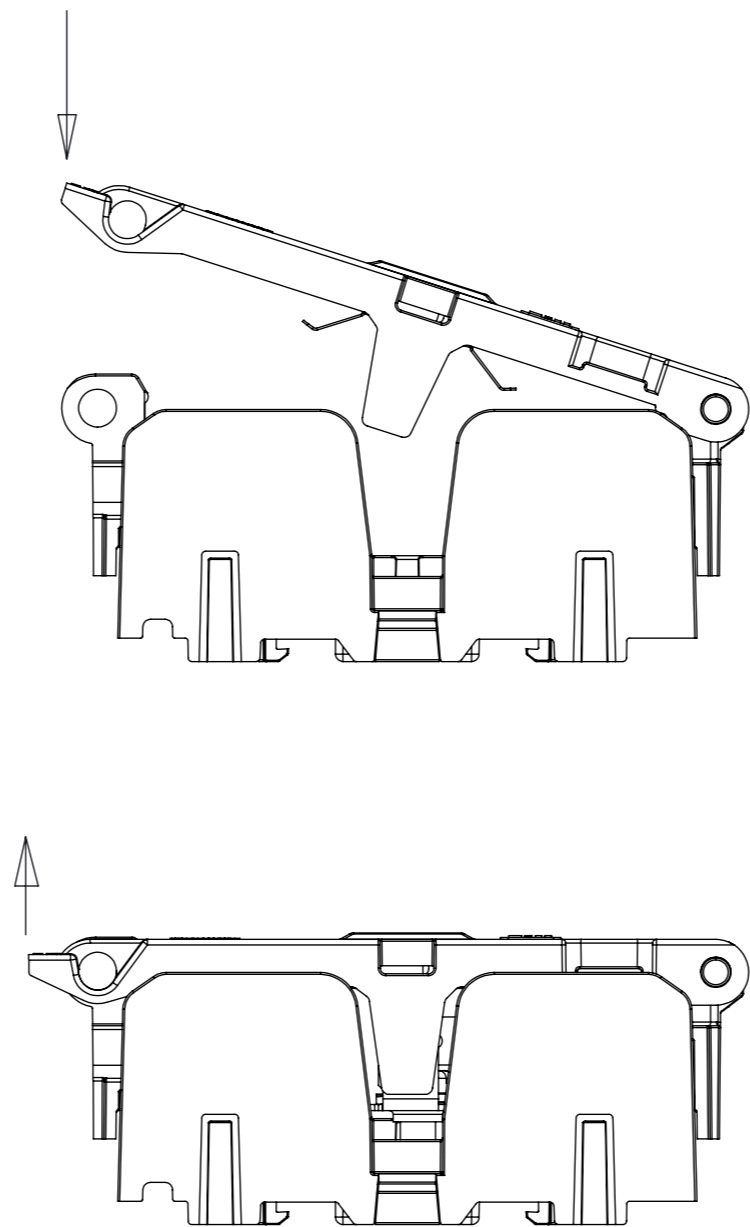
8 7 6 5 4 3 2 1

THIS SECTION MAY BE CUT OUT FOR USE WITH VERTICALLY ORIENTED QUICK CONNECTS

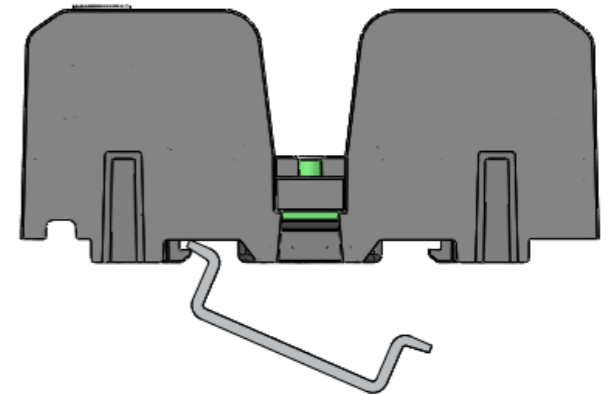


PUSH COVER PIVOT AND END PIECE SNAPS INTO SLOTS IN BASE. THE COVER MAY BE ORIENTED IN EITHER DIRECTION.

**COVER INSTALLATION**  
ONCE INSTALLED THE COVER CANNOT BE REMOVED

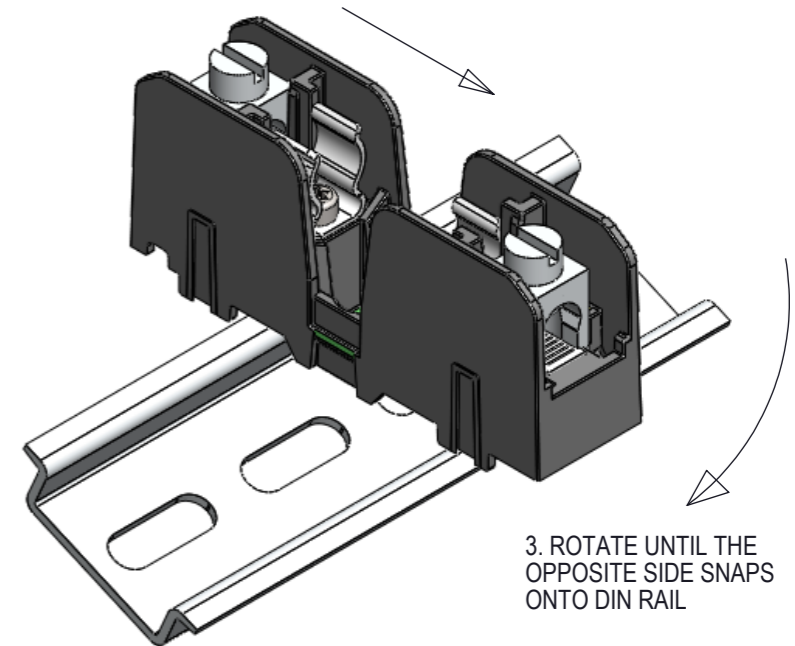


**OPENING AND CLOSING**  
PUSH/PULL ON END TAB, ROTATE UNTIL CLOSED/OPEN



1. HOOK DIN RAIL SNAPS ON ONE SIDE OF THE DIN RAIL

2. PUSH DOWN TO DEFLECT THE SNAPS



3. ROTATE UNTIL THE OPPOSITE SIDE SNAPS ONTO DIN RAIL

**INSTALLATION ON DIN RAIL**  
END STOPS MAY BE NECESSARY FOR SOME ASSEMBLY CONDITIONS - SEE NOTE 10

CUSTOMER PRINT

**Bussmann**  
by **E.T.N.**

TITLE  
600V / 30A 10X38 CC FUSE BLOCK

SIZE DWG NO. REV  
**A3** **BCM603-SERIES-CP** **A**

SCALE: 1:2 SHEET 3 OF 3

SIA3\_BUS\_VME\_GENR\_REV\_A