

ELECTRIC DOUBLE LAYER CAPACITORS "EVerCAP®"

nichicon

JD
series

Screw Terminal Type, High Energy Density Type

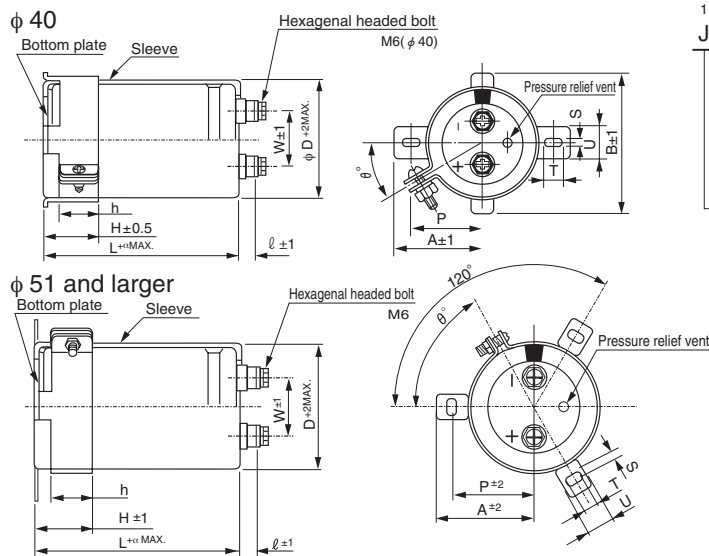


- High energy density.
- Suitable for electric power storage.
- Compliant to the RoHS directive (2011/65/EU).

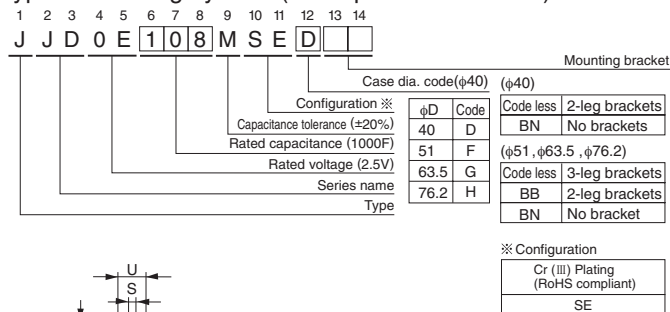
Specifications

Item	Performance Characteristics	
Category Temperature Range	- 25 to + 60°C	
Rated Voltage Range	2.5V	
Rated Capacitance Range	1000 to 6000F See Note	
Capacitance Tolerance	±20% (20°C)	
Leakage Current	0.5C (mA) [C : Rated Capacitance (F)] (After 30 minutes' application of rated voltage : 2.5V)	
Stability at Temperature	Capacitance (-25°C) / Capacitance (+20°C) × 100 ≥ 70% DCR(-25°C) / DCR (+20°C) ≤ 7	
DCR*	Refer to the table below. (20°C) *DC internal resistance	
Endurance	The specifications listed at right shall be met when the capacitors are restored to 20°C after the rated voltage is applied for 2000 hours at 60°C.	
	Capacitance change	Within ±30% of the initial capacitance value
	DCR	300% or less than the initial value
Shelf Life	The specifications listed at right shall be met when the capacitors are restored to 20°C after storing the capacitors under no load for 2000 hours at 60°C.	
	Capacitance change	Within ±30% of the initial capacitance value
	DCR	300% or less than the initial value
Marking	Printed with white color letter on black sleeve.	
	Leakage current	Less than or equal to the initial specified value
	Leakage current	Less than or equal to the initial specified value

Drawing



Type numbering system (Example : 2.5V 1000F)



Note :
The capacitance calculated from discharge time (ΔT) with constant current (i) after 30minute charge with rated voltage (2.5V).
The discharge current (i) is 0.01 × rated capacitance (F).
The discharge time (ΔT) measured between 2V and 1V with constant current.
The capacitance calculated below.
Capacitance (F) = i × ΔT

Dimensions

Rated Voltage (Code)	Cap. (F)	Cap. code	DCR ※ Typical (mΩ)	Case size		Ref. Weight (g)
				φ (mm)	L (mm)	
2.5V (0E)	1000	108	8.0	40	105	210
	1300	138	6.0		135	250
	2300	238	4.0	51	135	450
	2500	258	3.5		142	500
	4000	408	2.2	63.5	150	800
	6000	608	2.2	76.2	165	1300

※ The listed DCR value is typical and therefore not a guaranteed value.

• Dimensions of terminal pitch (W) and length (ℓ) and Normal dia. of bolt (mm)

φ D	W	ℓ		Nominal of bolt
40	18.8	9	3	M6
51	26.0	10	3	M6
63.5	28.6	10	3	M6
76.2	31.8	6	3	M6

Dimensions of mounting bracket (mm)

Symbol	3-Legs			2-Legs			
	51	63.5	76.2	40	51	63.5	76.2
P	32.5	38.1	44.5	27	33.2	40.5	46.5
A	38.5	43	49.2	32	40	46.5	53
B	-	-	-	48	-	-	-
T	7.5	8.0	7.0	7.0	6.0	7.0	6.0
S	5.0	5.0	5.0	3.5	4.5	4.5	4.5
U	12	14	14	10	14	14	14
θ°	60	60	60	45	30	30	30
H	20	25	30	17	25	35	35
h	15	20	24	12	15	20	20

Note) The brackets will be supplied in the separate box.