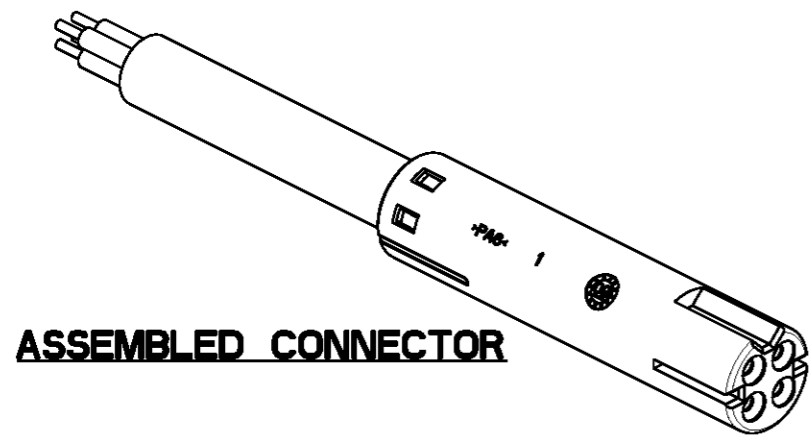


THIS DRAWING IS UNPUBLISHED. RELEASED FOR PUBLICATION 2008
 © COPYRIGHT 2008 BY TYCO ELECTRONICS CORPORATION. ALL RIGHTS RESERVED.

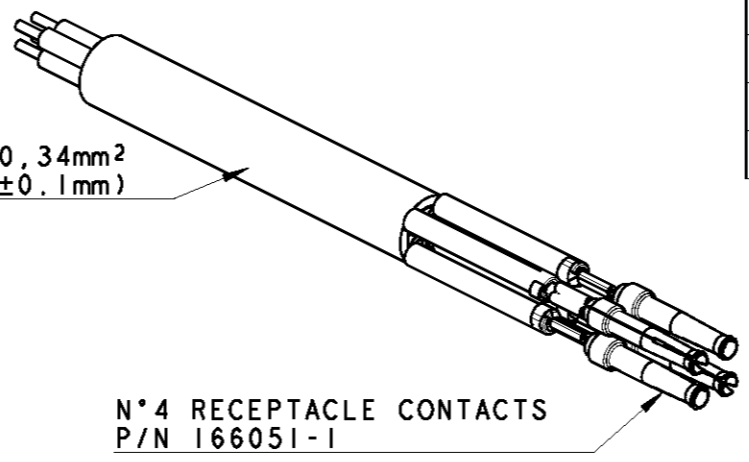
LOC	DIST	REVISIONS			
P	LTR	DESCRIPTION	DATE	DWN	APVD
		A	FIRST ISSUE	12SEP2008	D.C. G.T.
		A8	REVISED: DRAWING FOR EUROPE VERSIONS	08APR2010	D.C. G.T.
		A9	REVISED: CHANGED SALES CONDITIONS	30AUG2010	D.C. G.T.
		B	RELEASED FOR PRODUCTION	30NOV2010	D.C. G.T.

CABLE LiYY 4x0,34mm²
 (INSULATION DIAMETER 4.9±0.1mm)

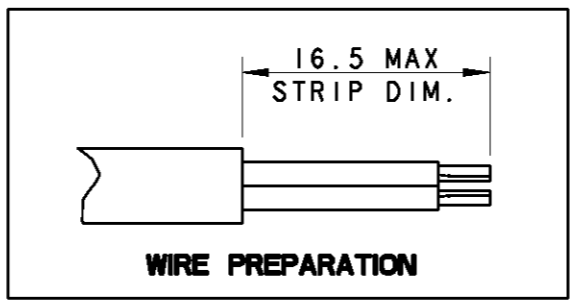


ASSEMBLED CONNECTOR

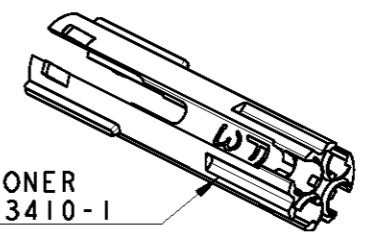
VOLTAGE: < 30V r.m.s. (42V PEAK)
 MAXIMUM CURRENT: 2A PER WAY (FULL LOADED)



N°4 RECEPTACLE CONTACTS
 P/N 166051-1



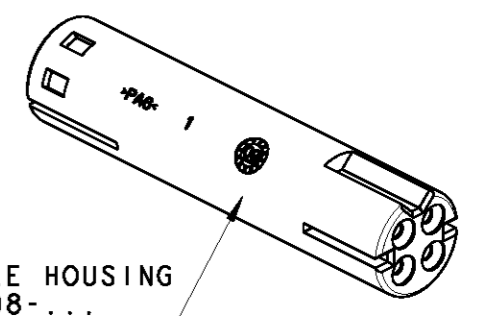
WIRE PREPARATION



POSITIONER
 P/N 293410-1

MOUNTING OVERVIEW

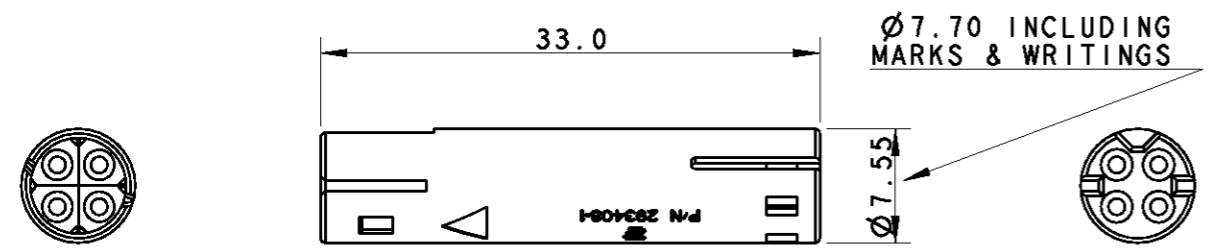
CONTACTS MUST BE MOUNTED ON THE POSITIONER BEFORE TO INSERT THEM INTO THE HOUSING. MOUNTING SHALL BE ACCORDING TO THE TYCO ELECTRONICS APPLICATION SPEC. 114-20147.



RECEPTACLE HOUSING
 P/N 293408-...

THE PRESENTED PRODUCT / DESIGN WILL BE RELEASED FOR THE MANUFACTURING OF THE NECESSARY PRODUCTION TOOLS HEREBY. FURTHER CHANGES HAS TO BE PAID BY CUSTOMER.
 DATE, SIGN OF THE CUSTOMER

RECEPTACLE HOUSING (N° 3 VERSIONS):
 - P/N 293408-1 (REV. B) IN WHITE COLOUR
 - P/N 293408-2 (REV. B) IN BLACK COLOUR
 - P/N 293408-3 (REV. B) IN GRAY COLOUR



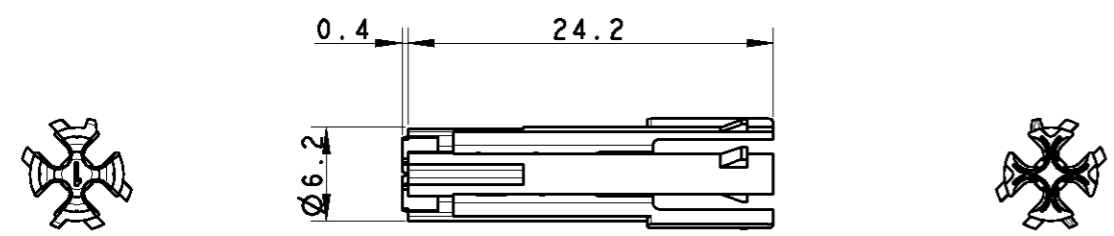
KEYING POLARIZATION FOR
 P/N 293408-1 (WHITE VERSIONS)
 AND FOR
 P/N 293408-2 (BLACK VERSIONS)

KEYING POLARIZATION FOR
 P/N 293408-3 (GRAY VERSIONS)

PACKAGING: N° 1500 PCS INTO CARTON BOX, ACCORDING TO PACKAGING SPEC. 107-20289.

REC. HOUSING P/N	POSITIONER P/N	PART NUMBER (KIT)	REV.
293408-3	293410-1	293411-3 (GRAY VERSION)	B
293408-2	293410-1	293411-2 (BLACK VERSION)	B
293408-1	293410-1	293411-1 (WHITE VERSION)	B

POSITIONER (N°1 VERSION):
 - P/N 293410-1 (REV. B) IN BLACK COLOUR



THIS DRAWING IS A CONTROLLED DOCUMENT FOR TYCO ELECTRONICS CORPORATION IT IS SUBJECT TO CHANGE AND THE CONTROLLING ENGINEERING ORGANIZATION SHOULD BE CONTACTED FOR THE LATEST REVISION.

DIMENSIONS:	TOLERANCES UNLESS OTHERWISE SPECIFIED:
mm	0 PLC ±0.5
	1 PLC ±0.3
	2 PLC ±0.2
	3 PLC ±
	4 PLC ±
	ANGLES ±
MATERIAL	FINISH
PLASTIC PARTS: PA, ACC. TO GLOW WIRE 750°C NO FLAME	-

DWN	12SEP2008
CHK	12SEP2008
APVD	12SEP2008
PRODUCT SPEC	108-20293
APPLICATION SPEC	114-20147
WEIGHT	-
CUSTOMER DRAWING	

Tyco Electronics AMP Italia S.r.l. C.so F.lli Cervi, 15 - Collegno (TO)			
NAME		4 POS. LOW VOLTAGE, FREE HANGING, FEMALE CONNECTOR FOR EUROPE MARKET	
SIZE	CAGE CODE	DRAWING NO	RESTRICTED TO
A3	00779	C-293411	-
SCALE		SHEET	OF
2:1		1	1
		REV	B