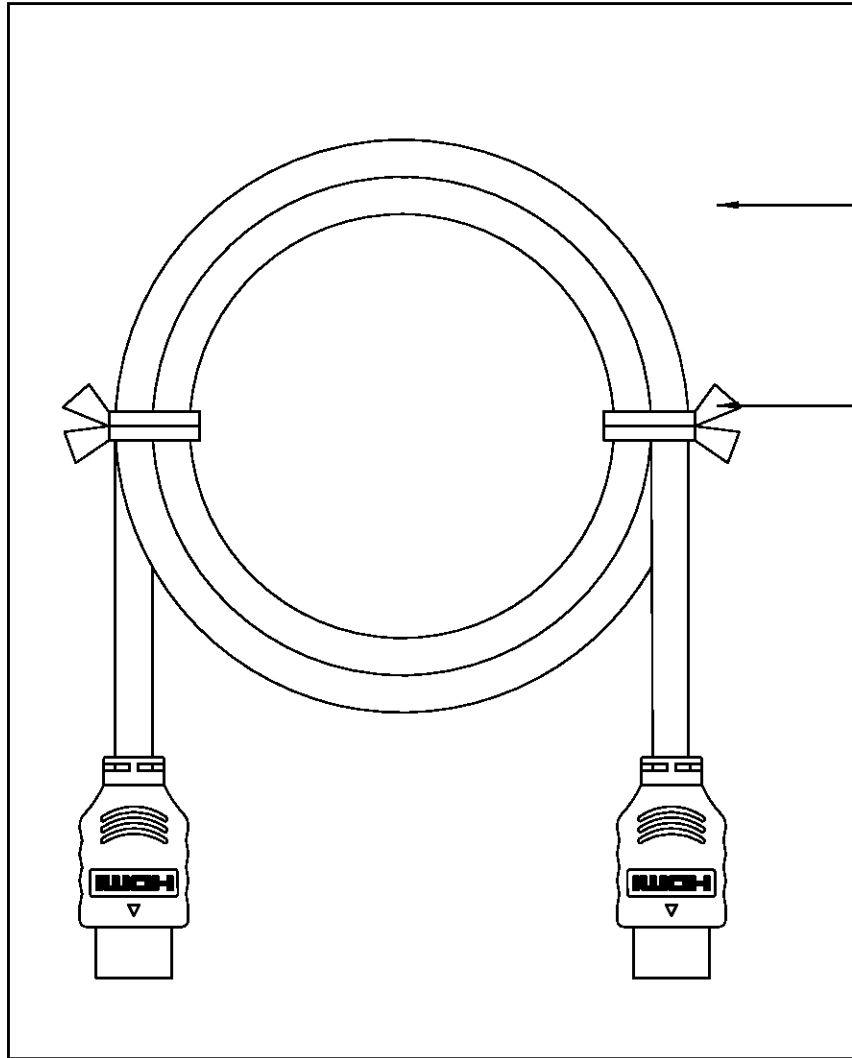


DWG. NO. C-1770019

THIS DRAWING IS UNPUBLISHED. RELEASED FOR PUBLICATION.
 © COPYRIGHT BY ALL RIGHT RESERVED.



1PCS/PE BAG

MINI TIE

1770019-8	5000±50
1770019-7	1500±20
1770019-6	1000±20
1770019-5	750±10
1770019-4	500±10
1770019-3	250±10
1770019-2	3000±30
1770019-1	2000±20
P/N	L

LDC
HY
DIST

SEE SHEET 1			
REVISION RECORD	DATE	DWN	APVE

DIMENSIONS: MM 	TOLERANCES UNLESS OTHERWISE SPECIFIED: 0 PLC ± 1 PLC ± 2 PLC ± 3 PLC ±	SIZE A3	SCALE —	SHEET 2 OF 2	REV F1	
		DWN M.TSAI	ENG. JPI	NAME CABLE ASSY, HDMI		
ANGLES ± SURFACE TEXTURE		CHK J.PI	CHK	DRAWING NO. C-1770019		CUSTOMER DRAWING
		APVD J.CHEN				

4

3

2

1

D

C

B

A