

PART NAME: HANDLE SCALE: 1:1 DATE: 9/8/64 DR. BY LSP

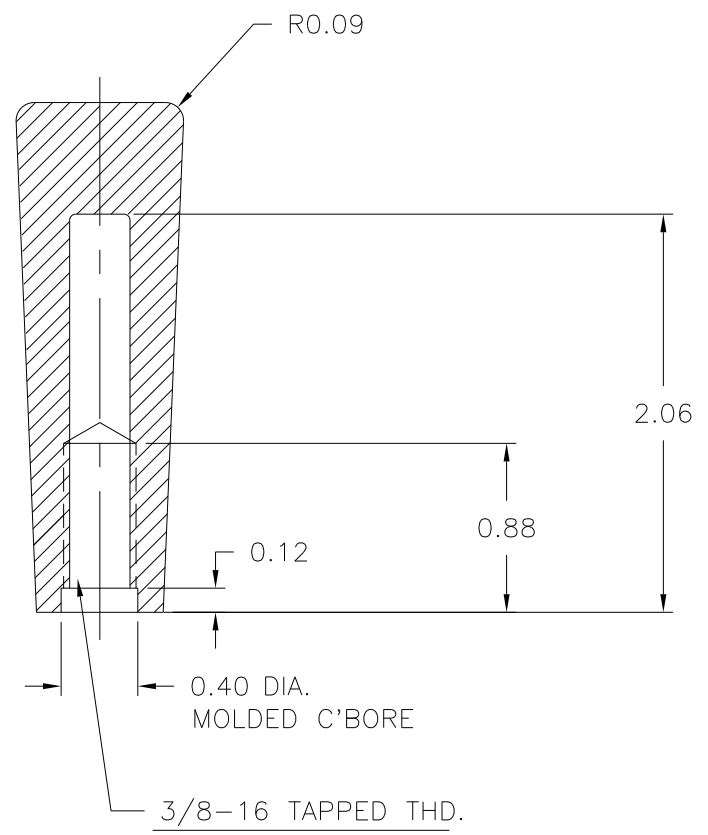
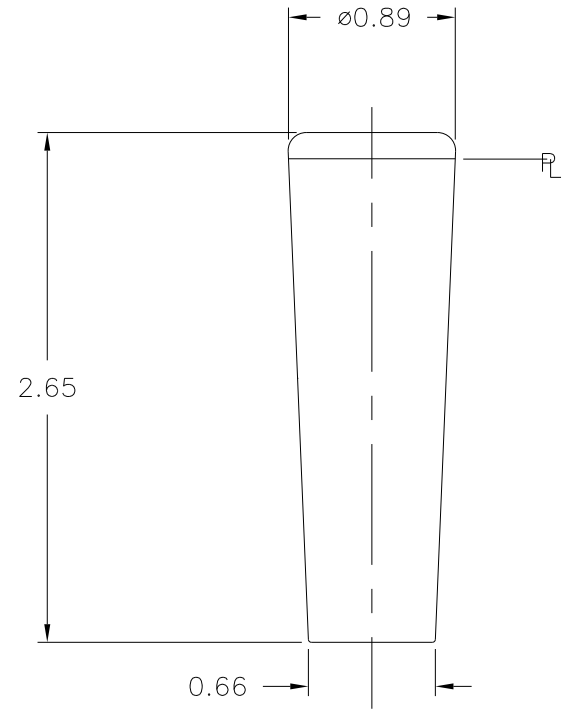
THIS DRAWING IS THE PROPERTY OF DAVIES MOLDING COMPANY, IS SUBMITTED SOLELY AS A DESIGN OR ENGINEERING PROJECT.
WE ACCEPT NO RESPONSIBILITY WHATSOEVER FOR THE PRACTICAL APPLICATION OF THE PIECES MADE TO THIS DESIGN.

DAVIES MOLDING COMPANY
CAROL STREAM, ILLINOIS 60188

P/N 0692AL
BASE PART 0692-01

CAD/REDRAWN : 6/22/93 : HD

NOTE: DURING TAPPING OPERATION
STD.THREAD SCREW FIT REQ'D.
FOR, PROPER FIT



MATERIAL: G.P. PHENOLIC (B11)
COLOR: BLACK

TOLERANCES: UNLESS OTHERWISE SPECIFIED	DO NOT SCALE DRAWING			
DECIMALS: X.XXX ± .005 X.XX ± .015	MM: X.XX ± 0.15MM X.X ± 0.4MM	-	UPDATED TOOLBOX	JAM 1/17/03
FRACTIONS ± 1/64	ANG. ± 1°	CHANGES		