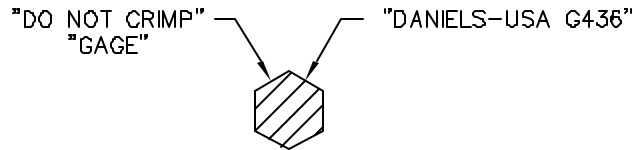
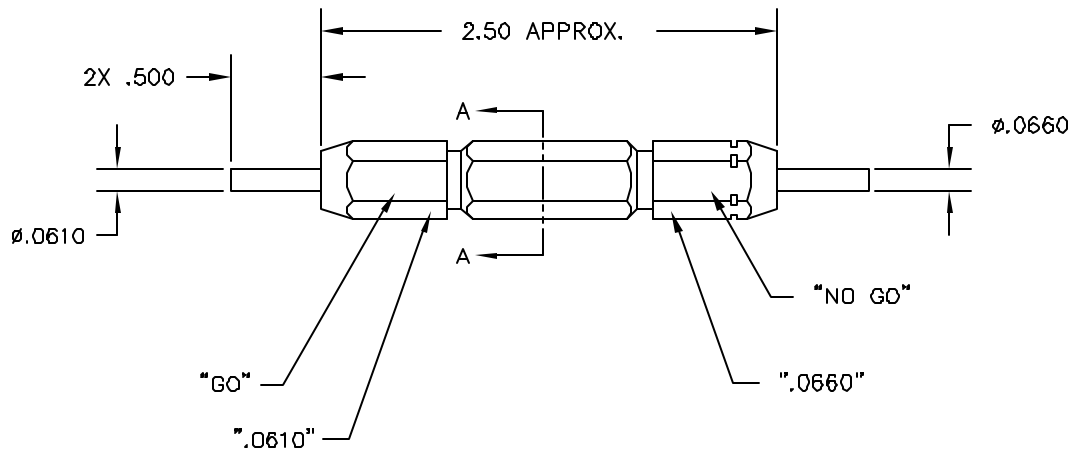



REVISIONS				
REV. SYN.	E.C.D. NUMBER	DESCRIPTION	BY DATE	APPD DATE
1		ORIGINAL RELEASE	JWB 2/28/86	RRR 3/6/86



SECTION A-A



**UNCONTROLLED DOCUMENT
WILL NOT BE UPDATED**

<p>RESTRICTED & CONFIDENTIAL</p> <p>CONFIDENTIAL PROPERTY OF DANIELS MANUFACTURING CORP. NOT TO BE DISCLOSED TO OTHERS, REPRODUCED OR USED FOR ANY OTHER PURPOSE EXCEPT AS AUTHORIZED IN WRITING BY DANIELS MANUFACTURING. MUST BE RETURNED TO DANIELS MANUFACTURING CORP. ON COMPLETION OF ORDER OR OTHER PURPOSE FOR WHICH LENT.</p> <p>DO NOT SCALE DRAWING</p>	MATERIAL	ITEM	PART NO.	QTY.	DESCRIPTION/REMARKS																			
	HEAT TREAT	DIRL	JWS	DATE 2/28/86	 <p>DANIELS MANUFACTURING CORP. ORLANDO, FLORIDA GAGE 11851</p>																			
	FINISH	CHK'D.	MCS	DATE 3/4/86																				
		APP'D.	RRR	DATE 3/6/86	<p>TITLE</p> <p>GO/NO-GO GAGE ENVELOPE DRAWING</p> <p>WHERE USED: M309, M310</p>																			
		APP'D.	DATE	<table border="1"> <tr> <td>SIZE</td> <td>SCALE</td> <td>CAD P/N</td> <td>SHEET</td> <td>OF</td> </tr> <tr> <td>B</td> <td>NTS</td> <td>G436-ENV</td> <td>1</td> <td>1</td> </tr> <tr> <td>POSTING</td> <td></td> <td>P/N</td> <td></td> <td>REV.</td> </tr> <tr> <td></td> <td></td> <td>G436-ENV</td> <td></td> <td>1</td> </tr> </table>	SIZE	SCALE	CAD P/N	SHEET	OF	B	NTS	G436-ENV	1	1	POSTING		P/N		REV.			G436-ENV		1
SIZE	SCALE	CAD P/N	SHEET	OF																				
B	NTS	G436-ENV	1	1																				
POSTING		P/N		REV.																				
		G436-ENV		1																				