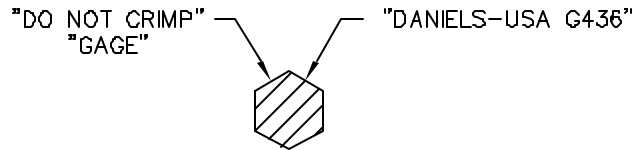
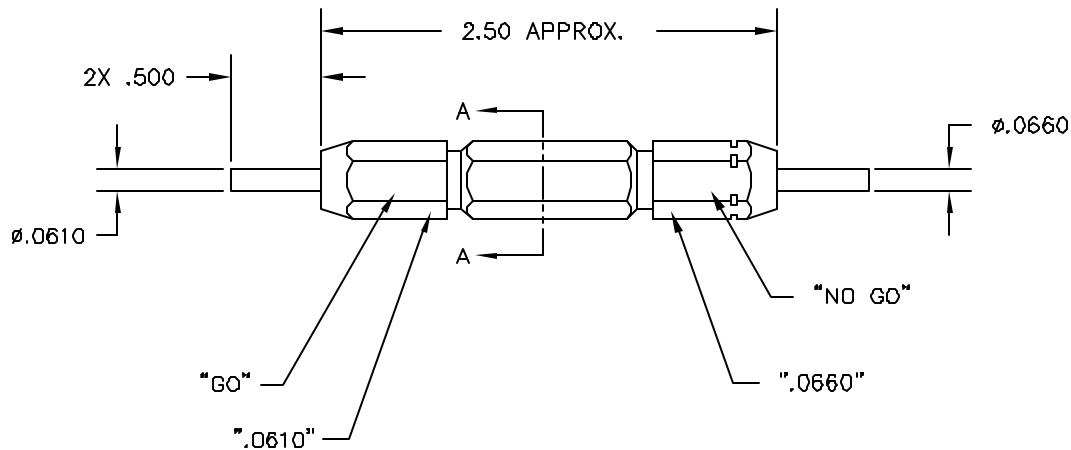



REVISIONS				
REV. SYN.	E.C.D. NUMBER	DESCRIPTION	BY DATE	APP'D DATE
1		ORIGINAL RELEASE	JWB 2/28/86	RRR 3/6/86



SECTION A-A



**UNCONTROLLED DOCUMENT
WILL NOT BE UPDATED**

RESTRICTED & CONFIDENTIAL CONFIDENTIAL PROPERTY OF DANIELS MANUFACTURING CORP. NOT TO BE DISCLOSED TO OTHERS, REPRODUCED OR USED FOR ANY OTHER PURPOSE EXCEPT AS AUTHORIZED IN WRITING BY DANIELS MANUFACTURING. MUST BE RETURNED TO DANIELS MANUFACTURING CORP. ON COMPLETION OF ORDER OR OTHER PURPOSE FOR WHICH LENT. DO NOT SCALE DRAWING	MATERIAL	ITEM	PART NO.	QTY.	DESCRIPTION/REMARKS
	HEAT TREAT	DIRL	JWS	DATE 2/28/86	 DANIELS MANUFACTURING CORP. ORLANDO, FLORIDA GAGE 11851
	FINISH	CHK'D.	MCS	DATE 3/4/86	
		APP'D.	RRR	DATE 3/6/86	TITLE GO/NO-GO GAGE ENVELOPE DRAWING WHERE USED: M309, M310
		APP'D.	DATE	SIZE B SCALE NTS CAD P/N G436-ENV SHEET 1 OF 1 POSTING P/N G436-ENV REV. 1	