

4

3

2

1

THIS DRAWING IS UNPUBLISHED.

RELEASED FOR PUBLICATION

MAR.2003

© COPYRIGHT 2003

BY -

ALL RIGHTS RESERVED.

LOC	DIST	REVISIONS			
P	LTR	DESCRIPTION	DATE	DWN	APVD
E	B	B2	REVISED PER ECO-11-005150	29MAR2011	RK HMR

1 FOR FURTHER INFORMATION SEE DATA SHEET FOR HS SERIES-ALUMINIUM HOUSED RESISTORS

2 FOR A SPECIFIC PN FOR A RESISTANCE VALUE AND TOLERANCE, PLEASE REFER TO DMF

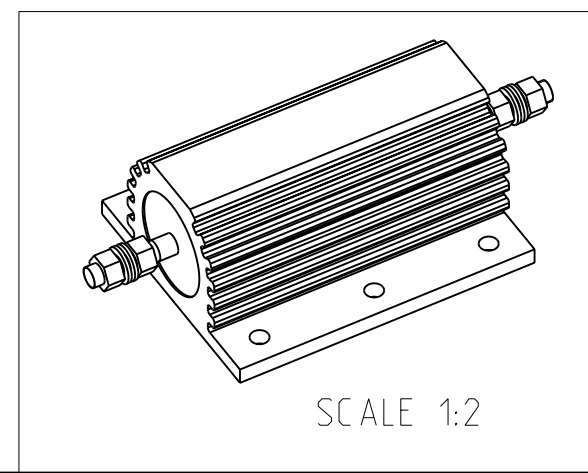
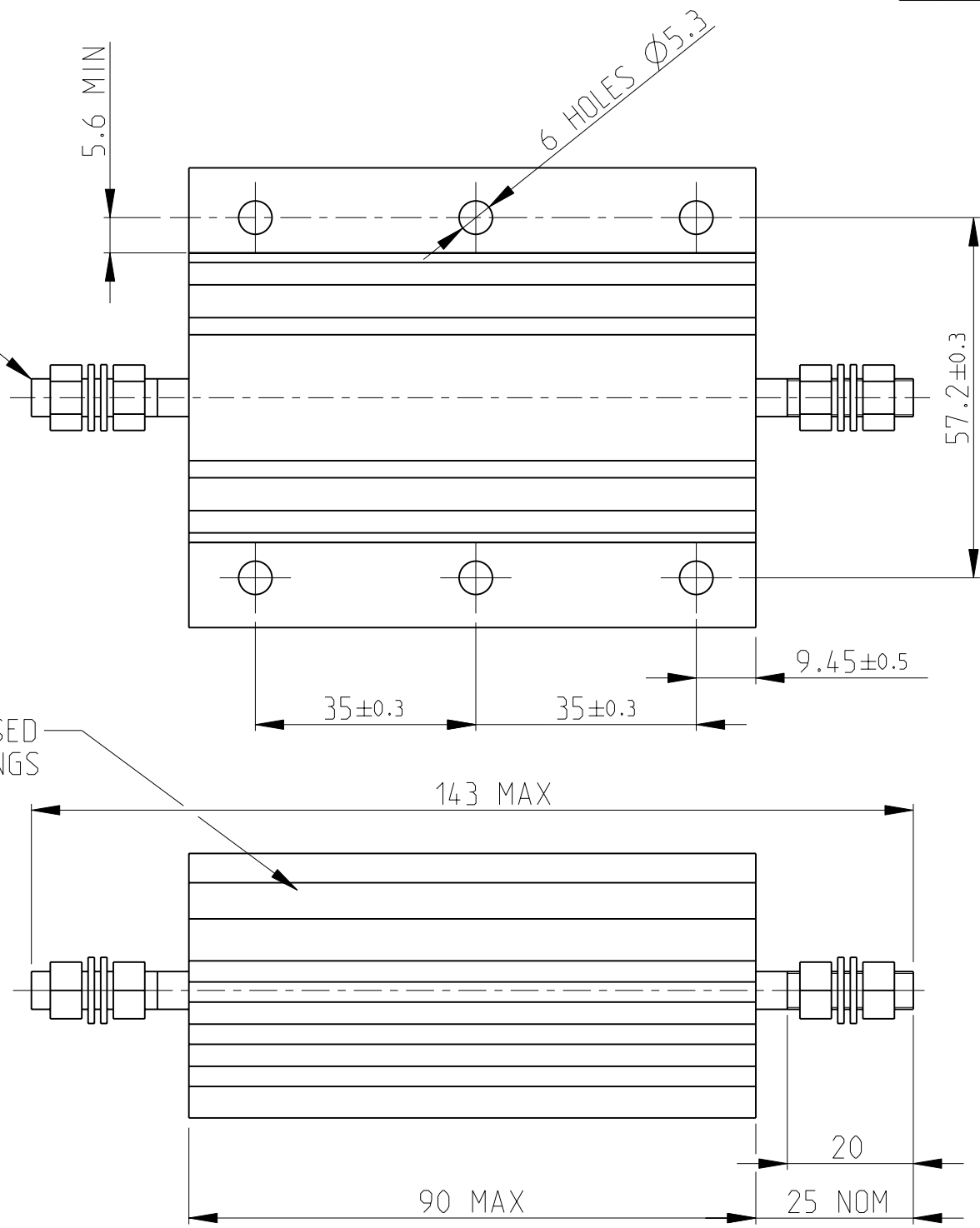
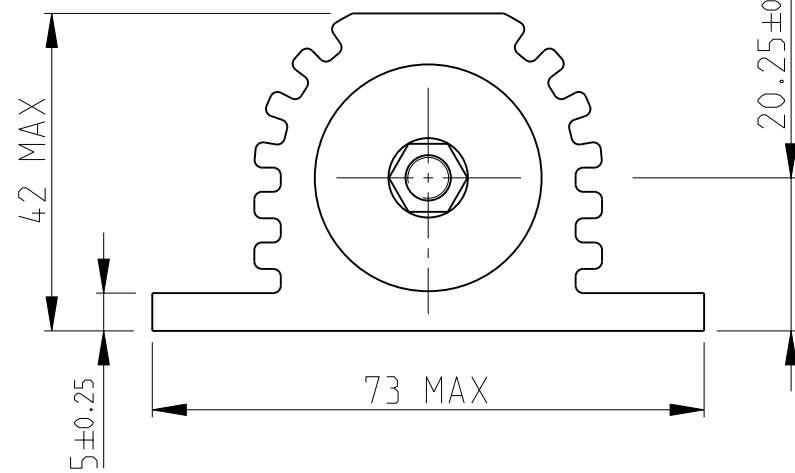
M6 ST/STEEL TERMINAL STUDS.
EACH SUPPLIED WITH:-
2 OFF M6 ST/STEEL FULL NUTS
2 OFF M6/STEEL PLAN WASHERS


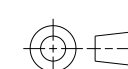
GOLD ANODISED
ALUMINIUM HOUSINGS

HSC200
ALUMINIUM HOUSED
POWER RESISTOR

RoHS Compliant

SCALE 1:2



THIS DRAWING IS A CONTROLLED DOCUMENT.		DWN	L LUONG	10.MAR.03	 TE Connectivity	NAME		HSC200 ALUMINIUM HOUSED POWER RESISTOR		
DIMENSIONS:		CHK	J CATCHPOLE	10.MAR.03		PRODUCT SPEC		SIZE	CAGE CODE	DRAWING NO
mm		APVD	J CATCHPOLE	10.MAR.03		APPLICATION SPEC		A3	00779	1630019
		TOLERANCES UNLESS OTHERWISE SPECIFIED:		FINISH		RESTRICTED TO		-		
		0 PLC ±0.5		-		WEIGHT		-		
		1 PLC ±0.2		-		CUSTOMER DRAWING		SCALE 1:1		
		2 PLC ±0.1		-		SCALE		1:1		
		3 PLC ±		-		SHEET		1 OF 1		
		4 PLC ±		-		REV		B2		
		ANGLES ±		±5°		REV		B2		
MATERIAL		FINISH		-		REV		B2		