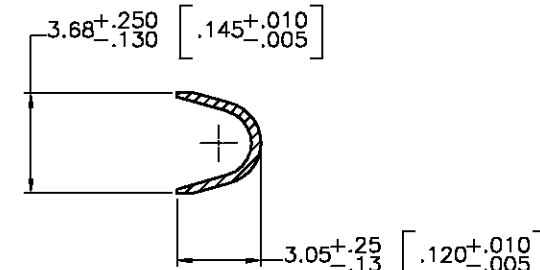
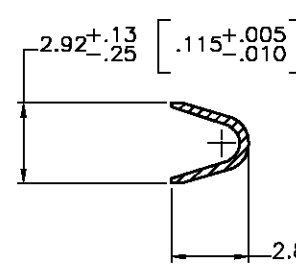
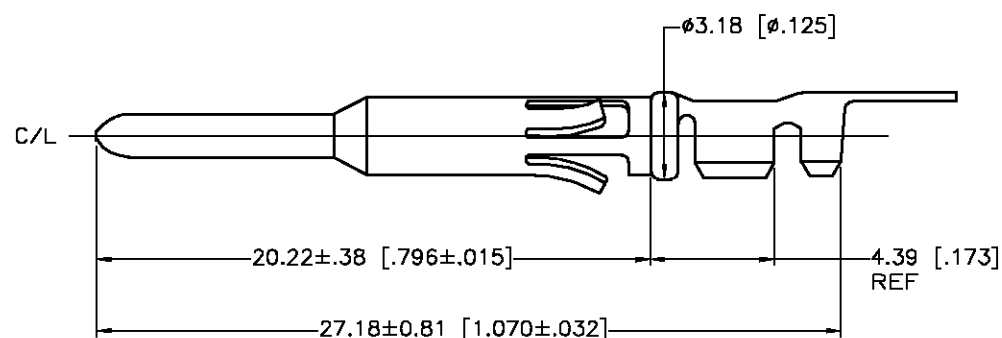
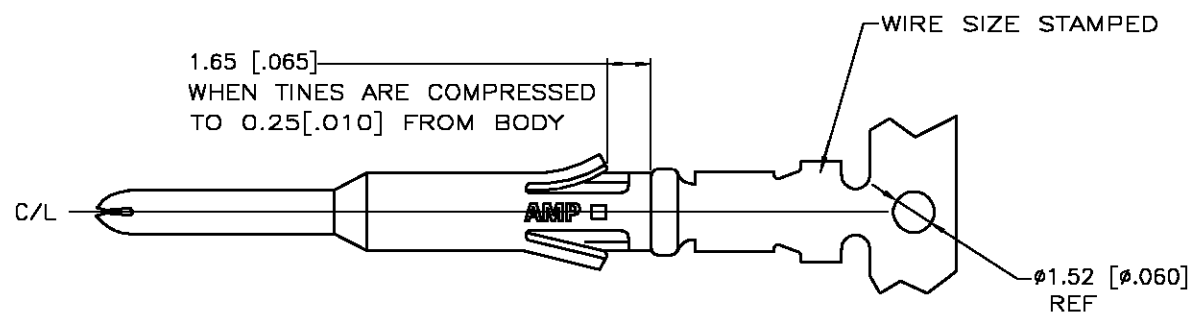


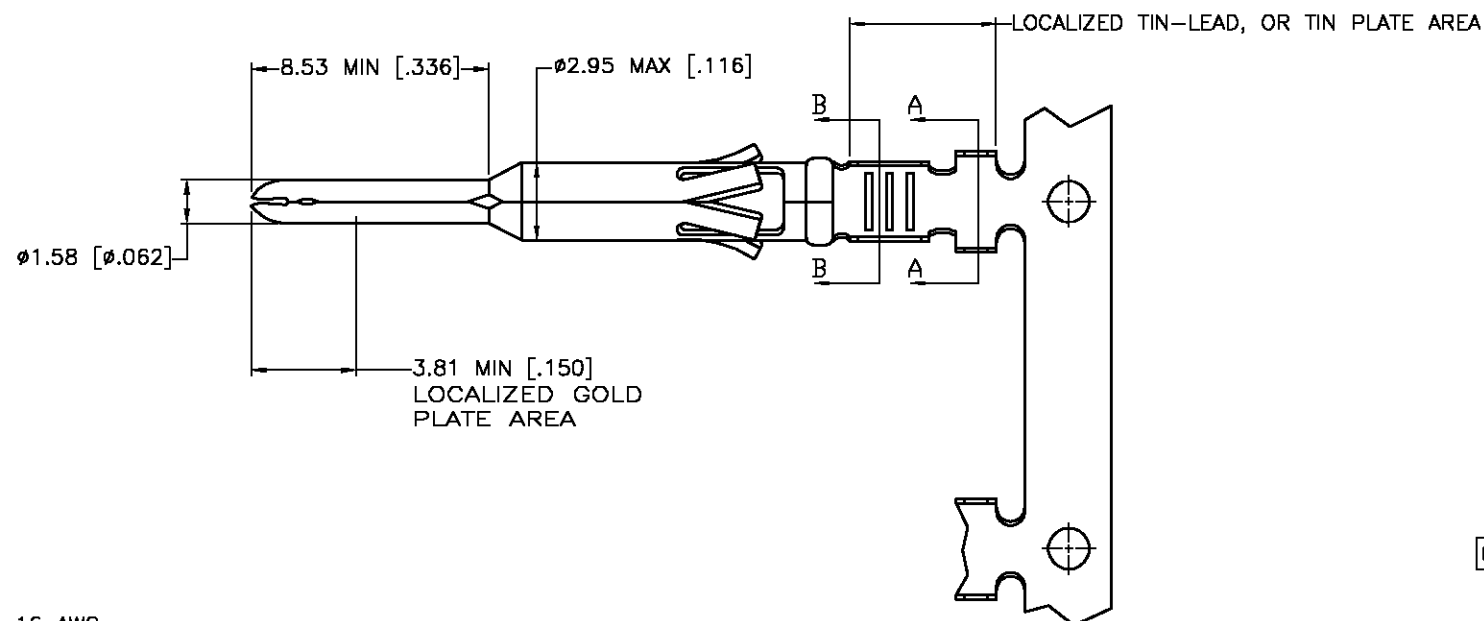
THIS DRAWING IS UNPUBLISHED. RELEASED FOR PUBLICATION
 © COPYRIGHT BY TYCO ELECTRONICS CORPORATION. ALL RIGHTS RESERVED.

LOC	DIST	REVISIONS			
P	LTR	DESCRIPTION	DATE	DWN	APVD
BD	39	G	REV PER EC 0G3B-0317-03	24APR03	VF GS



SECTION B-B

SECTION A-A



- WIRE RANGE 18-16 AWG.
- INSULATION RANGE 2.54-2.03 [.100-.080] DIA.
- FOR LOOSE PIECE PART SEE DWG 66589.
- $0.76 \mu\text{m}$ [.000030] MIN GOLD IN LOCALIZED GOLD PLATE AREA, $1.27 \mu\text{m}$ [.000050] MIN TIN-LEAD IN LOCALIZED TIN-LEAD PLATE AREA, BOTH OVER $1.27 \mu\text{m}$ [.000050] MIN NICKEL.
- TIN PLATED.
- $2.54 \mu\text{m}$ [.000100] MIN SILVER OVER $1.27 \mu\text{m}$ [.000050] MIN NICKEL.
- GOLD PLATING PER MIL-G-45204, SILVER PER QQ-S-365, TIN PER MIL-T-10727 AND NICKEL PER QQ-N-290.
- $0.76 \mu\text{m}$ [.000030] MIN GOLD IN LOCALIZED GOLD PLATE AREA, $1.27 \mu\text{m}$ [.000050] MIN TIN IN LOCALIZED TIN PLATE AREA, BOTH OVER $1.27 \mu\text{m}$ [.000050] MIN NICKEL.

REVERSE REELED FOR MINI-APPLICATOR	8	66579-7
-	8	66579-6
REVERSE REELED FOR MINI-APPLICATOR	4	66579-4
-	4	66579-3
REVERSE REELED FOR MINI-APPLICATOR	5	66579-2
-	5	66579-1
DESCRIPTION	FINISH	

OBSOLETE

THIS DRAWING IS A CONTROLLED DOCUMENT.

DIMENSIONS: MM [INCHES]	TOLERANCES UNLESS OTHERWISE SPECIFIED: 0 PLC ± - 1 PLC ± - 2 PLC ± 0.13 [.005] 3 PLC ± - 4 PLC ± - ANGLES ± -	DWN V. FURLER 14MAY2003		Tyco Electronics Corporation Harrisburg, PA 17105	
MATERIAL BRASS MIL-C-50	FINISH SEE TABLE	CHK G. STEINHAUER 16MAY03		NAME G. STEINHAUER 16MAY03	CONTACT, PIN, STRIP, TYPE VI, MULTIMATE
		PRODUCT SPEC -	APPLICATION SPEC -	SIZE A3	CAGE CODE 00779
		WEIGHT -	DRAWING NO C-66579		RESTRICTED TO -
CUSTOMER DRAWING			SCALE 8:5	SHEET 1 OF 1	REV G