

08084000 & 08084500 BATTERY DISCONNECT SWITCHES

250A-350A-500A • DPST • IP65/IP67/IP69K • M10-M12 Studs • Red Key



Specifications

| | |
|--------------------------------|---|
| Max Operating Voltage: | 24V DC |
| Max Continuous Current: | 08084000 & 08084300: 250A 08084200 & 08084500: 350A 08084100 & 08084400: 500A |
| Intermittent Current: | 08084000 & 08084300: 1000A x 10 Sec 08084200 & 08084500: 500A x 30 Sec 1000A x 10 Sec 08084100 & 08084400: 1500A x 10 Sec |
| Operating Temp: | -40 °C to +85 °C |
| Ingress Protection: | IP65/IP67/IP69K |
| Contacts: | Silver Plated Copper |
| Terminals: | M10 & M12 (nickel-plated brass nuts) |

Description

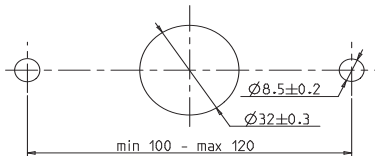
250A-350A-500A bipolar disconnect switch with fixed or removable handle. Modern design, made of high performance materials in terms of resistance to high temperatures, chemical and atmospheric agents. This battery master switch represents an evolution of our expertise and is also supplied in up to 500A DC version. In this range are present two models: from 08084000 to 08084200 without block in the key, also 08084300 to 08084500 with block in the key. It has IP67 water and dust protection and reaches 9K to withstand washing with a high pressure cleaner.

Features/Benefits

- Patented inner mechanism external body made with high performance plastic materials.
- Possibility to make the handle removable or fixed, locking it either OFF or ON position (Smartkey).
- up to 500A continuous current rating
- Waterproof and dustproof to IP65/IP67/IP69K

Mounting Diagram

There are no functionality issues related to installation



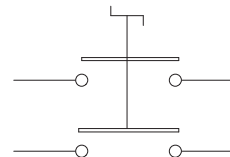
Applications

- Heavy Truck
- Off-Road
- Emergency Vehicles
- Material Handling
- Mining
- Agricultural
- Marine
- Construction

Web Resources

Download technical resources at:
littelfuse.com/ManualBatterySwitches

Electrical Diagram



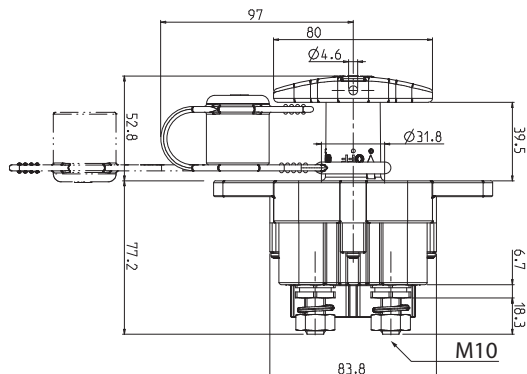
Ordering Information

| PART NUMBER | VOLTAGE | AMPERAGE | CIRCUITRY | MOUNTING | INGRESS | TERMINAL NUTS | NOTES |
|-------------|---------|----------|-----------|---------------|-----------------|-------------------------|-------------|
| 08084000 | 24V DC | 250A | DPST | Surface Mount | IP65/IP67/IP69K | M10 nickel-plated brass | |
| 08084100 | 24V DC | 500A | DPST | Surface Mount | IP65/IP67/IP69K | M12 nickel-plated brass | Silver pads |
| 08084200 | 24V DC | 350A | DPST | Surface Mount | IP65/IP67/IP69K | M12 nickel-plated brass | |
| 08084300 | 24V DC | 250A | DPST | Surface Mount | IP65/IP67/IP69K | M10 nickel-plated brass | |
| 08084400 | 24V DC | 500A | DPST | Surface Mount | IP65/IP67/IP69K | M12 nickel-plated brass | Silver pads |
| 08084500 | 24V DC | 350A | DPST | Surface Mount | IP65/IP67/IP69K | M12 nickel-plated brass | |

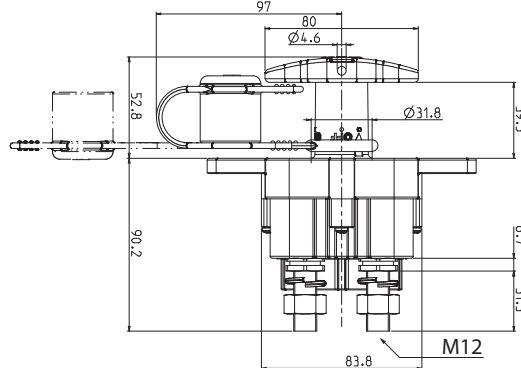
08084000 & 08084500 BATTERY DISCONNECT SWITCHES

Dimensions in millimeters

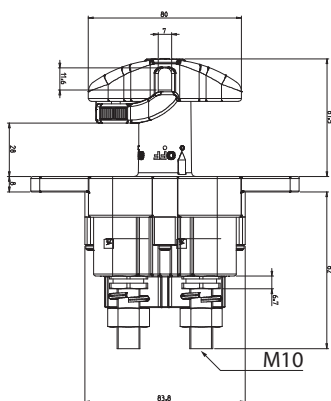
08084000



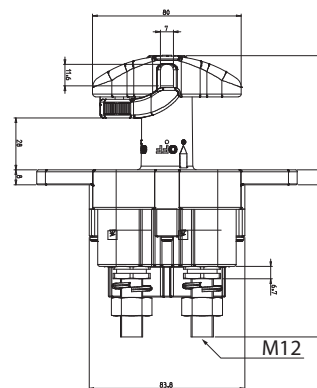
08084100 - 08084200



08084300



08084400 - 08084500

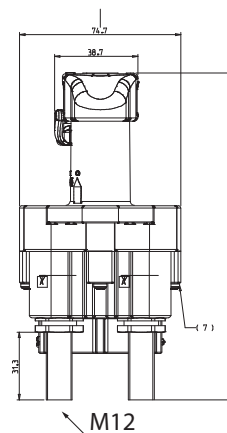
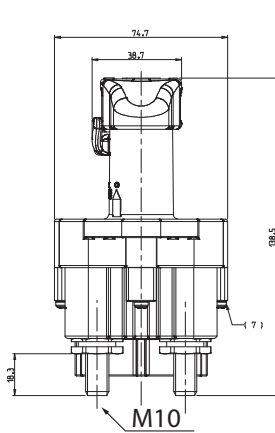
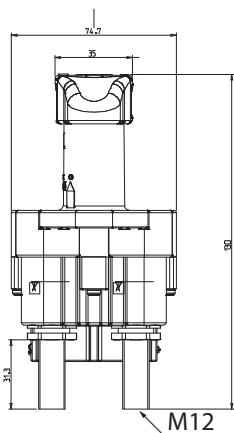
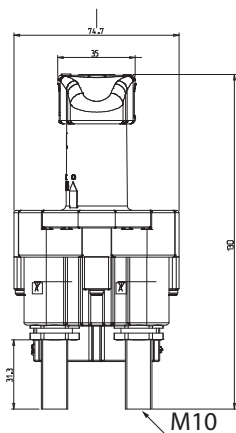


08084000

08084100 - 08084200

08084300

08084400 - 08084500



Visit Littelfuse.com for the most up-to-date product information. Littelfuse reserves the right to make product changes, without notice. Material in this document is as accurate as known at the time of publication.