

## 08084000 & 08084500 BATTERY DISCONNECT SWITCHES

250A-350A-500A • DPST • IP65/IP67/IP69K • M10-M12 Studs • Red Key



### Specifications

<b>Max Operating Voltage:</b>	24V DC
<b>Max Continuous Current:</b>	<b>08084000 &amp; 08084300:</b> 250A <b>08084200 &amp; 08084500:</b> 350A <b>08084100 &amp; 08084400:</b> 500A
<b>Intermittent Current:</b>	<b>08084000 &amp; 08084300:</b> 1000A x 10 Sec <b>08084200 &amp; 08084500:</b> 500A x 30 Sec 1000A x 10 Sec <b>08084100 &amp; 08084400:</b> 1500A x 10 Sec
<b>Operating Temp:</b>	-40 °C to +85 °C
<b>Ingress Protection:</b>	IP65/IP67/IP69K
<b>Contacts:</b>	Silver Plated Copper
<b>Terminals:</b>	M10 & M12 (nickel-plated brass nuts)

### Description

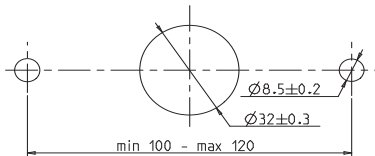
250A-350A-500A bipolar disconnect switch with fixed or removable handle. Modern design, made of high performance materials in terms of resistance to high temperatures, chemical and atmospheric agents. This battery master switch represents an evolution of our expertise and is also supplied in up to 500A DC version. In this range are present two models: from 08084000 to 08084200 without block in the key, also 08084300 to 08084500 with block in the key. It has IP67 water and dust protection and reaches 9K to withstand washing with a high pressure cleaner.

### Features/Benefits

- Patented inner mechanism external body made with high performance plastic materials.
- Possibility to make the handle removable or fixed, locking it either OFF or ON position (Smartkey).
- up to 500A continuous current rating
- Waterproof and dustproof to IP65/IP67/IP69K

### Mounting Diagram

There are no functionality issues related to installation



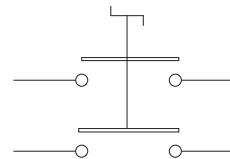
### Applications

- Heavy Truck
- Off-Road
- Emergency Vehicles
- Material Handling
- Mining
- Agricultural
- Marine
- Construction

### Web Resources

Download technical resources at:  
[littelfuse.com/ManualBatterySwitches](http://littelfuse.com/ManualBatterySwitches)

### Electrical Diagram



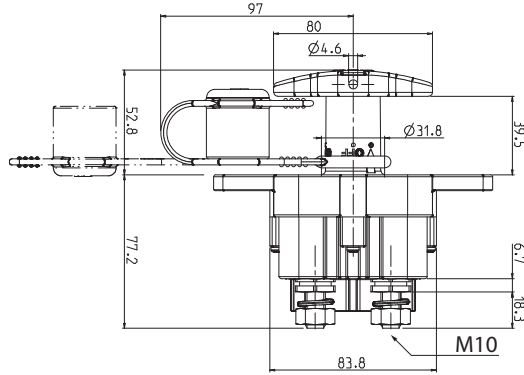
### Ordering Information

PART NUMBER	VOLTAGE	AMPERAGE	CIRCUITRY	MOUNTING	INGRESS	TERMINAL NUTS	NOTES
08084000	24V DC	250A	DPST	Surface Mount	IP65/IP67/IP69K	M10 nickel-plated brass	
08084100	24V DC	500A	DPST	Surface Mount	IP65/IP67/IP69K	M12 nickel-plated brass	Silver pads
08084200	24V DC	350A	DPST	Surface Mount	IP65/IP67/IP69K	M12 nickel-plated brass	
08084300	24V DC	250A	DPST	Surface Mount	IP65/IP67/IP69K	M10 nickel-plated brass	
08084400	24V DC	500A	DPST	Surface Mount	IP65/IP67/IP69K	M12 nickel-plated brass	Silver pads
08084500	24V DC	350A	DPST	Surface Mount	IP65/IP67/IP69K	M12 nickel-plated brass	

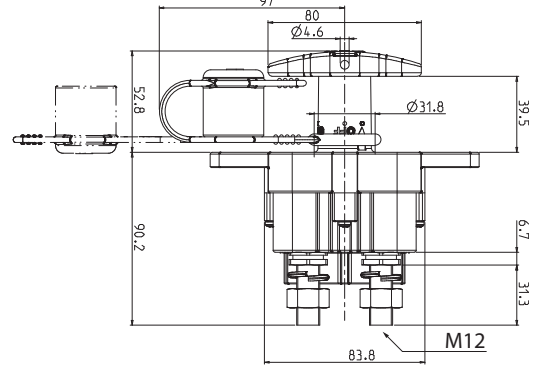
# 08084000 & 08084500 BATTERY DISCONNECT SWITCHES

## Dimensions in millimeters

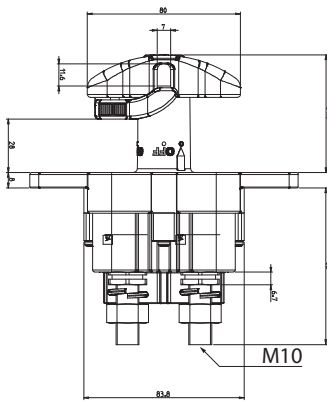
**08084000**



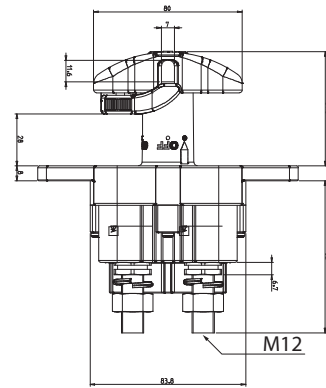
**08084100 - 08084200**



**08084300**



**08084400 - 08084500**

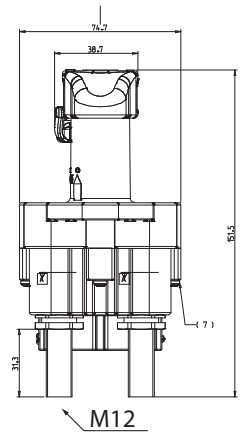
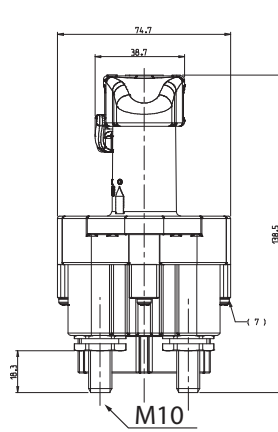
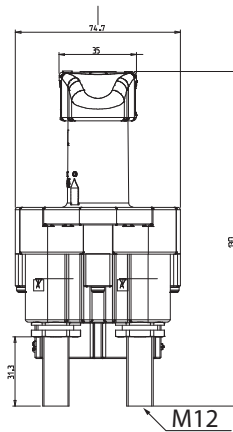
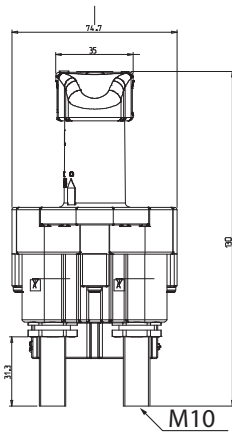


**08084000**

**08084100 - 08084200**

**08084300**

**08084400 - 08084500**



Visit [Littelfuse.com](http://Littelfuse.com) for the most up-to-date product information. Littelfuse reserves the right to make product changes, without notice. Material in this document is as accurate as known at the time of publication.