

THIS DRAWING IS UNPUBLISHED. RELEASED FOR PUBLICATION
 © COPYRIGHT BY TYCO ELECTRONICS CORPORATION. ALL RIGHTS RESERVED.

| LOC | | DIST | | REVISIONS | | | | |
|-----|-----|--------------|--|-----------|---------|-----|------|--|
| P | LTR | DESCRIPTION | | | DATE | DWN | APVD | |
| | C | 0G3C-0588-03 | | | 14MAR07 | BSV | MS | |

SPECIFICATIONS:

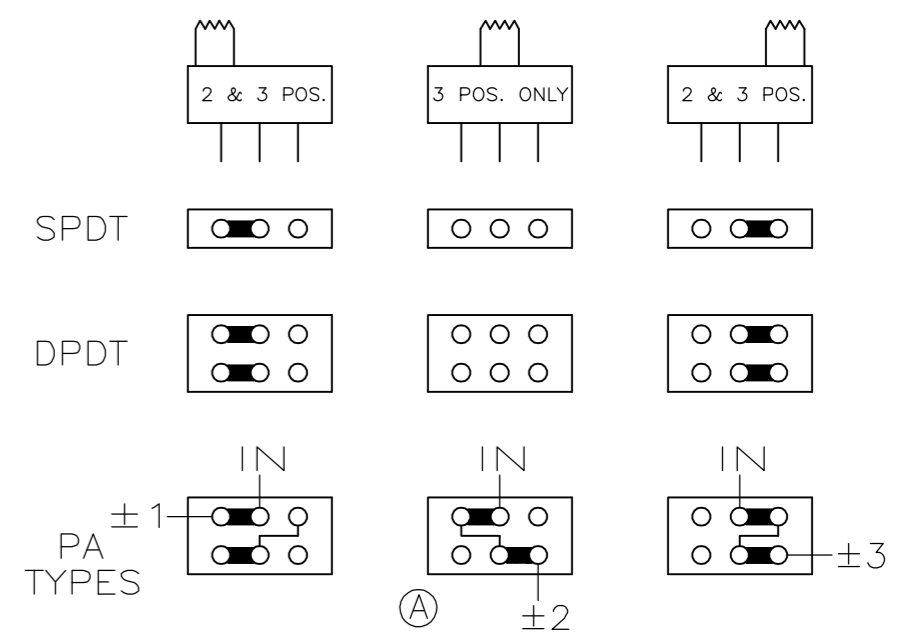
MATERIALS:
 CONTACTS: COPPER WITH GOLD PLATE OVER NICKEL PLATE.
 CASE: HIGH TEMPERATURE POLYESTER, 94V-0.
 SLIDER: POLYESTER.

ELECTRICAL:
 CONTACT RATING: 0.4 VA MAX. 20V MAX. (AC/DC).
 CONTACT RESISTANCE: 40m_Ω MAX @ 100 mV/100 mA
 DIELECTRIC STRENGTH: 1000 VOLTS RMS @ SEA LEVEL.
 INSULATION RESISTANCE: 1000 MEGOHMS @ 500 VDC.
 LIFE: 60,000 - 80,000 CYCLES.

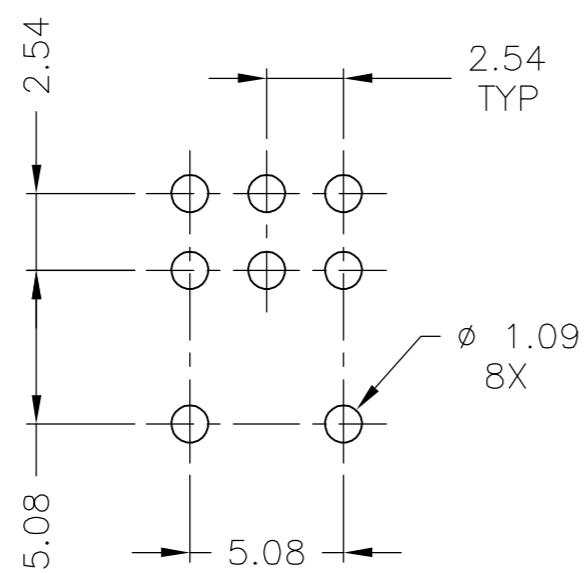
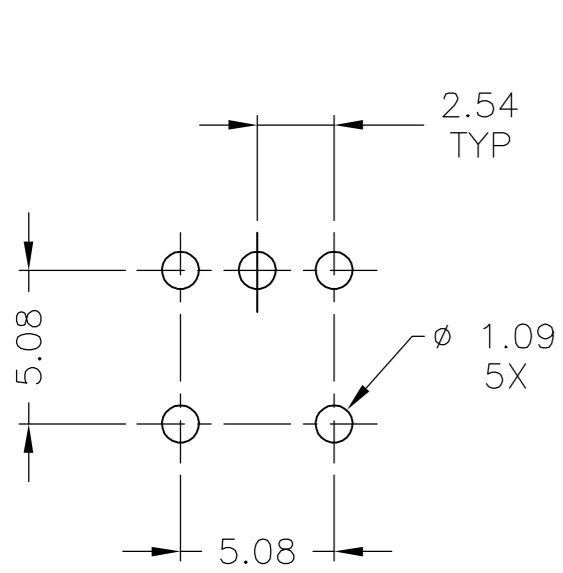
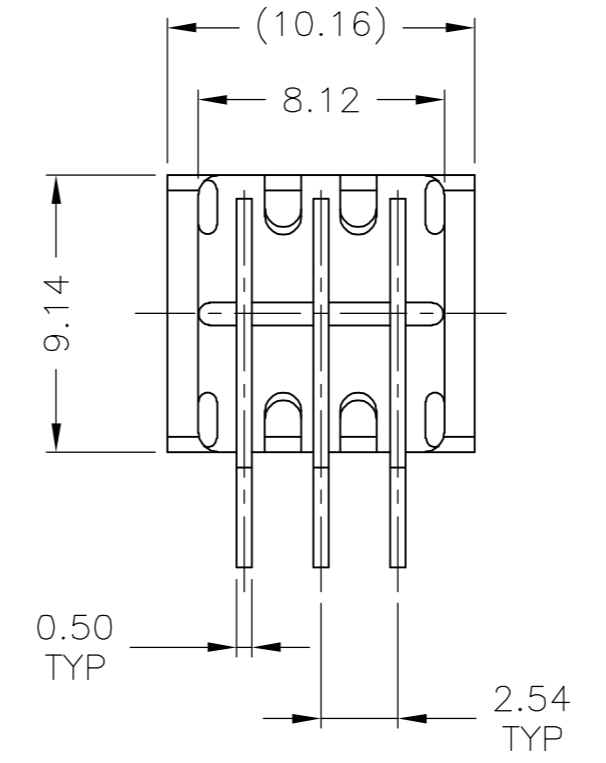
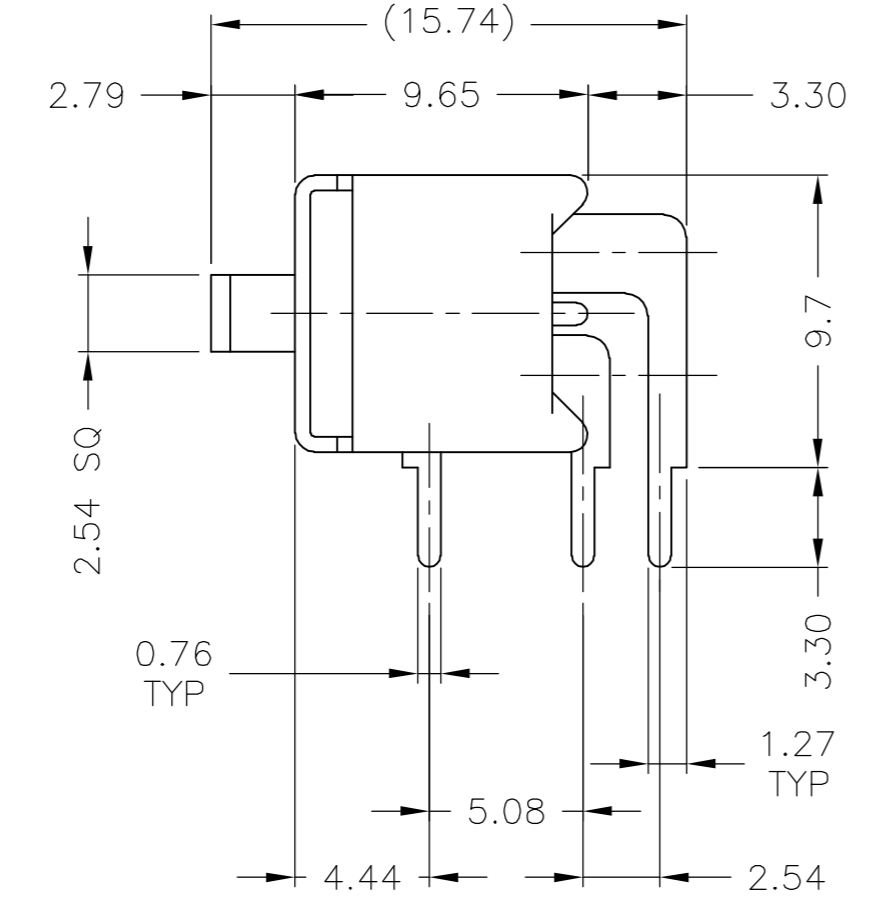
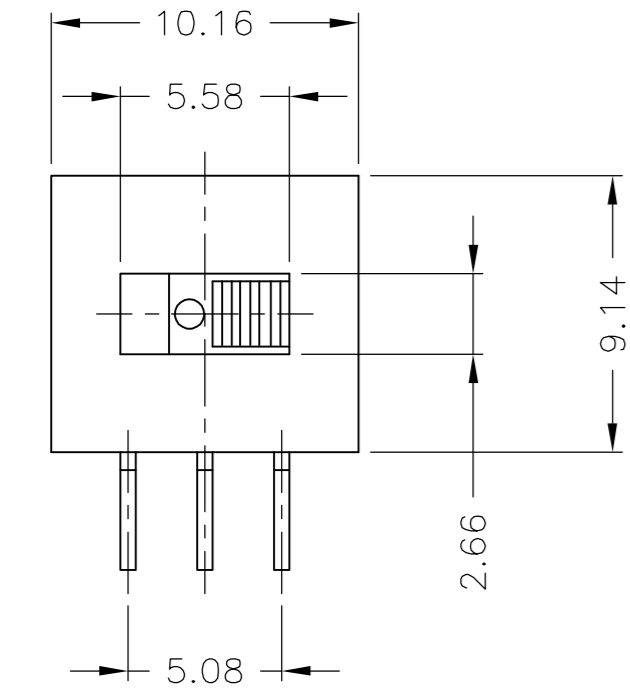
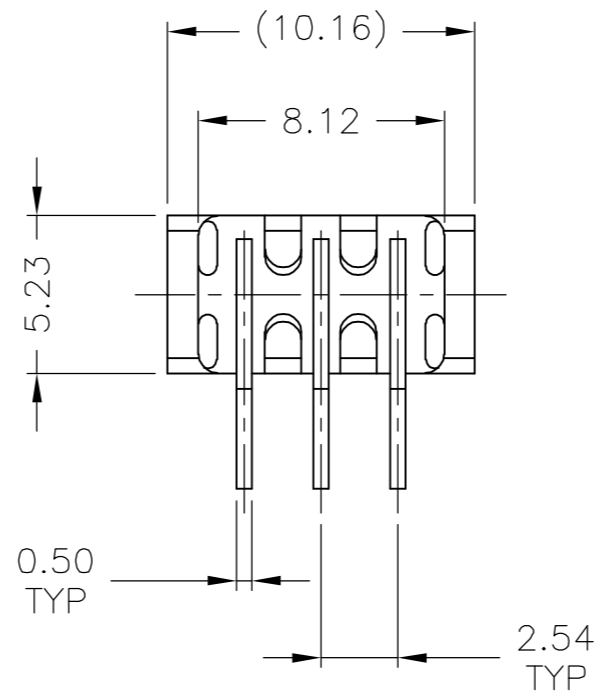
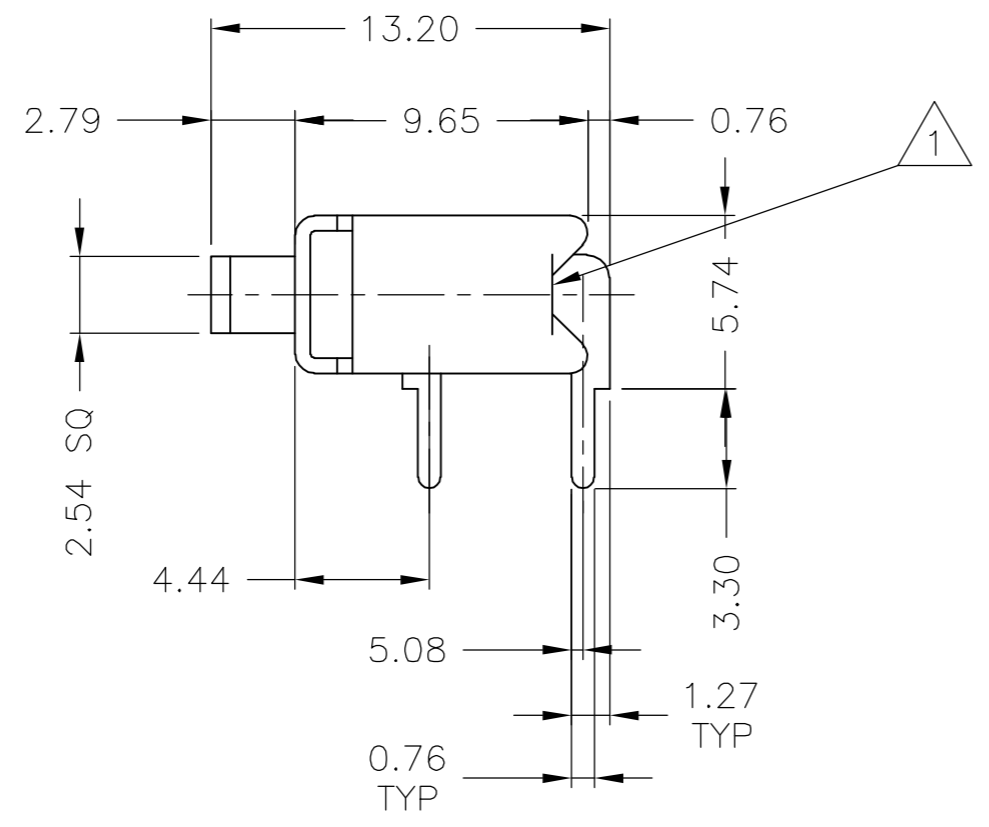
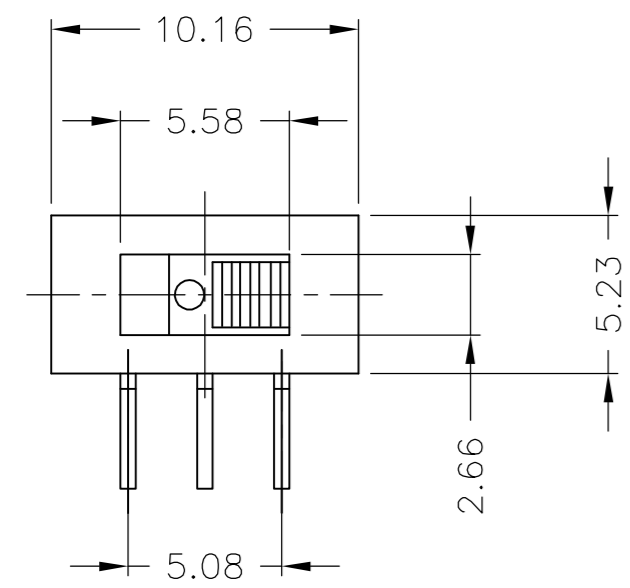
ENVIRONMENTAL:
 OPERATING TEMPERATURE: -20°C TO +80°C (-4°F TO +176°F).
 STORAGE: -20°C TO +80°C (-4°F TO +176°F).

NOTES:

- 1. EPOXY SEAL - 2-1437579-9 ONLY.
- 2. SOLDERABILITY PER EIA 364-52 CLASS 2 CATEGORY 1



| TYCO PT. NO. | MODEL NO. | TYPE | POSN | ACTION |
|--------------|-------------|------|------|------------|
| 1-1437579-1 | TSS11DG-RA | SPDT | 2 | ON-NONE-ON |
| 1-1437579-5 | TSS11EG-RA | SPDT | 3 | ON-OFF-ON |
| 2-1437579-0 | TSS21NG-RA | DPDT | 2 | ON-NONE-ON |
| 2-1437579-4 | TSS21PG-RA | DPDT | 3 | ON-OFF-ON |
| - | TSS21PAG-RA | DPDT | 3 | ON-ON-ON |
| 2-1437579-9 | TSS70932 | SPDT | 2 | ON-NONE-ON |



PC CUTOUT FOR SP

PC CUTOUT FOR DP

THIS DRAWING IS A CONTROLLED DOCUMENT.

| | | | | |
|-----------------------------|--|--------------------------|---|-----------------|
| DIMENSIONS: mm | TOLERANCES UNLESS OTHERWISE SPECIFIED: | DWN R. SWEENEY 13NOV1978 | tyco Tyco Electronics Corporation Harrisburg, Pa 17105-3808 | |
| | 0 PLC ± - | CHK M SARVER 19APR04 | NAME | |
| | 1 PLC ± - | APVD M SARVER 19APR04 | PRODUCT SPEC | |
| | 2 PLC ± - | APPLICATION SPEC | SIZE A2 | CAGE CODE 00779 |
| | 3 PLC ± .010 | WEIGHT - | DRAWING NO C=1-1437579-1 | RESTRICTED TO |
| | 4 PLC ± - | CUSTOMER DRAWING | SCALE 4:1 | SHEET 1 OF 1 |
| MATERIAL SEE SPECIFICATIONS | FINISH SEE SPECIFICATIONS | | REV C | |

1-1437579-1