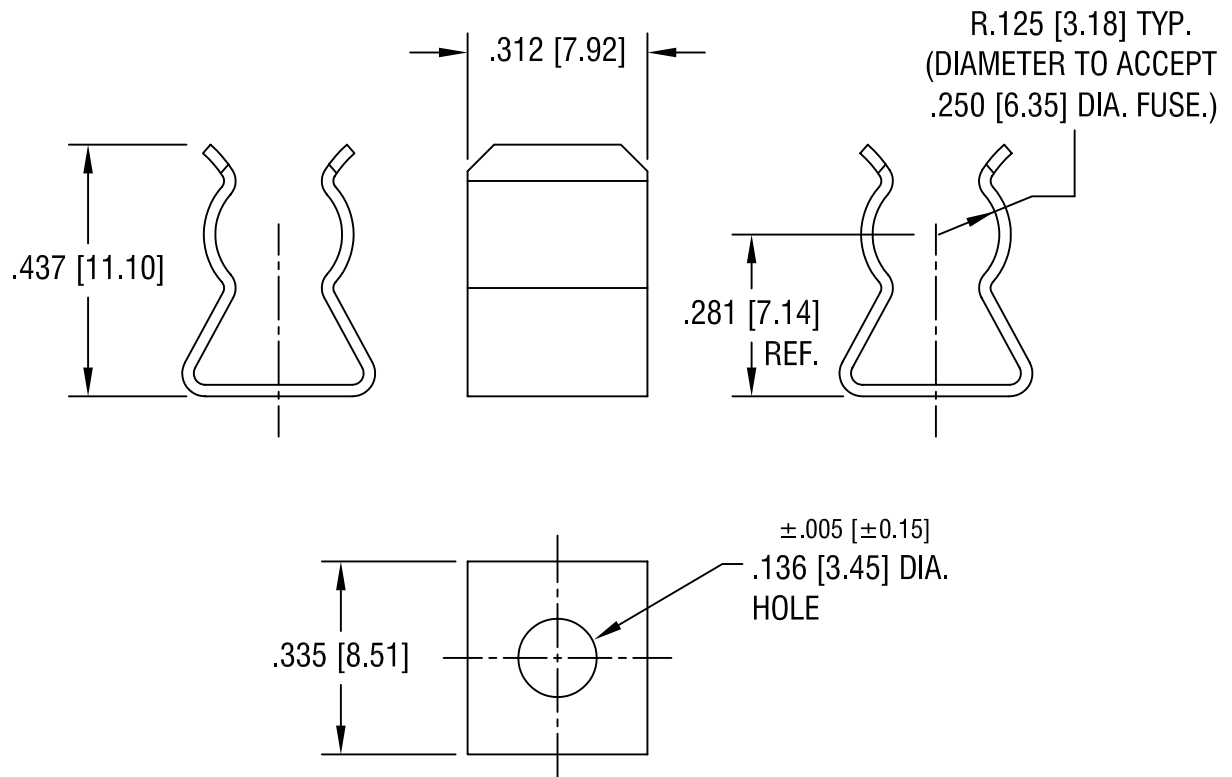


THIS DOCUMENT IS THE PROPERTY OF  
KEYSTONE ELECTRONICS CORP. AND  
SHALL NOT BE REPRODUCED, DISTRIBUTED  
OR USED AS A BASIS FOR MANUFACTURE  
WITHOUT PRIOR WRITTEN PERMISSION  
FROM KEYSTONE ELECTRONICS CORP.



<b>KEYSTONE ELECTRONICS CORP.</b>			
ASTORIA, N.Y. 11105-2017			
PART NAME			
3AG FUSE CLIP			
MATERIAL			
.020 [0.50] TH'K BRASS			
FINISH		DRN BY	DATE
NICKEL PLATE		BOONE	10.5.00
		APPD	SCALE
		LN	3X
TOLERANCES	INCH	[MM]	CODE
DECIMAL	$\pm .010$	$[\pm 0.25]$	C
ANGULAR	$\pm 1^\circ$		
UNLESS OTHERWISE SPECIFIED			DWG NO.
			<b>3567</b>

DATE	DESCRIPTION	REV.