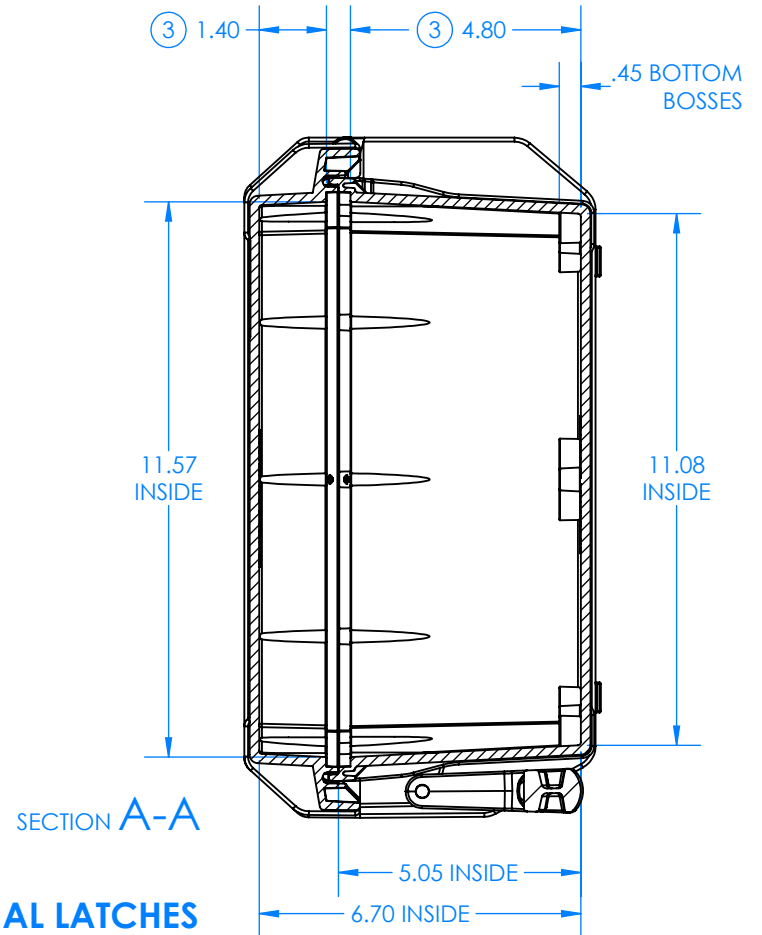
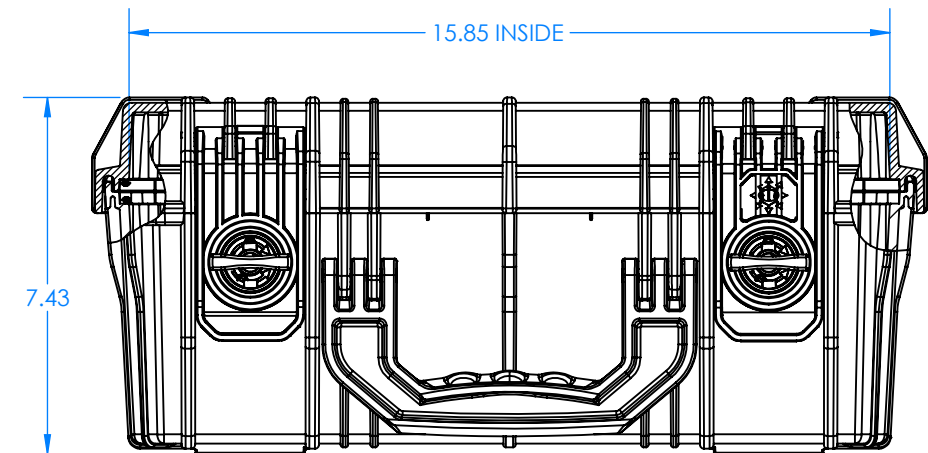
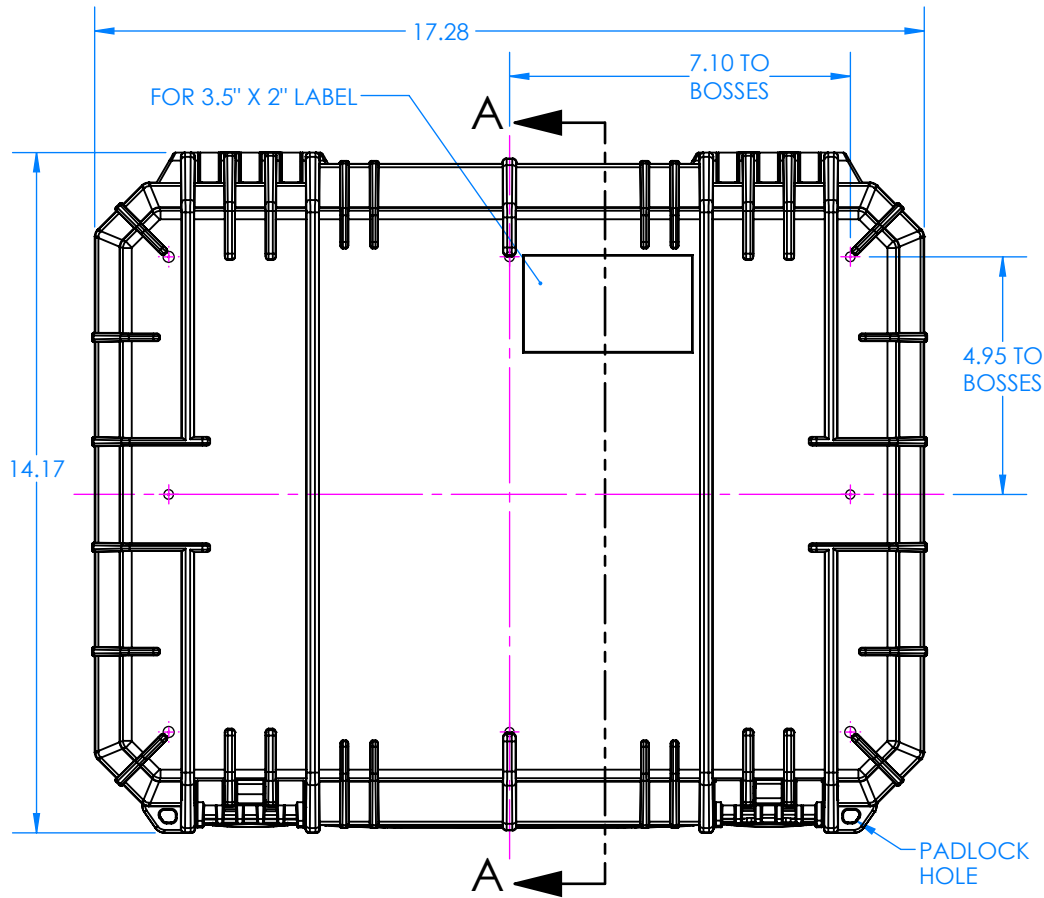
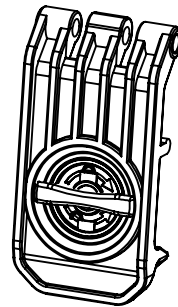


SERPAC 630

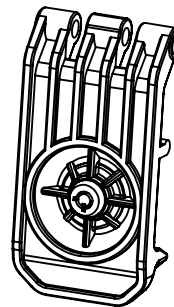
Electronic Enclosures



OPTIONAL LATCHES



PL
PLASTIC LOCK



ML
METAL LOCK

NOTES:

- 1) Maximum usable inside dimensions are:
15 13/16" X 11 5/8" X 6 11/16" (6 1/4" top of boss)
Dimensions are approximate.
- 2) Bosses on bottom use a 1/4" self tapping screw.
- 3) Dimensions to bottom of panel flange.
- 4) Optional latches available.