

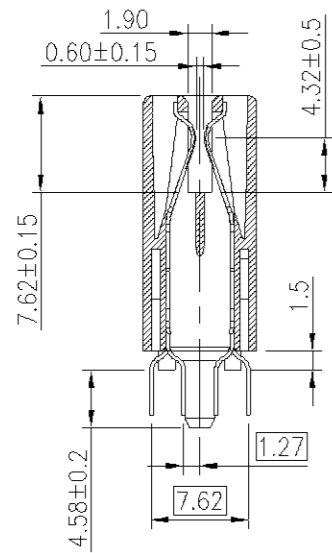
NUMBER  
C-1834001

METRIC  
3RD ANGLE PROJECTION

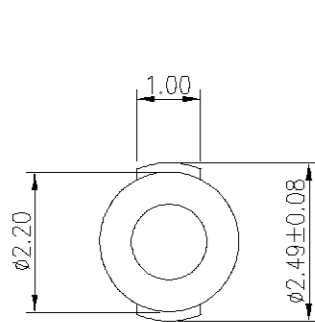
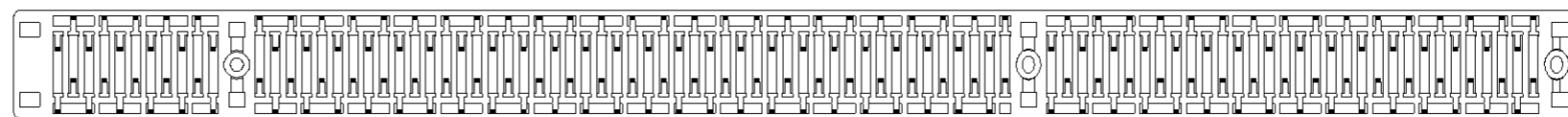
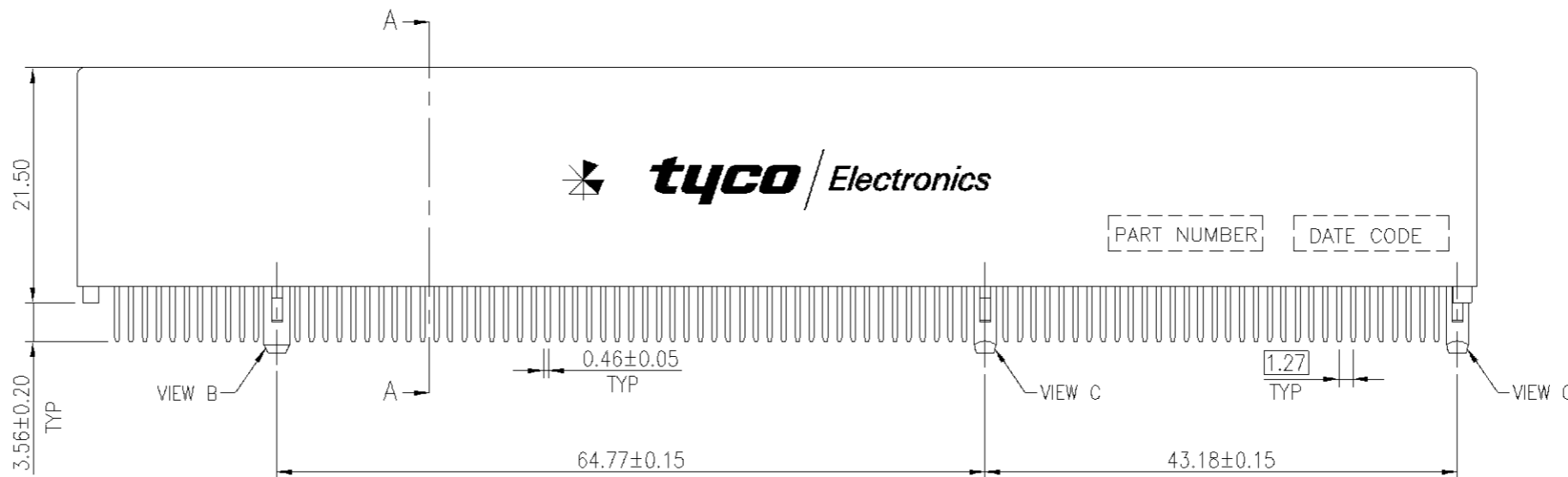
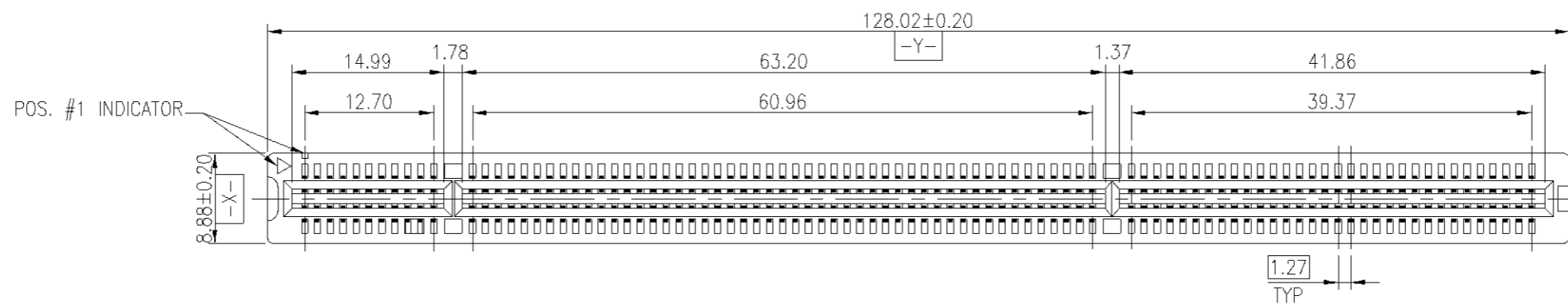
METRIC

THIS INFORMATION IS CONFIDENTIAL AND IS DISCLOSED TO YOU ON CONDITION THAT NO FURTHER DISCLOSURE IS MADE BY YOU TO OTHER THAN AMP PERSONNEL WITHOUT WRITTEN AUTHORIZATION FROM AMP (TAIWAN) LTD. DIMENSIONS IN MILLIMETERS. DO NOT SCALE PRINT.

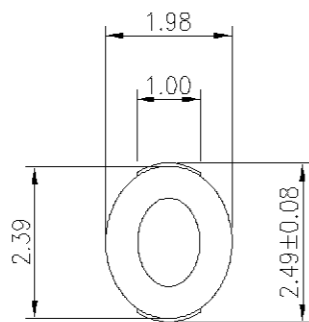
PRINT  
DW



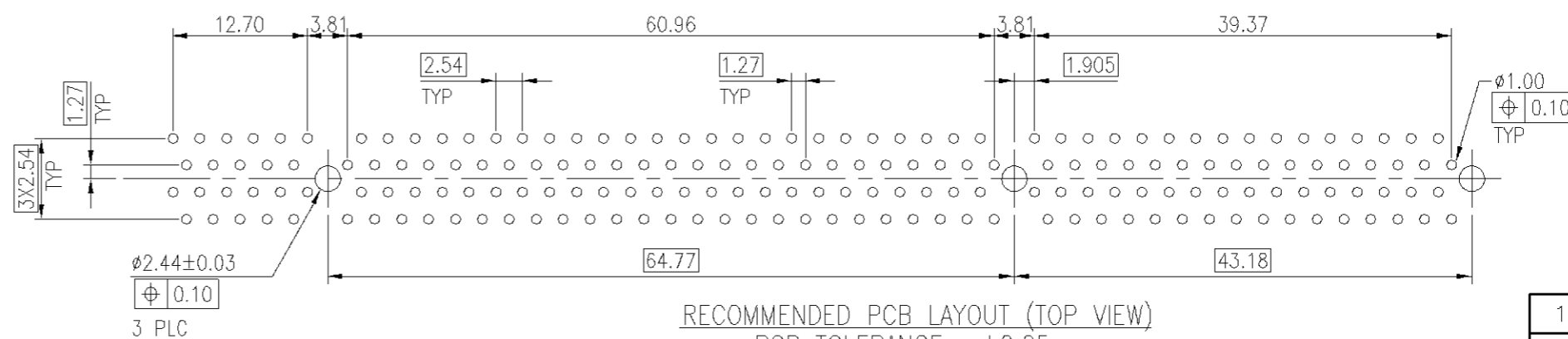
SECTION A-A



VIEW B SCALE 5 : 1



VIEW C SCALE 5 : 1



RECOMMENDED PCB LAYOUT (TOP VIEW)  
PCB TOLERANCE : ±0.05

NOTES:  
ROHS 2002/95/EC COMPLIANT

- MATERIALS:  
HOUSING: NYLON 46, UL 94V-0, COLOR: NATURAL.  
CONTACT: PHOSPHOR BRONZE.
- FINISH:  
30u" MIN GOLD PLATING ON CONTACT AREA.  
100u" MIN TIN PLATING ON SOLDER TAILS.  
50u" MIN NICKEL UNDERPLATED OVER ALL.
- APPLY TO WAVE/RELOW SOLDERING PROCESS.

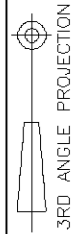
O	FIRST RELEASED	FZ00-0002-05	JL SH	07-JAN 2005
LTR	REVISION RECORD	ECN	DWN CHK	DATE

TOLERANCES UNLESS OTHERWISE SPECIFIED:		DWN	J. LEE	TYCO HOLDINGS (BERMUDA) VII LTD. TAIWAN BRANCH	
0 PLC	±0.40	07-JAN-2005	S. HOU		
1 PLC	±0.30	CHK	07-JAN-2005	NAME CONNECTOR ASS'Y, PCI, EXTENDED, 184 POSITION, .050 SERIES.	
2 PLC	±0.20	MATERIAL	W.J. KE		
3 PLC	±0.10	SEE NOTE	07-JAN-2005	LOC DW A <sub>3</sub> C-1834001 REV O	
ANGLES	±3'	FINISH	SEE NOTE		
		APVD	108-57496	SCALE	SHEET 1 OF 3
		PRODUCT SPEC	501-57570	CUSTOMER DRAWING	
		QUALIFICATION TEST REPORT	WEIGHT		

1834001-1  
PART NUMBER

8 7 6 5 4 3 2 1

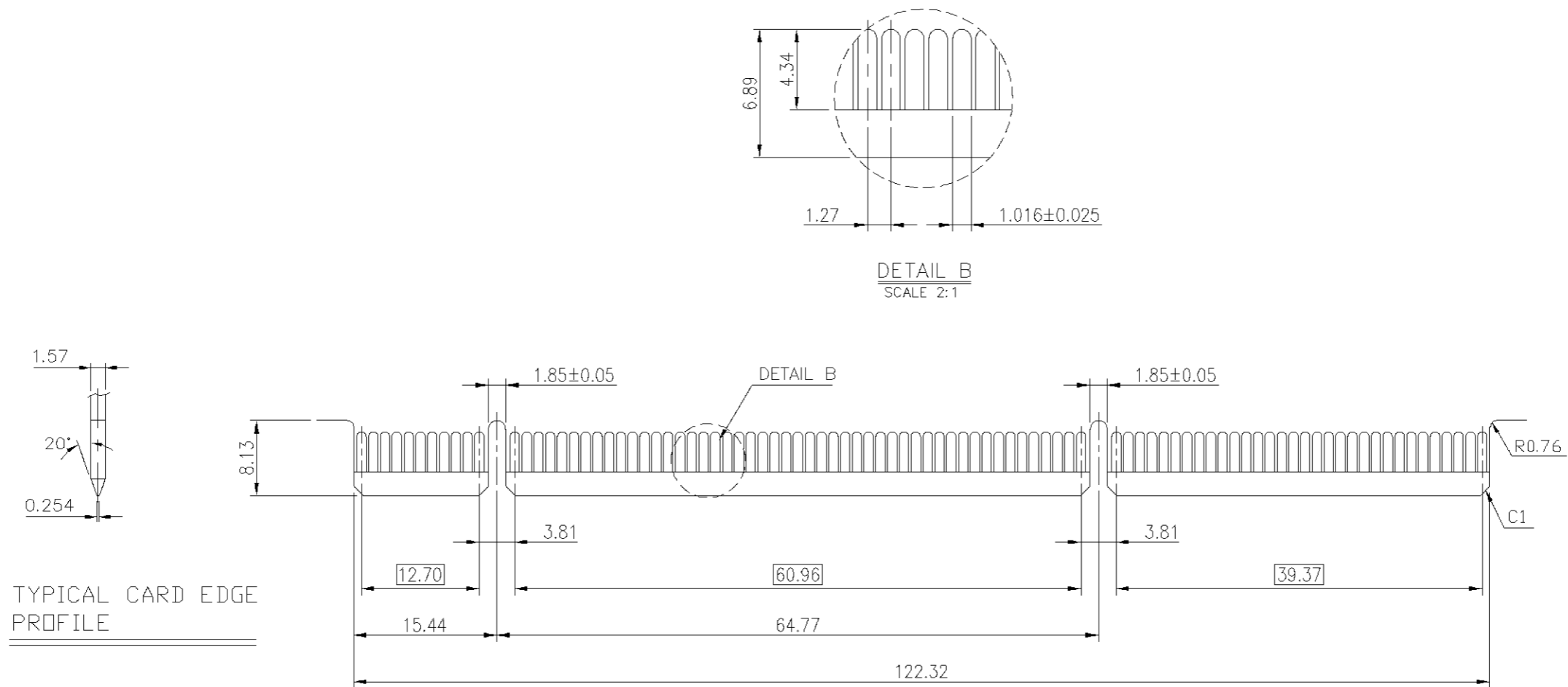
NUMBER  
C-1834001



METRIC

THIS INFORMATION IS CONFIDENTIAL AND IS DISCLOSED TO YOU ON CONDITION THAT NO FURTHER DISCLOSURE IS MADE BY YOU TO OTHER THAN AMP PERSONNEL WITHOUT WRITTEN AUTHORIZATION FROM AMP (TAIWAN) LTD. DIMENSIONS IN MILLIMETERS. DO NOT SCALE PRINT.

PRINT DIST  
DW



RECOMMENDED MATING COMPONENT BOARD

TOLERANCES UNLESS OTHERWISE SPECIFIED: 0 PLC ±0.40 1 PLC ±0.30 2 PLC ±0.20 3 PLC ±0.10 ANGLES ±3'		DWN J. LEE 07-JAN-2005	<b>tyco</b> TYCO HOLDINGS (BERMUDA) <b>Electronics</b> VII LTD. TAIWAN BRANCH	
MATERIAL SEE NOTE		CHK S. HOU 07-JAN-2005	NAME CONNECTOR ASS'Y, PCI, EXTENDED, 184 POSITION, .050 SERIES.	
FINISH SEE NOTE		APVD W.J. KE 07-JAN-2005	LOC DW	SIZE A <sub>3</sub>
		PRODUCT SPEC -	DRAWING NO C-1834001	REV 0
		QUALIFICATION TEST REPORT -	SCALE --	SHEET 2 OF 3
		WEIGHT /		

SEE SHEET 1	ECN	DWN	CHK	DATE
LTR	REVISION RECORD			

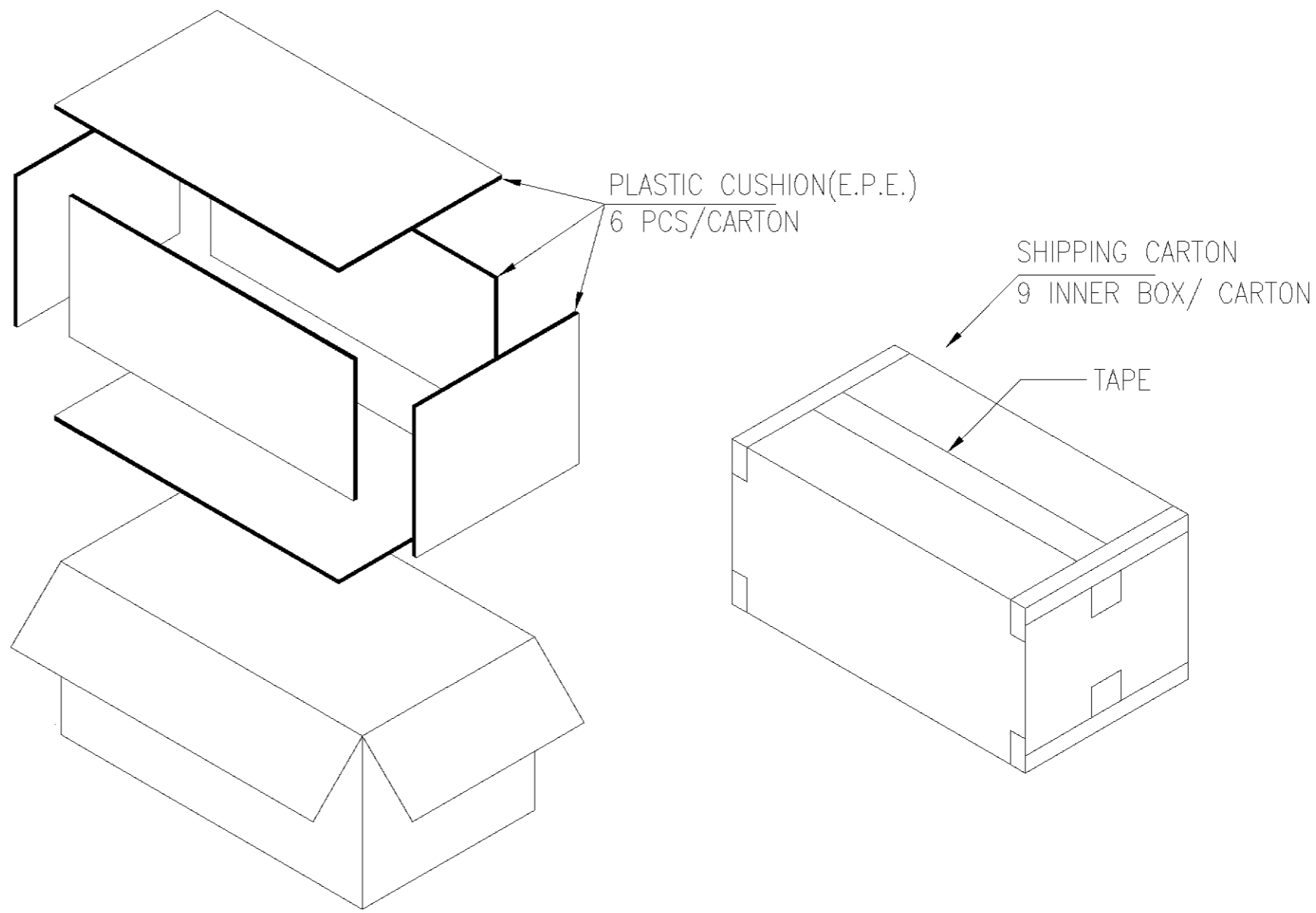
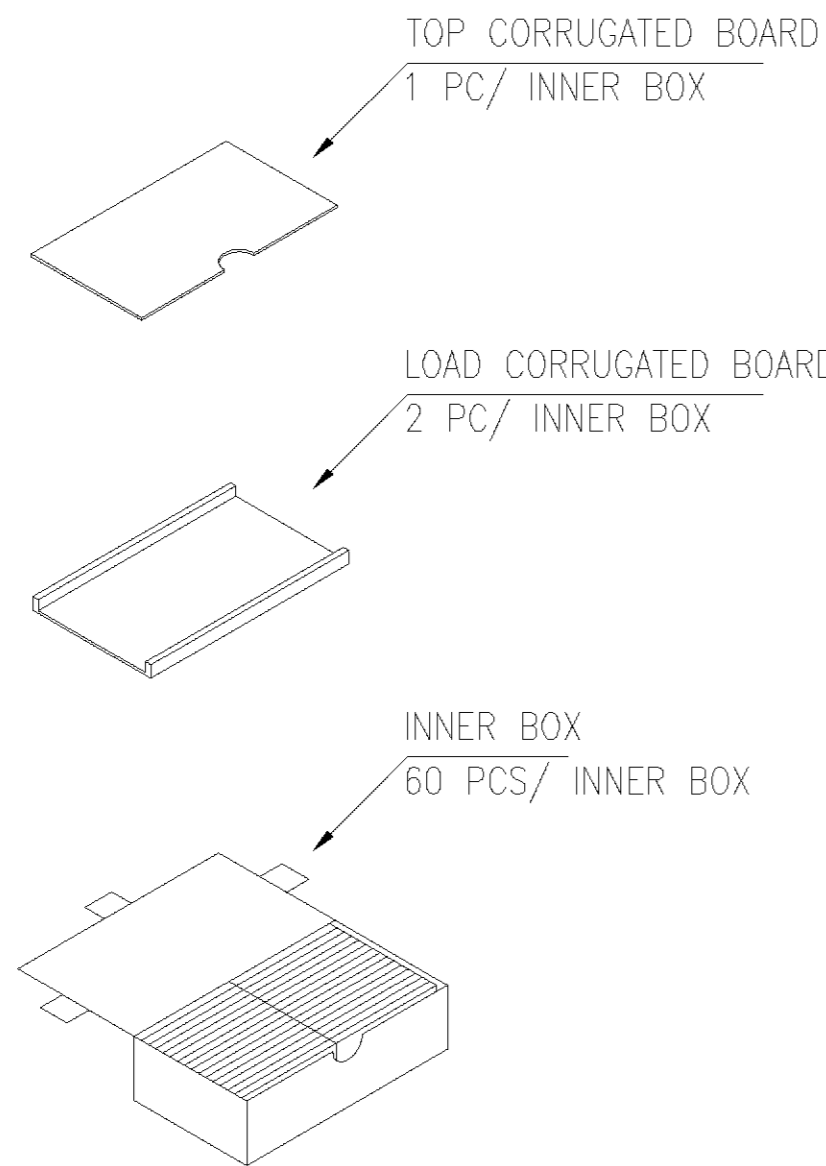
NUMBER  
C-1834001



METRIC

THIS INFORMATION IS CONFIDENTIAL AND IS DISCLOSED TO YOU ON CONDITION THAT NO FURTHER DISCLOSURE IS MADE BY YOU TO OTHER THAN AMP PERSONNEL WITHOUT WRITTEN AUTHORIZATION FROM AMP (TAIWAN) LTD. DIMENSIONS IN MILLIMETERS. DO NOT SCALE PRINT.

PRINT  
DW



NOTES:

1. TOP CORRUGATED PLATE SIZE: 253mm(L)X 143mm(W)X 3mm(H)
2. LOAD CORRUGATED PLATE SIZE: 256mm(L)X 153mm(W)X 15mm(H)
3. BOX SIZE: 266mm(L)X 145mm(W)X 65mm(H)
4. CARTON SIZE: 486mm(L)X 313mm(W)X 246mm(H)
5. NET WEIGHT: 12.8KG.
6. GROSS WEIGHT: 16kg/CARTON.

TOLERANCES UNLESS OTHERWISE SPECIFIED: 0 PLC ±0.40 1 PLC ±0.30 2 PLC ±0.20 3 PLC ±0.10 ANGLES ±3'		DWN J. LEE 07-JAN-2005	 TYCO HOLDINGS (BERMUDA) VII LTD. TAIWAN BRANCH
MATERIAL SEE NOTE		CHK S. HOU 07-JAN-2005	
FINISH SEE NOTE		APVD W.J. KE 07-JAN-2005	NAME CONNECTOR ASS'Y, PCI, EXTENDED, 184 POSITION, .050 SERIES.
LTR		QUALIFICATION TEST REPORT ---	LOC DW
REVISION RECORD		WEIGHT	SIZE A <sub>3</sub>
ECN	DWN CHK	DATE	DRAWING NO C-1834001
SEE SHEET 1		REV O	
SCALE		SHEET 3 OF 3	

8	7	6	5	4	3	2	1
SEE SHEET 1		ECN	DWN CHK	DATE			