

# PRODUCT DATA DRAWING

REVISION HISTORY			
REV	DESCRIPTION	DATE	APPROVED
-	DCN 34595	10/06	STW
A	DCN 36894	07/09	JMC

**MATERIAL:**

**BODY & COUPLING NUT:** STAINLESS STEEL PER AMS-5640, ALLOY UNS S30300, TYPE 1

**CONTACTS & RETAINING CLIP:** BERYLLIUM COPPER PER ASTM B196, ALLOY UNS C17300, TD04

**SPRING:** STAINLESS STEEL PER ASTM A313, TYPE 331 ALLOY UNS S17700

**INSULATOR:** PTFE PER ASTM D1710, TYPE I, GRADE 1, CLASS B

**GASKET:** SILICONE RUBBER PER A-A-59588, CLASS 2B, GRADE 50/60

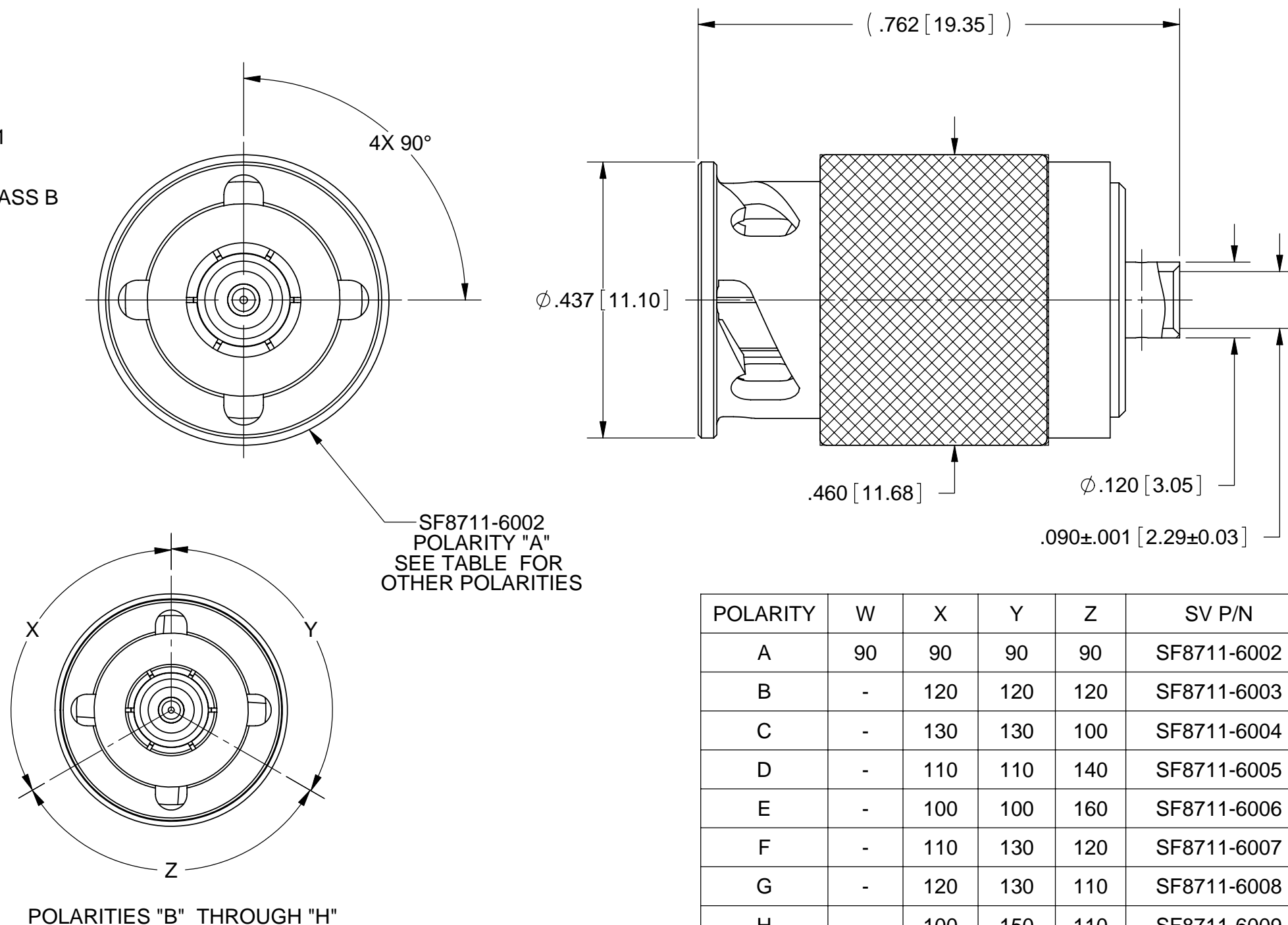
**FINISH:**

**BODY & CONTACTS:** GOLD PER ASTM B488, TYPE II, CODE C, CLASS 1.27; OVER NICKEL PER AMS-QQ-N-290, CLASS 1, .00005" MIN.

**COUPLING NUT:** PASSIVATED PER AMS-2700, TYPE 2

**PERFORMANCE:**

**IMPEDANCE:** 50 OHMS  
**FREQ. RANGE:** DC TO 18.0 GHz  
**DWV:** 1000 VRMS  
**OPERATING TEMP.:** -55°C TO +125°C  
**INSUL. RES.:** 5000 MEGOHMS, MIN.



MATERIAL:	SEE NOTES
FINISH:	SEE NOTES
SURFACE AREA:	N/A
<b>PROPRIETARY</b>	
THE INFORMATION CONTAINED IN THIS DRAWING IS THE SOLE PROPERTY OF SV MICROWAVE, INC. ANY REPRODUCTION IN PART OR AS A WHOLE WITHOUT THE WRITTEN PERMISSION OF SV MICROWAVE, INC IS PROHIBITED.	

DIMENSIONS ARE IN INCHES TOLERANCES:	
FRACTIONAL:	±1/64 ANGULAR: X° ±1'0" X'X' ±15'
DECIMAL:	.X ±.030 .XX ±.010 .XXX ±.005
INTERPRET DIMENSIONS AND TOLERANCES PER ASME Y14.5M - 1994	
<b>THIRD ANGLE PROJECTION</b>	

UNLESS OTHERWISE SPECIFIED	
1) ALL DIMENSIONS ARE IN INCHES (MILLIMETERS) 2) ALL DIMENSIONS ARE AFTER PLATING. 3) BREAK CORNERS & EDGES .005 R. MAX. 4) CHAM. 1ST & LAST THREADS. 5) SURFACE ROUGHNESS 63-MIL-STD-10. 6) DIA: 'S ON COMMON CENTERS TO BE CONCENTRIC WITHIN .005 T.I.R. 7) REMOVE ALL BURRS	
DRAWN:	PDW 10/03/06
CHECKED:	STW 10/03/06
APPROVED:	STW 10/06/06

<b>SV Microwave, Inc.</b>	
2400 Centrepark West Drive, Suite 100 West Palm Beach, FL 33409	
TITLE: <b>ZMA PLUG FOR TFLEX-405 CABLE</b>	
SIZE: <b>B</b>	CAGE CODE: <b>95077</b>
DWG. NO.:	<b>SF8711-6002 TO 6009</b>
SCALE: 5:1	SHEET 1 OF 1