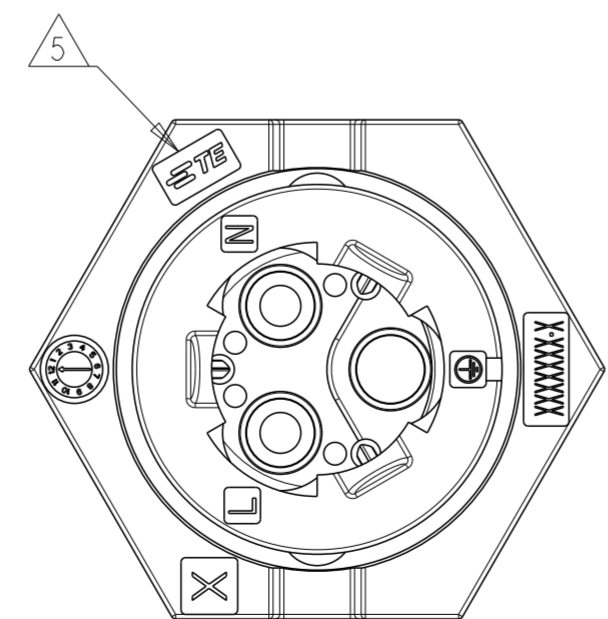
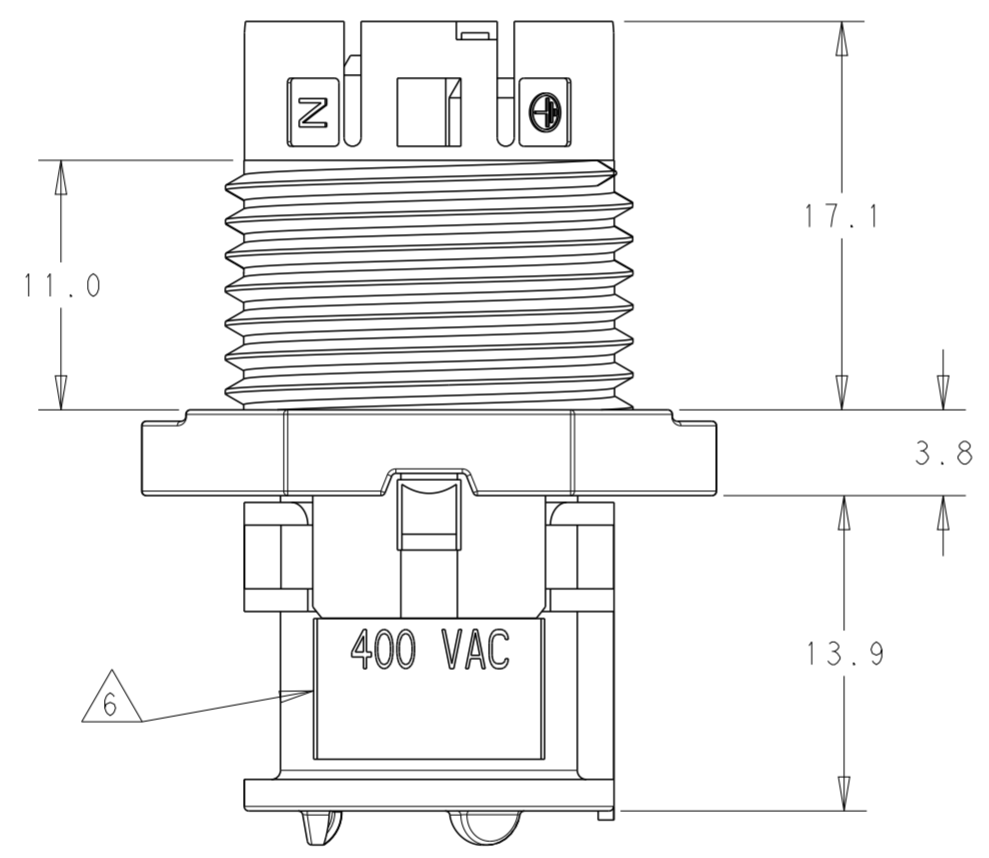
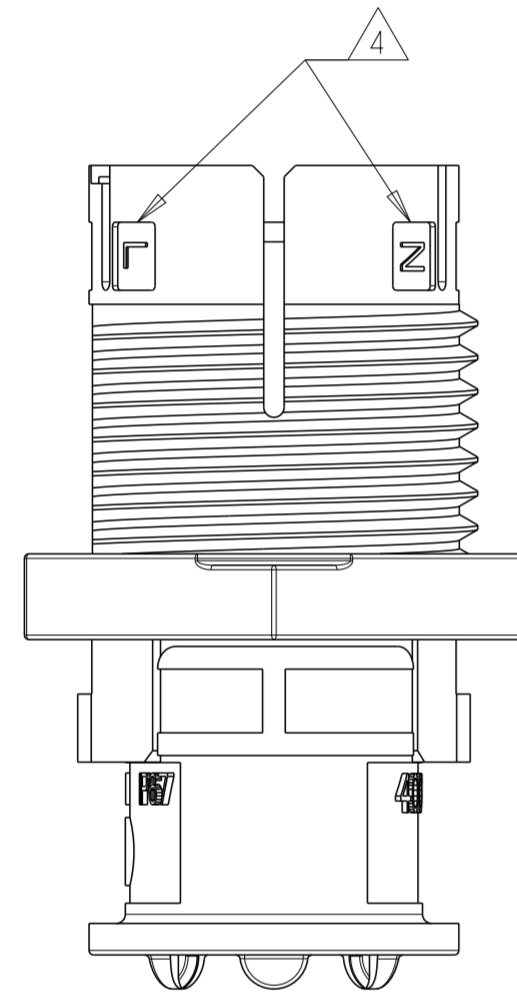
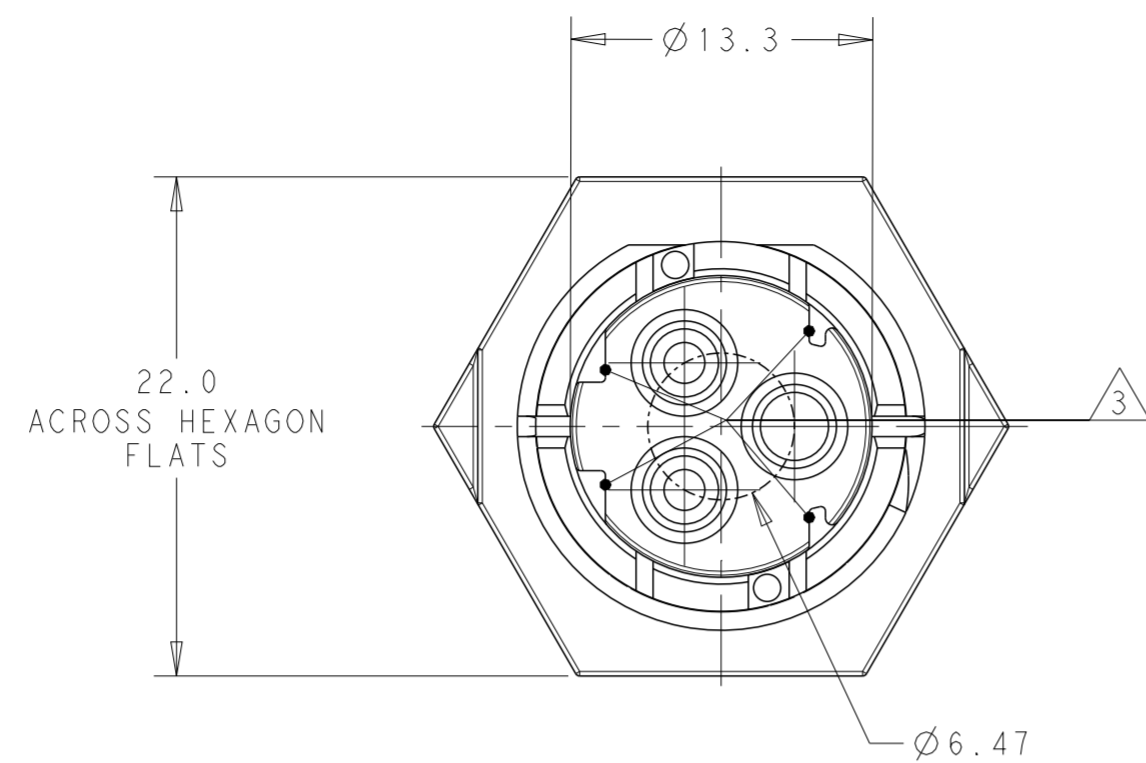


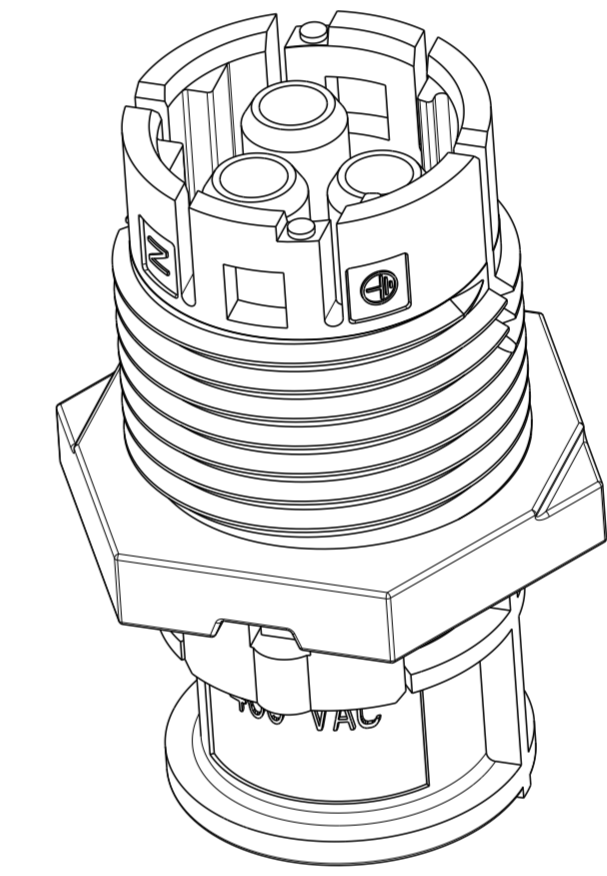
THIS DRAWING IS UNPUBLISHED. RELEASED FOR PUBLICATION 20
 © COPYRIGHT 20 BY - ALL RIGHTS RESERVED.

REVISIONS				
P	LTR	DESCRIPTION	DATE	APVD
A		REVISED AS PER ECR-15-005925	22APR2015	RS JL



NOTES:

- MATERIAL: GLASS FILLED PBT, COLOR: BLACK
- MUST COMPLY WITH DIRECTIVE 2002/95/EC (ROHS)
- ALL POLARIZATION KEYS SHOWN FOR REF ONLY.
- CIRCUIT I.D.
- TE LOGO
- VOLTAGE RATING
- THIS PRODUCT HAS NOT COMPLETED VALIDATION TESTING



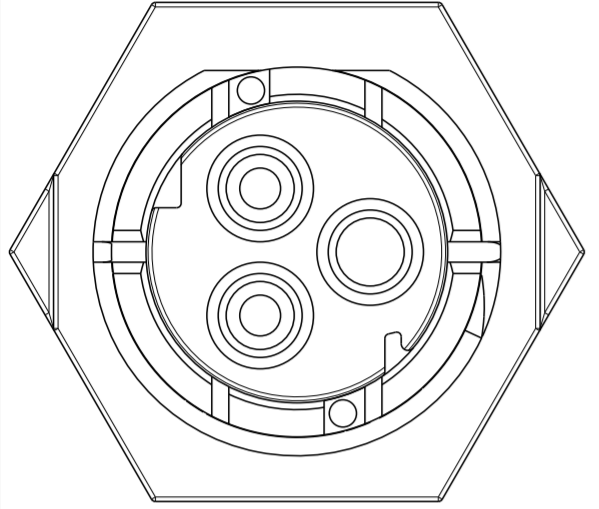
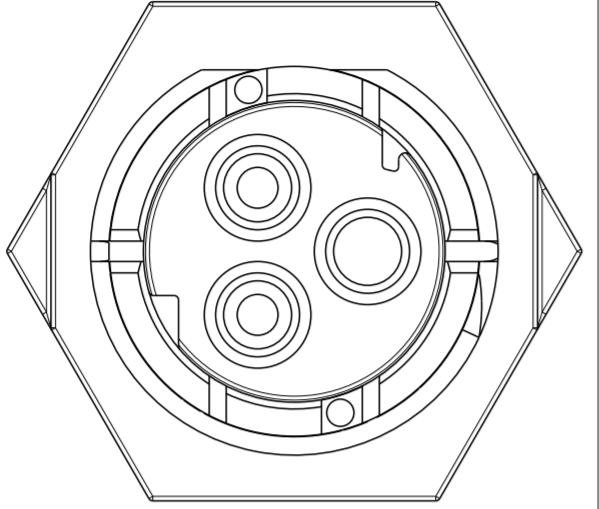
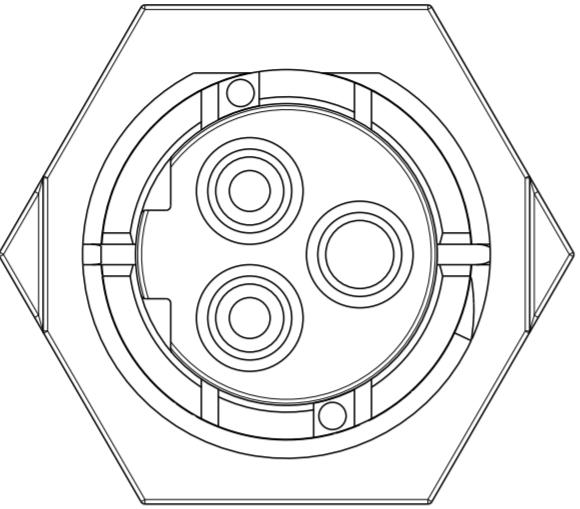
C	PANEL MOUNT SOCKET SEALED NECTOR 3 POSITION	2213468-3
B	PANEL MOUNT SOCKET SEALED NECTOR 3 POSITION	2213468-2
A	PANEL MOUNT SOCKET SEALED NECTOR 3 POSITION	2213468-1
POLARIZATION TYPE	DESCRIPTION	PART NUMBER

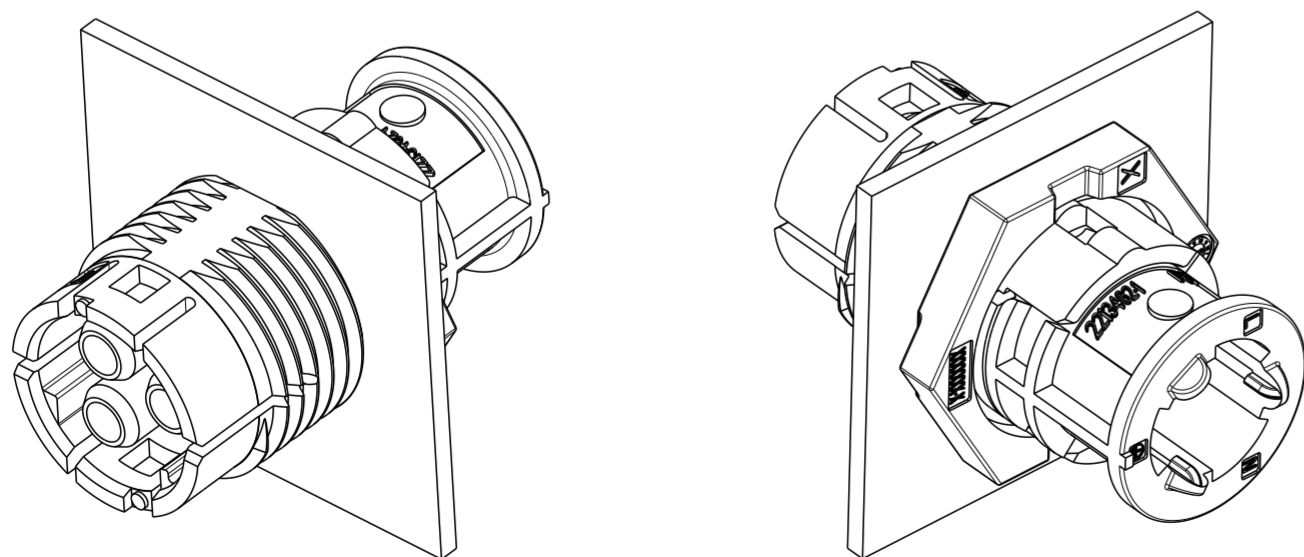
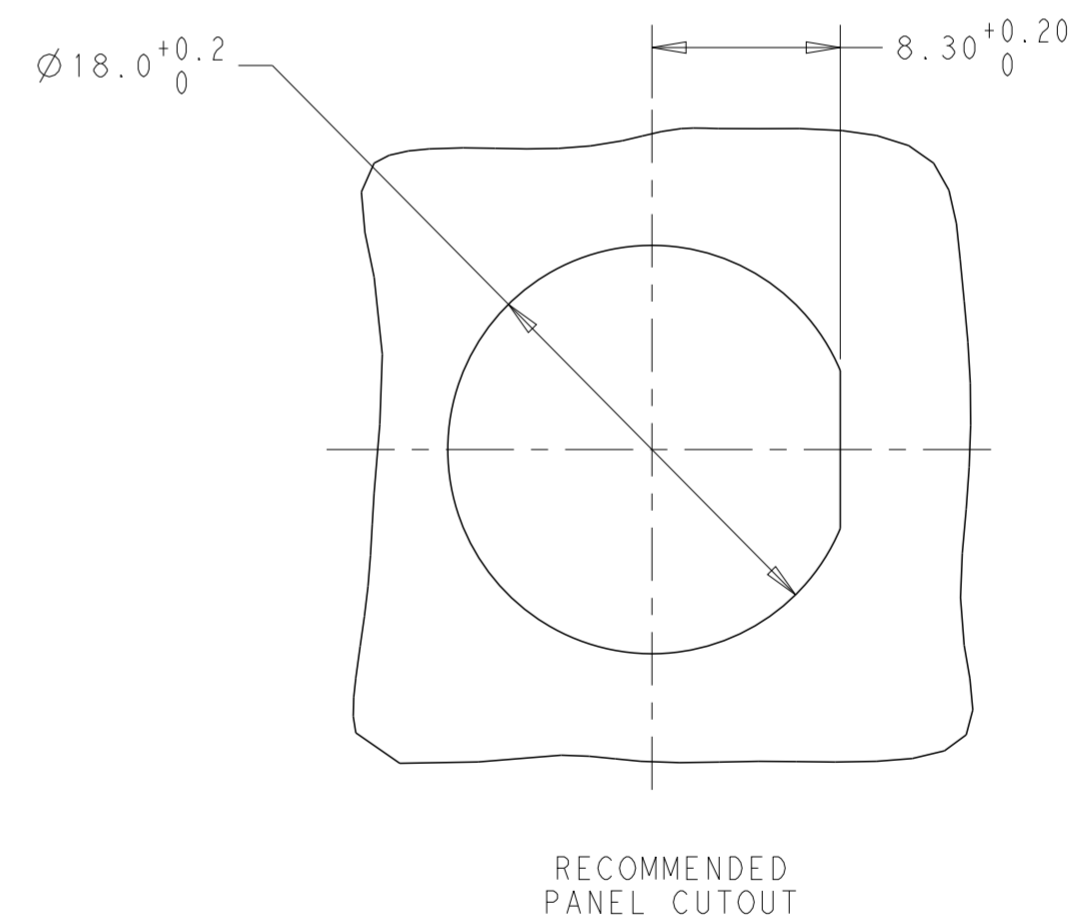
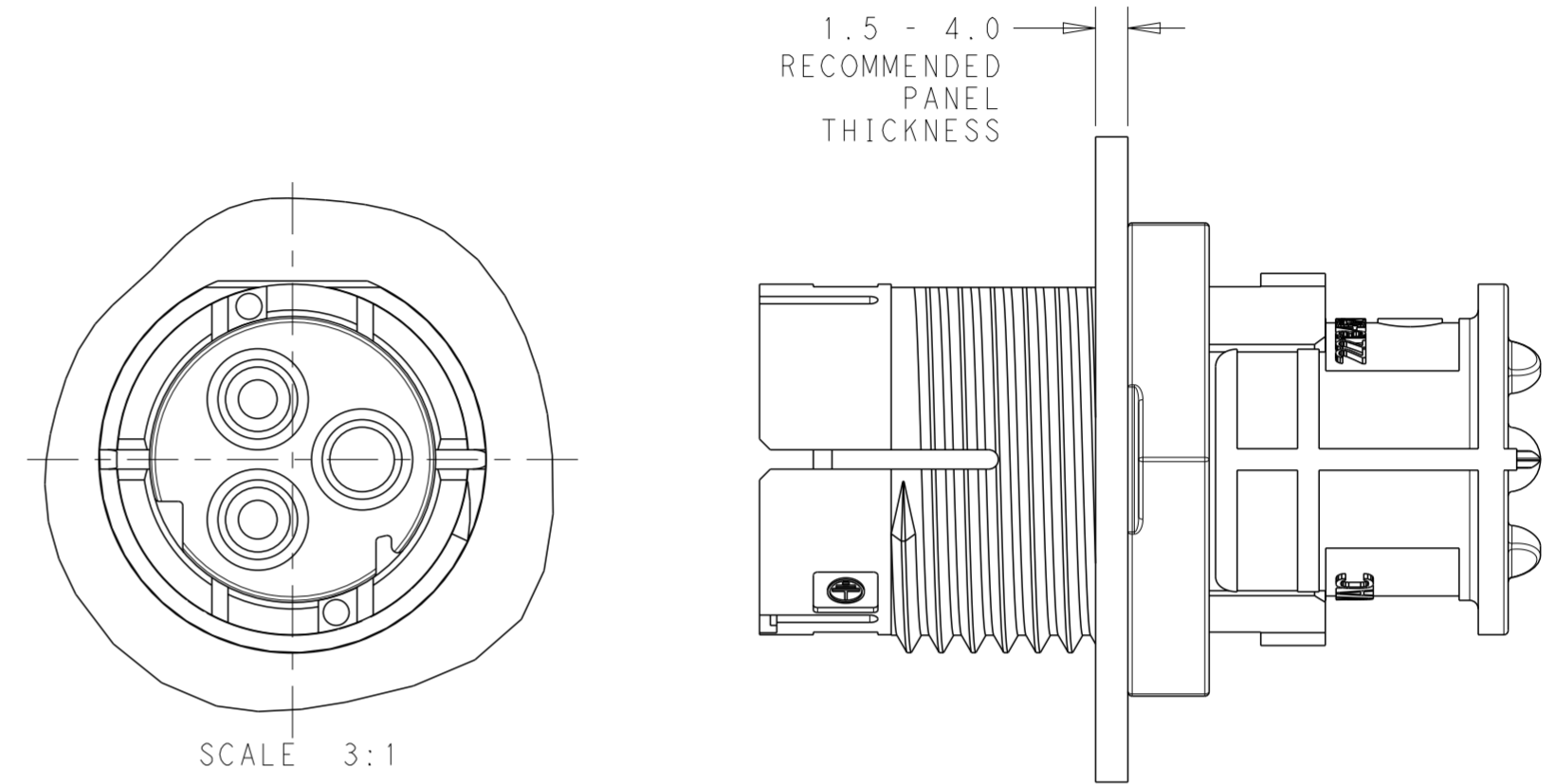
DIMENSIONS:		TOLERANCES UNLESS OTHERWISE SPECIFIED:		DWN		CHK		APVD		NAME					
mm	0 PLC ±	1 PLC ±0.3	2 PLC ±0.20	3 PLC ±	4 PLC ±	ANGLES ±3°	FINISH	J. SHAFFER	20MAR2014	M. LUKSIC	20MAR2014	M. LUKSIC	20MAR2014	TE Connectivity	
				108-133014		114-32111		108-133014		PANEL MOUNT, SOCKET; SEALED NECTOR M 3 POSITION					
MATERIAL	TBD	-		WEIGHT	-	SIZE	A2	CAGE CODE	-	DRAWING NO	G-2213468	RESTRICTED TO	-		
Customer Drawing								SCALE	1:1	SHEET	1 OF 2	REV	A		

THIS DRAWING IS UNPUBLISHED. RELEASED FOR PUBLICATION 20
 © COPYRIGHT 20 BY - ALL RIGHTS RESERVED.


REVISIONS				
P	LTR	DESCRIPTION	DATE	APVD
-	-	SEE SHEET 1	-	-

POLARIZATION TYPES

POLARIZATION TYPE "A"	POLARIZATION TYPE "B"	POLARIZATION TYPE "C"
		
PN 2213468-1	PN 2213468-2	PN 2213468-3



3D VIEWS
FOR REFERENCE ONLY

THIS DRAWING IS A CONTROLLED DOCUMENT.		DWN J. SHAFFER 20MAR2014	 TE Connectivity	
DIMENSIONS: mm		CHK M. LUKSIC 20MAR2014		
TOLERANCES UNLESS OTHERWISE SPECIFIED:		APVD M. LUKSIC 20MAR2014	NAME PANEL MOUNT, SOCKET; SEALED NECTOR M 3 POSITION	
0 PLC ±	1 PLC ±0.3	PRODUCT SPEC 108-133014	SIZE A2	CAGE CODE -
2 PLC ±0.20	3 PLC ±	APPLICATION SPEC 114-32111	DRAWING NO G-2213468	RESTRICTED TO -
4 PLC ±	ANGLES ±3°	WEIGHT -	SCALE 1:1	SHEET 2 OF 2
MATERIAL TBD	FINISH -	Customer Drawing	REV A	