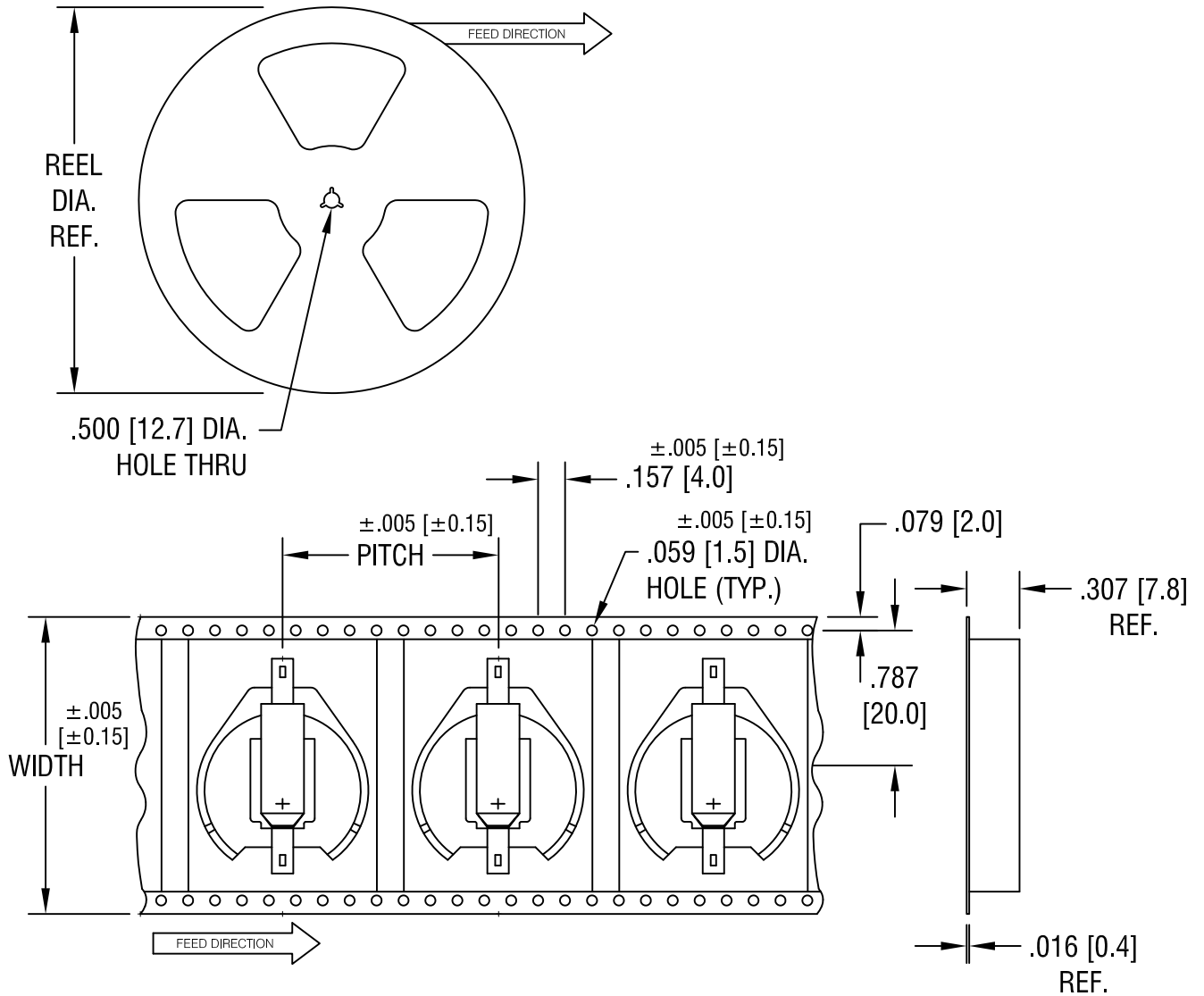


THIS DOCUMENT IS THE PROPERTY OF
KEYSTONE ELECTRONICS CORP. AND
SHALL NOT BE REPRODUCED, DISTRIBUTED
OR USED AS A BASIS FOR MANUFACTURE
WITHOUT PRIOR WRITTEN PERMISSION
FROM KEYSTONE ELECTRONICS CORP.



NOTES:

TAPE AND REEL SPECIFICATIONS:

1. TAPE:

MAT'L - ALL CONDUCTIVE POLYSTYRENE CARRIER
ANSI/EIA-481 STANDARD
1.732 [44.0] WIDE; 1.260 [32.0] PITCH

2. REEL:

13.0 [330.2] DIA. 200 PIECES OF
PART NO. 1083 PER REEL.

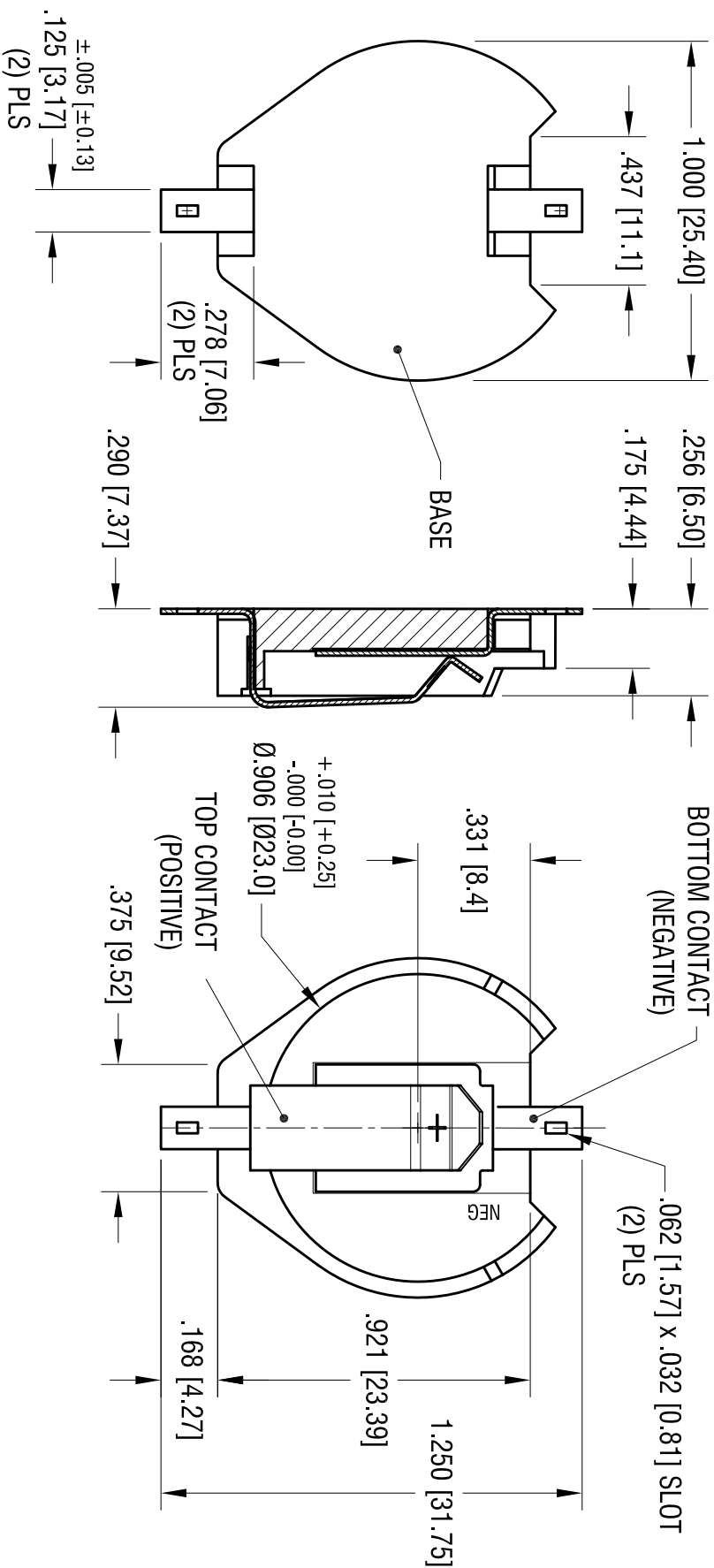
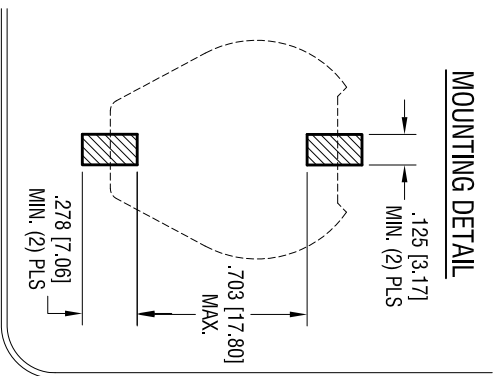
KEYSTONE ELECTRONICS CORP.

www.keyelco.com • ASTORIA, N.Y. 11105-2017 • Tel (718) 956-8900

PART NAME		23mm SM COIN CELL HOLDER ON TAPE	
MATERIAL			
AS NOTED			
FINISH		DRN BY	DATE
AS NOTED		NT	3.19.09
		APP'D	SCALE
		LN	X
TOLERANCES	INCH [MM]	CODE	DWG NO.
DECIMAL	± .015 [± 0.38]	C/M	1083TR
ANGULAR	± 1°		
UNLESS OTHERWISE SPECIFIED			

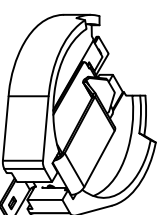
DATE	DESCRIPTION	REV.

MOUNTING DETAIL



NOTES:

1. BASE:
MATE'L - HIGH TEMPERATURE NYLON (UL 94V-0)
COLOR BLACK
2. CONTACTS (TOP AND BOTTOM):
MATE'L - .015 [0.38] THK SPRING STEEL
FINISH: GOLD FLASH PLATE



ACTUAL SIZE

THIS DOCUMENT IS THE PROPERTY OF KEYSTONE ELECTRONICS CORP. AND SHALL NOT BE REPRODUCED, DISTRIBUTED OR USED AS A BASIS FOR MANUFACTURE WITHOUT PRIOR WRITTEN PERMISSION FROM KEYSTONE ELECTRONICS CORP.

DATE	DESCRIPTION	REV.
8.12.11	AS PER ECN 11-104	A

KEYSTONE ELECTRONICS CORP.

www.keyleco.com • ASTORIA, N.Y. 11105-2017 • Tel (718) 956-8900

PART NAME

DUAL 23mm BATTERY HOLDER, SMT

MATERIAL

AS NOTED

FINISH

AS NOTED

TOLERANCES	INCH	[MM]	CODE	DWG NO.
DECIMAL	± .010	[± 0.25]	C	
ANGULAR	± 1°			

DRN BY	DATE
NT	3.19.09

App'D LN SCALE 2X

1083