

SAFETY ORGANIZATIONS

THIS FILTER HAS BEEN FORMALLY RECOGNIZED, CERTIFIED OR APPROVED BY THE LISTED AGENCY. THEREFORE, ALL TEST REQUIREMENTS SPECIFIED IN THE LATEST REVISION OF THE FOLLOWING AGENCY STANDARDS HAVE BEEN MET:

UL RECOGNIZED: UL 1283
 CSA CERTIFIED: CSA 22.2, # 8
 VDE APPROVED: EN 133200

OPERATING SPECIFICATIONS

LINE CURRENT/VOLTAGE: 1 AMP/40°C 120/250VAC

LINE FREQUENCY: 50-60Hz

MAXIMUM LEAKAGE CURRENT,
 EACH LINE TO GROUND: 0.22mA @ 120V, 60Hz
 0.38mA @ 250V, 50Hz

OPERATING AMBIENT TEMP. RANGE: -10°C TO +40°C @ RATED CURRENT, I_r .

IN AN AMBIENT, T_a , HIGHER THAN 40°C, THE MAXIMUM OPERATING CURRENT, I_o , IS AS FOLLOWS:

$$I_o = I_r \sqrt{\frac{100 - T_a}{60}}$$

RELIABILITY SPECIFICATIONS:

STORAGE TEMPERATURE: -40°C TO +85°C
 HUMIDITY: 21 DAYS @ 40°C 95% RH.
 CURRENT OVERLOAD TEST: 6 TIMES I_r FOR 8 SECONDS

TEST SPECIFICATIONS:

INDUCTANCE: 3.7mH NOMINAL
 CAPACITANCE: (MEASURED @ 1kHz, 0.250VAC MAX., 25°C ± 1°C)
 LINE TO GROUND: 0.0059µF ± 20%
 LINE TO LINE: 0.2015µF ± 20%
 DISCHARGE RESISTOR: 1.0MΩ
 L/G AND L/L I.R.:
 NO DISCHARGE RESISTOR: 6000MΩ (MIN.) @ 100VDC, 20°C AND 50% RH

RECOMMENDED RECEIVING INSPECTION HIPOT:

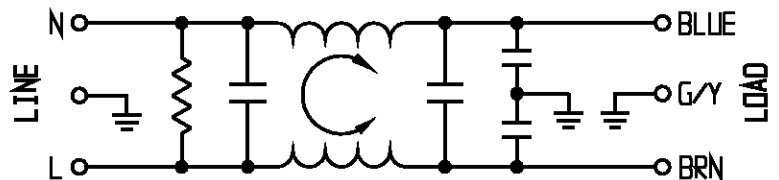
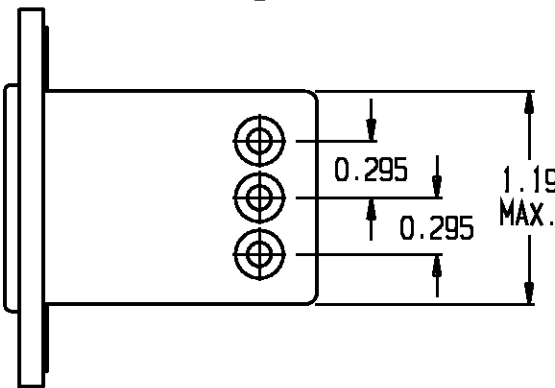
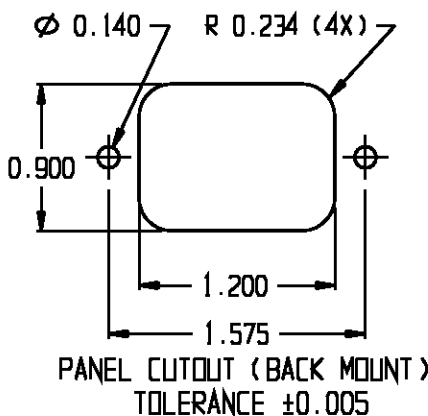
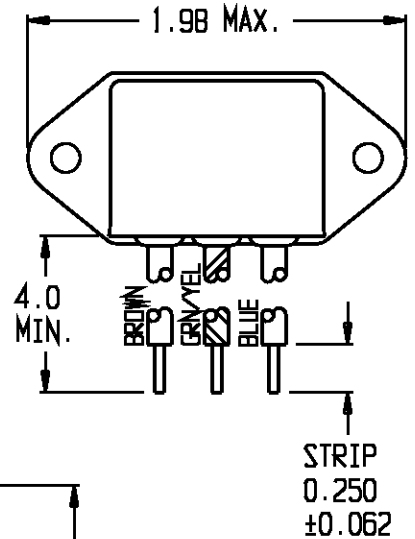
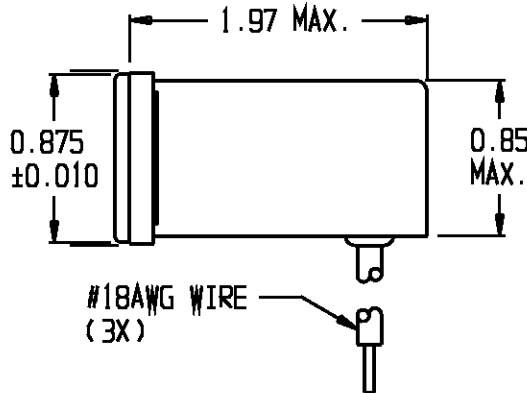
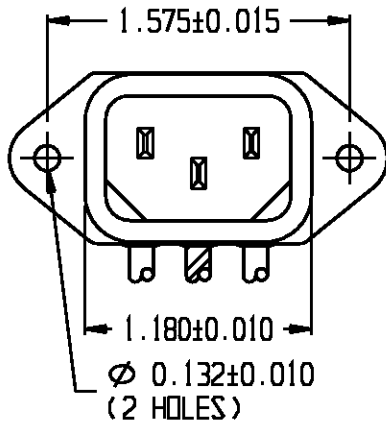
LINE TO GROUND: 1500VAC OR 2250VDC FOR 1 MINUTE
 LINE TO LINE: 1450VDC FOR 1 MINUTE

FILTER APPROVAL:

THE BEST WAY TO SELECT AND QUALIFY A FILTER IS FOR YOUR ENGINEERING TO TEST THE UNIT IN YOUR EQUIPMENT.

CATALOG # 1RC4

ECO #	APPRVD	DATE
	KAW	21NOV06
ECO-09-026495	AEG	05DEC09



⚠ OBSOLETE PARTS: OBSOLETE CIS STREAMLINING PER D.RENAUD/D.SINISI

0-6609017-3
 0-1609017-3 OBSOLETE ⚠

50Ω - 50Ω (MINIMUM) INSERTION LOSS

FREQUENCY MHz	0.15	0.3	0.5	1.0	2.0	5.0	10	20	30
COMMON dB	26	-	35	40	45	50	54	55	55
DIFF. dB	5	5	35	50	60	60	60	33	33

THIRD ANGLE PROJECTION

UNLESS OTHERWISE SPECIFIED,
 TOLERANCE TO BE ±.025
 MATERIAL & FINISH: AS SUPPLIED

This document is proprietary to CORCOM INC. and is not to be reproduced nor used for manufacturing purposes except on CORCOM'S prior written consent.

tyco Electronics **corcom**
 620 S. BUTTERFIELD ROAD MUMFORD, IL 60089

CUSTOMER DRAWING 1RC4

TYCO: 0-6609017-3	SCALE: NTS	DATE: 14AUG90	CATALOG NO. 1RC4	REV. B1
DRW. BY: JF	DRG: KAW			