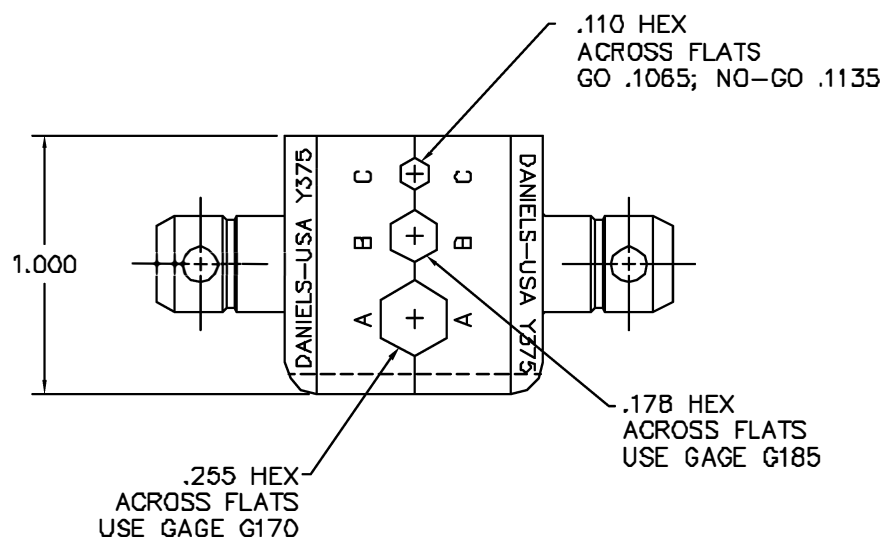
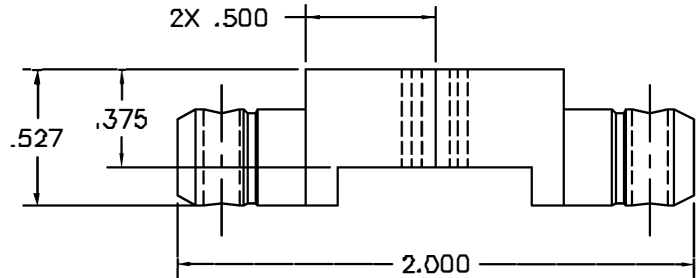



REVISIONS				
REV. SYN.	E.C.O. NUMBER	DESCRIPTION	BY DATE	APP'D DATE
1		ORIGINAL RELEASE	B.K. 4-21-98	DE 4-88



**UNCONTROLLED DOCUMENT
WILL NOT BE UPDATED**

RESTRICTED & CONFIDENTIAL CONFIDENTIAL PROPERTY OF DANIELS MANUFACTURING CORP. NOT TO BE DISCLOSED TO OTHERS, REPRODUCED OR USED FOR ANY OTHER PURPOSE EXCEPT AS AUTHORIZED IN WRITING BY DANIELS MANUFACTURING. MUST BE RETURNED TO DANIELS MANUFACTURING CORP. ON COMPLETION OF ORDER OR OTHER PURPOSE FOR WHICH LENT.	MATERIAL	ITEM	PART NO.	QTY.	DESCRIPTION/REMARKS
	HEAT TREAT	DRN. B. KILPATRICK GHK/DA DE APP'D APP'D	DATE 4-21-98 DATE 4-98 DATE DATE		 DANIELS MANUFACTURING CORP. ORLANDO, FLORIDA GAGE 11831
	FINISH				TITLE DIE SET ENVELOPE DRAWING
DO NOT SCALE DRAWING					WHERE USED: SIZE B SCALE 2X CAD P/N Y375-ENV SHEET 1 OF 1 PDBTNO P/N Y375-ENV REV. 1