

1 2 3 4 5 6

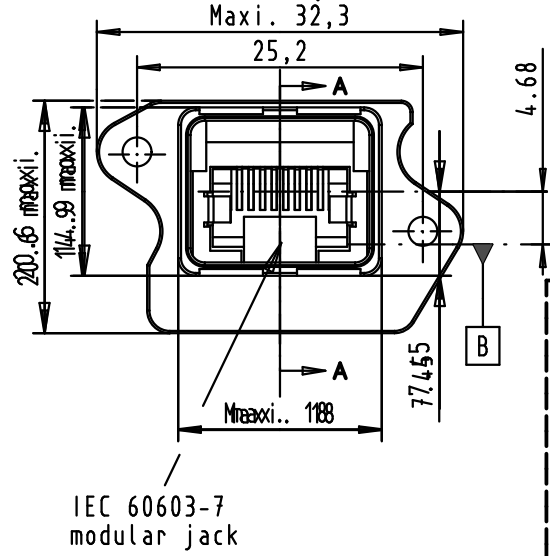
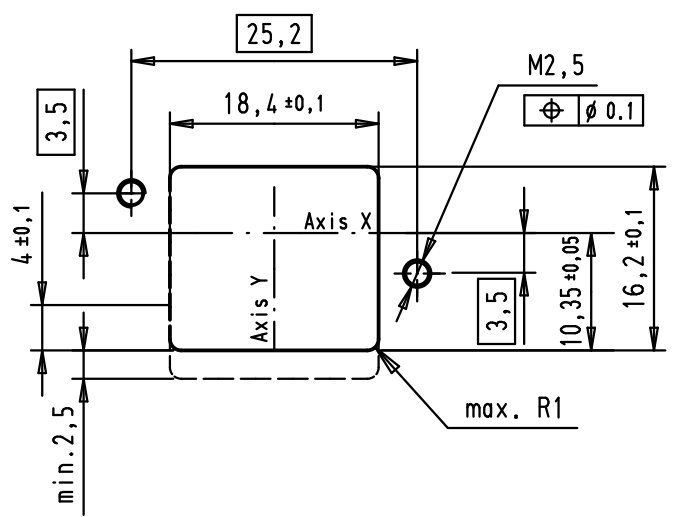
A

B

C

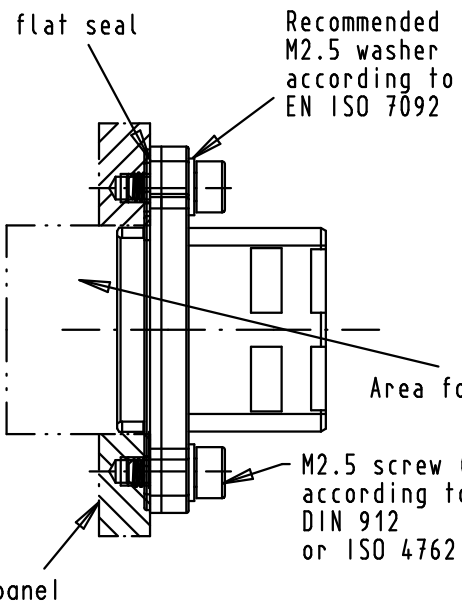
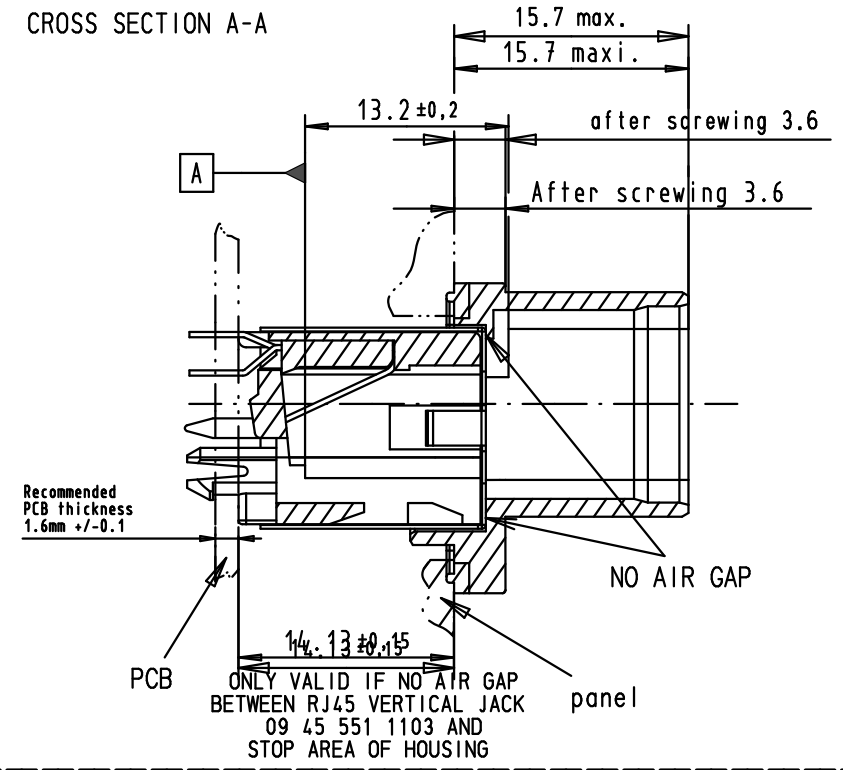
D

Panel cutting



IEC 60603-7 modular jack

CROSS SECTION A-A




Recommended M2.5 washer according to EN ISO 7092

Connector pitches on panel:
Axis X= 27 mm and Axis Y = 21 mm
Receptacle mating face acc. to 600076-3-106 IEC - variant 4

RJ45 jack mating references A and B according to IEC 60603-7
(1) Screwing torque = 0.3 N.m

M2.5 screw (1) according to DIN 912 or ISO 4762

			Dot.	Name	 All Dim. in mm Orig. Size DIN A 4	Push pull RJ Industrial black thermoplastic IP67 receptacle with overmolded seal with position dimensions of Harting vertical jacks P/N 09 45 551 1103	Maßstab/ Scale 1,5:1	
			Detail.	28/10/08				AB
			Insp.					
			Stand.					
35413	17/11/08	AB	HARTING EURL F-95972 Paris			TB 09 45 545 00 27	Blatt/ Page 1/1	
35400	28/10/08	AB						
Mod.	Dot.	Name				Sub.		

