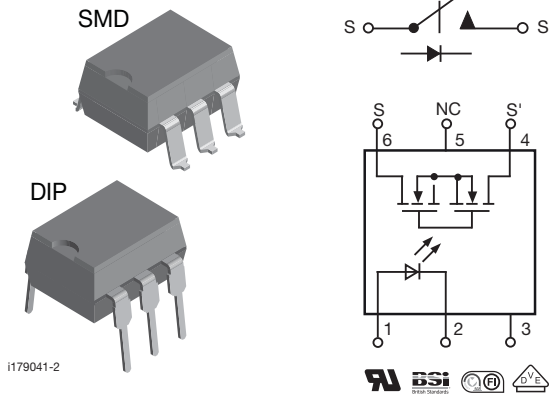


1 Form A High-Voltage Solid-State Relay



DESCRIPTION

The LH1550 is robust, ideal for telecom and ground fault applications. It is an SPST normally open switch (1 form A) that replaces electromechanical relays in many applications. It is similar to the LH1540, but has a characteristically higher On resistance. It is constructed using a GaAlAs LED for actuation control and an integrated monolithic die for the switch output. The die, fabricated in a high-voltage dielectrically isolated technology, is comprised of a photodiode array, switch control circuitry and MOSFET switches. In addition, it employs current-limiting circuitry which meets lightning surge testing as per ANSI/TIA-968-B and other regulatory voltage surge requirements when overvoltage protection is provided.

FEATURES

- Current limit protection
- Isolation test voltage 5300 V_{RMS}
- Typical R_{ON} 28 Ω
- Load voltage 350 V
- Load current 120 mA
- High surge capability
- Clean bounce free switching
- Low power consumption
- SMD lead available on tape and reel
- Compliant to RoHS Directive 2002/95/EC and in accordance to WEEE 2002/96/EC


 RoHS
COMPLIANT

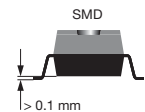
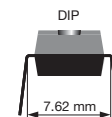
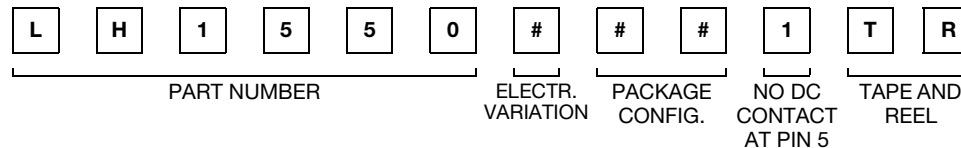
APPLICATIONS

- General telecom switching
- Instrumentation
- Industrial controls

AGENCY APPROVALS

UL1577: file no. E52744 system code H, double protection
 BSI: 7979/7980
 DIN EN: 60747-5-2 (VDE 0884)/60747-5-5 (pending), available with option 1
 FIMKO: 25419

ORDERING INFORMATION



| PACKAGE | UL, BSI, FIMKO |
|----------------------|----------------|
| SMD-6 | LH1550AAB1 |
| SMD-6, tape and reel | LH1550AAB1TR |
| DIP-6, thru hole | LH1550AT1 |

ABSOLUTE MAXIMUM RATINGS (T_{amb} = 25 °C, unless otherwise specified)

| PARAMETER | TEST CONDITION | SYMBOL | VALUE | UNIT |
|--|------------------------|----------------|-------|------|
| INPUT | | | | |
| LED continuous forward current | | I _F | 50 | mA |
| LED reverse voltage | I _R ≤ 10 μA | V _R | 8 | V |
| OUTPUT | | | | |
| DC or peak AC load voltage | I _L ≤ 50 μA | V _L | 350 | V |
| Continuous DC load current - bidirectional operation | | I _L | 100 | mA |
| Peak load current (single shot) | t = 100 ms | I _p | (1) | |



| ABSOLUTE MAXIMUM RATINGS ($T_{amb} = 25\text{ }^{\circ}\text{C}$, unless otherwise specified) | | | | |
|--|---|------------|---------------|--------------------|
| PARAMETER | TEST CONDITION | SYMBOL | VALUE | UNIT |
| SSR | | | | |
| Ambient temperature range | | T_{amb} | - 40 to + 85 | $^{\circ}\text{C}$ |
| Storage temperature range | | T_{stg} | - 40 to + 150 | $^{\circ}\text{C}$ |
| Pin soldering temperature ⁽²⁾ | $t = 10\text{ s max.}$ | T_{sld} | 260 | $^{\circ}\text{C}$ |
| Input to output isolation voltage | $V_{RMS}\ t = 1\text{ s, } I_{ISO} = 10\ \mu\text{A}$ | V_{ISO} | 5300 | V_{RMS} |
| Output power dissipation (continuous) | | P_{diss} | 550 | mW |

Notes

- Stresses in excess of the absolute maximum ratings can cause permanent damage to the device. Functional operation of the device is not implied at these or any other conditions in excess of those given in the operational sections of this document. Exposure to absolute maximum ratings for extended periods of the time can adversely affect reliability.
- (1) Refer to current limit performance application note 58 for a discussion on relay operation during transient currents.
- (2) Refer to reflow profile for soldering conditions for surface mounted devices (SMD). Refer to wave profile for soldering conditions for through hole devices (DIP).

| ELECTRICAL CHARACTERISTICS ($T_{amb} = 25\text{ }^{\circ}\text{C}$, unless otherwise specified) | | | | | | |
|--|--|------------|-------|------|------|------------------|
| PARAMETER | TEST CONDITION | SYMBOL | MIN. | TYP. | MAX. | UNIT |
| INPUT | | | | | | |
| LED forward current, switch turn-on | $I_L = 100\text{ mA, } t = 10\text{ ms}$ | I_{Fon} | | 1.1 | 2 | mA |
| LED forward current, switch turn-off | $V_L = \pm 350\text{ V}$ | I_{Foff} | 0.001 | 1 | | mA |
| LED forward voltage | $I_F = 10\text{ mA}$ | V_F | 1.15 | 1.25 | 1.45 | V |
| OUTPUT | | | | | | |
| On-resistance, AC: pin 4 (\pm) to 6 (\pm) | $I_F = 5\text{ mA, } I_L = 50\text{ mA}$ | R_{ON} | | 28 | 50 | Ω |
| Off-resistance | $I_F = 0\text{ mA, } V_L = \pm 100\text{ V}$ | R_{OFF} | 0.5 | 300 | | $\text{G}\Omega$ |
| Current limit AC ⁽¹⁾ : pin 4 (\pm) to 6 (\pm) | $I_F = 5\text{ mA, } t = 5\text{ ms, } V_L = 6\text{ V}$ | I_{LMT} | 170 | 210 | 250 | mA |
| Off-state leakage current | $I_F = 0\text{ mA, } V_L = \pm 100\text{ V}$ | I_O | | 0.35 | 200 | nA |
| | $I_F = 0\text{ mA, } V_L = \pm 350\text{ V}$ | I_O | | 0.09 | 1 | μA |
| Output capacitance pin 4 to 6 | $I_F = 0\text{ mA, } V_L = 1\text{ V}$ | C_O | | 18 | | pF |
| | $I_F = 0\text{ mA, } V_L = 50\text{ V}$ | C_O | | 7 | | pF |
| Switch offset | $I_F = 5\text{ mA}$ | V_{OS} | | 0.3 | | μV |
| TRANSFER | | | | | | |
| Capacitance (input to output) | $V_{ISO} = 1\text{ V}$ | C_{IO} | | 0.7 | | pF |

Notes

- Minimum and maximum values are testing requirements. Typical values are characteristics of the device and are the result of engineering evaluations. Typical values are for information only and are not part of the testing requirements.
- (1) No DC mode current limit available.

| SWITCHING CHARACTERISTICS ($T_{amb} = 25\text{ }^{\circ}\text{C}$, unless otherwise specified) | | | | | | |
|---|--|-----------|------|------|------|------|
| PARAMETER | TEST CONDITION | SYMBOL | MIN. | TYP. | MAX. | UNIT |
| Turn-on time | $I_F = 5\text{ mA, } I_L = 50\text{ mA}$ | t_{on} | | 1.1 | 3 | ms |
| Turn-off time | $I_F = 5\text{ mA, } I_L = 50\text{ mA}$ | t_{off} | | 0.7 | 3 | ms |



| SAFETY AND INSULATION RATINGS | | | | |
|---|--|------------|----------------|------------|
| PARAMETER | TEST CONDITION | SYMBOL | VALUE | UNIT |
| Climatic classification | IEC 68 part 1 | | 40/85/21 | |
| Pollution degree | DIN VDE 0109 | | 2 | |
| Tracking resistance (comparative tracking index) | Insulation group IIIa | CTI | 175 | |
| Highest allowable overvoltage | Transient overvoltage | V_{IOTM} | 8000 | V_{peak} |
| Max. working insulation voltage | Recurring peak voltage | V_{IORM} | 890 | V_{peak} |
| Insulation resistance at 25 °C | $V_{IO} = 500 V$ | R_{IS} | $\geq 10^{12}$ | Ω |
| Insulation resistance at T_S | | R_{IS} | $\geq 10^9$ | Ω |
| Insulation resistance at 100 °C | | R_{IS} | $\geq 10^{11}$ | Ω |
| Partial discharge test voltage | Method e a, $V_{pd} = V_{IORM} \times 1.875$ | V_{pd} | 1669 | V_{peak} |
| Safety limiting values - maximum values allowed in the event of a failure | Case temperature | T_{SI} | 175 | °C |
| | Input current | I_{SI} | 300 | mA |
| | Output power | P_{SO} | 700 | mW |
| Minimum external air gap (clearance) | Measured from input terminals to output terminals, shortest distance through air | | ≥ 7 | mm |
| Minimum external tracking (creepage) | Measured from input terminals to output terminals, shortest distance path along body | | ≥ 7 | mm |

TYPICAL CHARACTERISTICS ($T_{amb} = 25\text{ °C}$, unless otherwise specified)

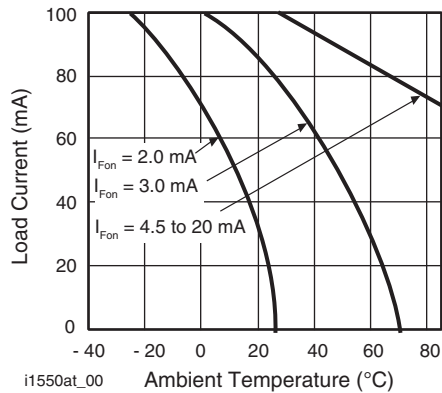


Fig. 1 - Recommended Operating Conditions

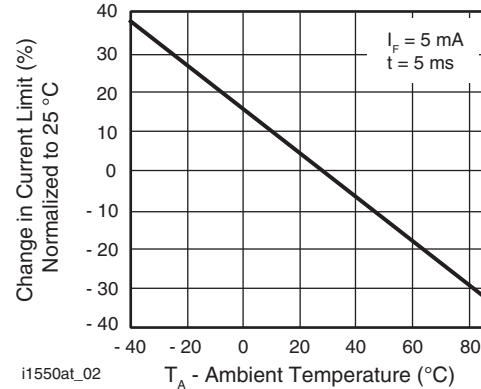


Fig. 3 - Current Limit vs. Temperature

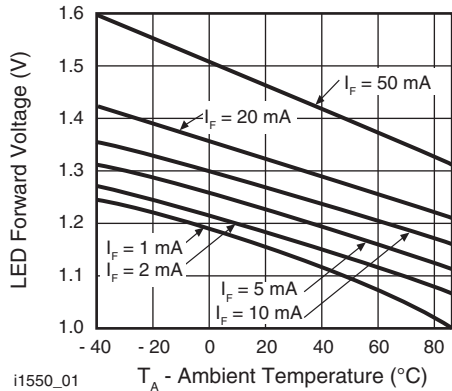


Fig. 2 - LED Voltage vs. Temperature

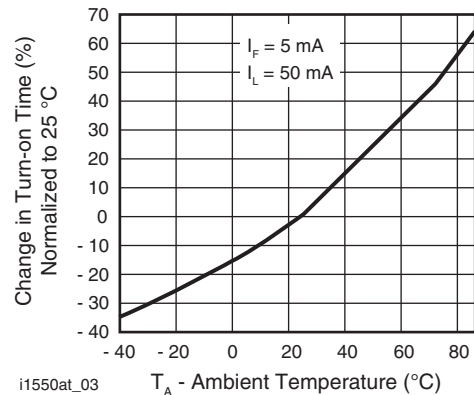


Fig. 4 - Turn-on Time vs. Temperature

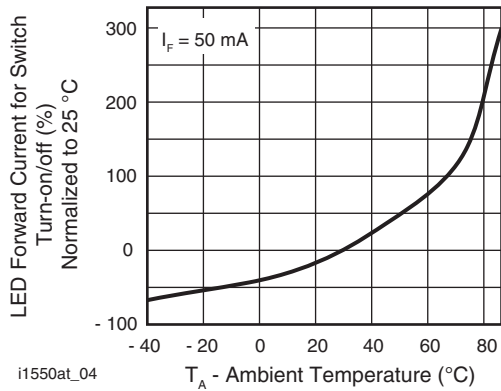


Fig. 5 - LED Current for Switch Turn-on vs. Temperature

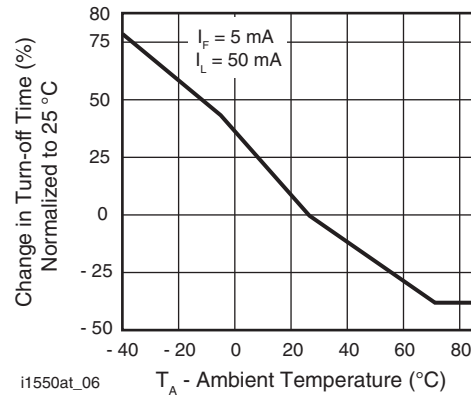


Fig. 7 - Turn-off Time vs. Temperature

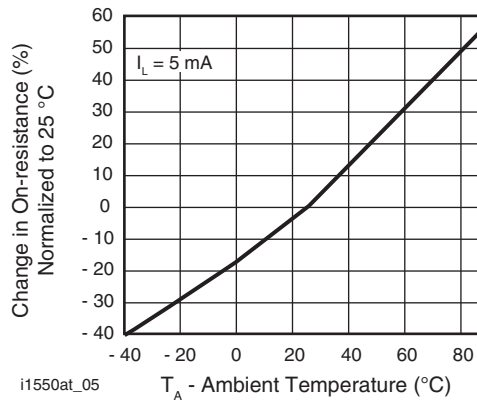
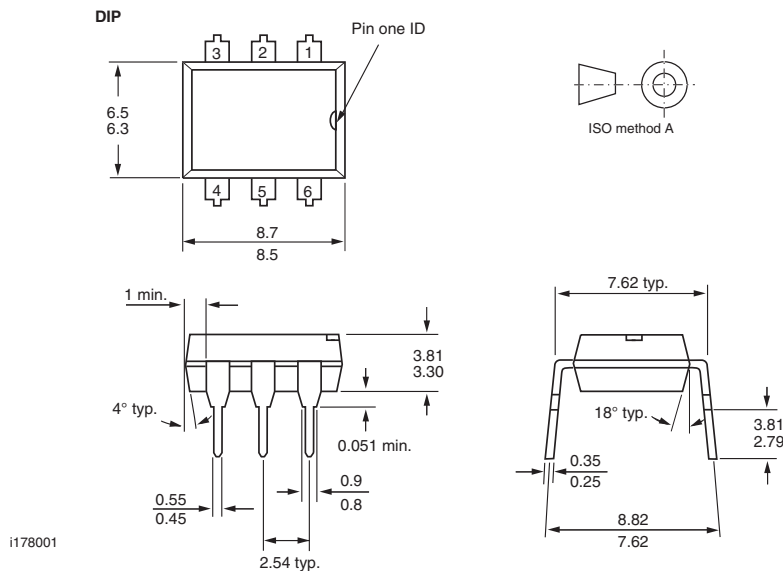
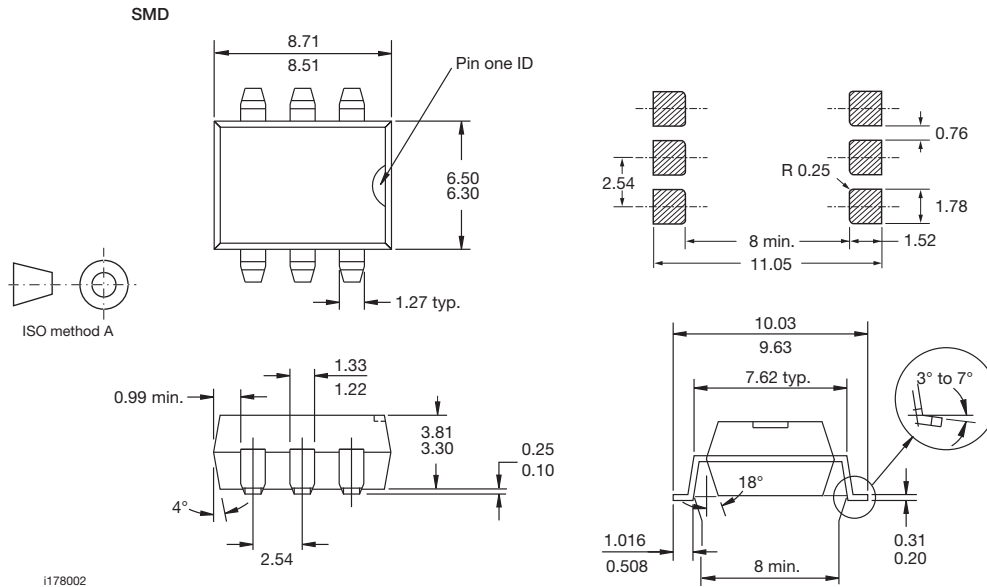


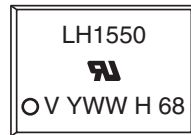
Fig. 6 - On-resistance vs. Temperature

PACKAGE DIMENSIONS in millimeters





PACKAGE MARKING



Note

- Tape and reel suffix (TR) is not part of the package marking.



Disclaimer

ALL PRODUCT, PRODUCT SPECIFICATIONS AND DATA ARE SUBJECT TO CHANGE WITHOUT NOTICE TO IMPROVE RELIABILITY, FUNCTION OR DESIGN OR OTHERWISE.

Vishay Intertechnology, Inc., its affiliates, agents, and employees, and all persons acting on its or their behalf (collectively, "Vishay"), disclaim any and all liability for any errors, inaccuracies or incompleteness contained in any datasheet or in any other disclosure relating to any product.

Vishay makes no warranty, representation or guarantee regarding the suitability of the products for any particular purpose or the continuing production of any product. To the maximum extent permitted by applicable law, Vishay disclaims (i) any and all liability arising out of the application or use of any product, (ii) any and all liability, including without limitation special, consequential or incidental damages, and (iii) any and all implied warranties, including warranties of fitness for particular purpose, non-infringement and merchantability.

Statements regarding the suitability of products for certain types of applications are based on Vishay's knowledge of typical requirements that are often placed on Vishay products in generic applications. Such statements are not binding statements about the suitability of products for a particular application. It is the customer's responsibility to validate that a particular product with the properties described in the product specification is suitable for use in a particular application. Parameters provided in datasheets and/or specifications may vary in different applications and performance may vary over time. All operating parameters, including typical parameters, must be validated for each customer application by the customer's technical experts. Product specifications do not expand or otherwise modify Vishay's terms and conditions of purchase, including but not limited to the warranty expressed therein.

Except as expressly indicated in writing, Vishay products are not designed for use in medical, life-saving, or life-sustaining applications or for any other application in which the failure of the Vishay product could result in personal injury or death. Customers using or selling Vishay products not expressly indicated for use in such applications do so at their own risk and agree to fully indemnify and hold Vishay and its distributors harmless from and against any and all claims, liabilities, expenses and damages arising or resulting in connection with such use or sale, including attorneys fees, even if such claim alleges that Vishay or its distributor was negligent regarding the design or manufacture of the part. Please contact authorized Vishay personnel to obtain written terms and conditions regarding products designed for such applications.

No license, express or implied, by estoppel or otherwise, to any intellectual property rights is granted by this document or by any conduct of Vishay. Product names and markings noted herein may be trademarks of their respective owners.