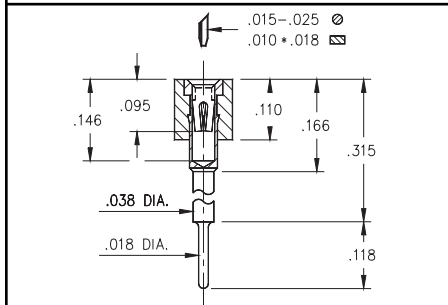
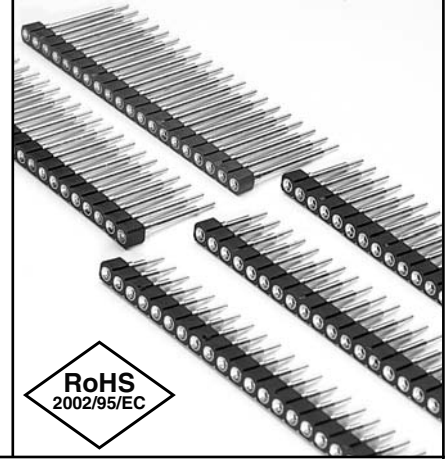
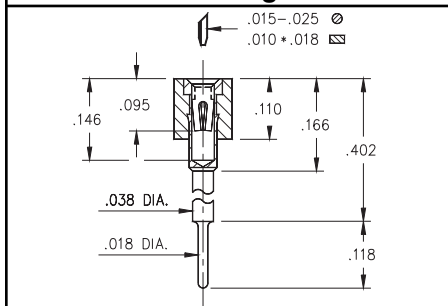


**Fig. 1**

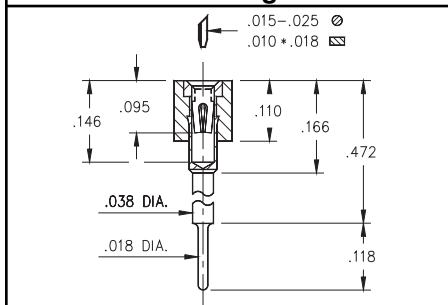
- Elevated socket strips are available in 5 different heights:
  - 316...006 uses pin # 0153-1
  - 316...003 uses pin # 0153-2
  - 316...007 uses pin # 0153-3
  - 316...008 uses pin # 0153-4
  - 316...001 uses pin # 0153-5
 See page 138 for details.
- Hi-Rel, 4-finger BeCu #30 contact is rated at 3 amps. See page 218 for details.
- Insulators are high temp. thermoplastic.



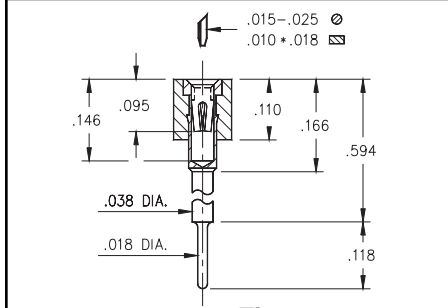
**Fig. 2**



**Fig. 3**



**Fig. 4**



**Fig. 5**

**Ordering Information**

<b>Fig. 1</b>	<b>Series 316...006</b>	<b>Standoff Height = .236</b>
	316-XX-1__-41-006000	Specify # of pins → 01-64
<b>Fig. 2</b>	<b>Series 316...003</b>	<b>Standoff Height = .315</b>
	316-XX-1__-41-003000	Specify # of pins → 01-64
<b>Fig. 3</b>	<b>Series 316...007</b>	<b>Standoff Height = .402</b>
	316-XX-1__-41-007000	Specify # of pins → 01-64
<b>Fig. 4</b>	<b>Series 316...008</b>	<b>Standoff Height = .472</b>
	316-XX-1__-41-008000	Specify # of pins → 01-64
<b>Fig. 5</b>	<b>Series 316...001</b>	<b>Standoff Height = .594</b>
	316-XX-1__-41-001000	Specify # of pins → 01-64

*For Electrical, Mechanical & Environmental Data, See pg. 4*

*XX=Plating Code See Below*

*For RoHS compliance select  $\diamond$  plating code.*

SPECIFY PLATING CODE XX=		<b>93</b>		<b>43</b> $\diamond$
Sleeve (Pin)		200 $\mu$ " Sn/Pb		200 $\mu$ " Sn
Contact (Clip)		30 $\mu$ " Au		30 $\mu$ " Au