

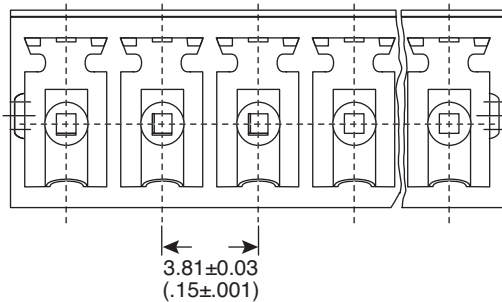
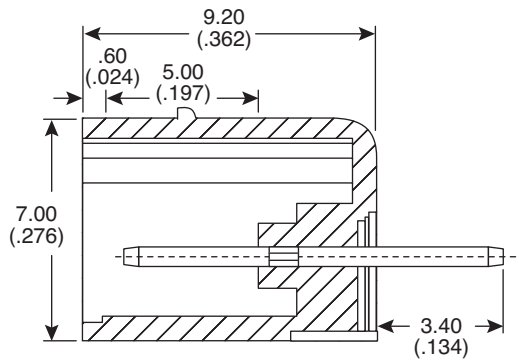
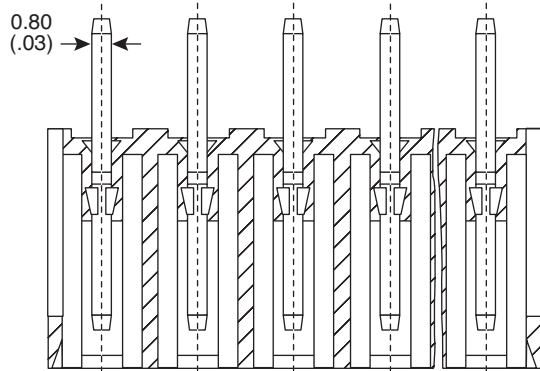
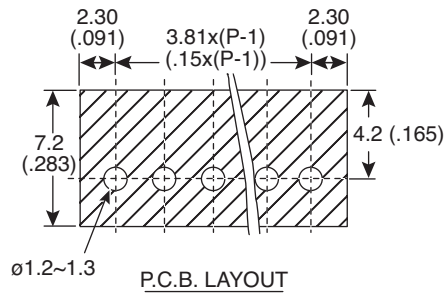
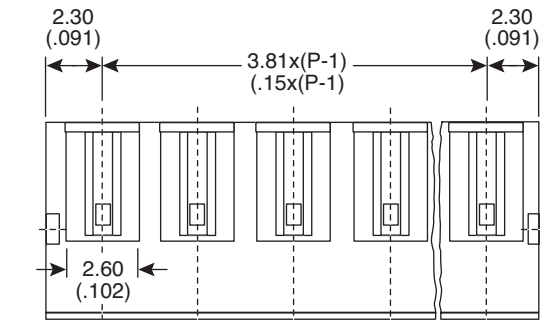
Terminal Blocks

158-P02ECH381VH-E, 158-P03ECH381VH-E, 158-P04ECH381VH-E, 158-P05ECH381VH-E,
158-P06ECH381VH-E, 158-P07ECH381VH-E, 158-P08ECH381VH-E, 158-P09ECH381VH-E,
158-P10ECH381VH-E, 158-P11ECH381VH-E, 158-P12ECH381VH-E



Terminal Blocks

158-P02ECH381VH-E, 158-P03ECH381VH-E, 158-P04ECH381VH-E, 158-P05ECH381VH-E, 158-P06ECH381VH-E, 158-P07ECH381VH-E,
158-P08ECH381VH-E, 158-P09ECH381VH-E, 158-P10ECH381VH-E, 158-P11ECH381VH-E, 158-P12ECH381VH-E



Dimensions: mm (in.)

SPECIFICATIONS

| | |
|--------------------------------------|--------------------------|
| Rating: | 300V 8A |
| Pitch: | 3.81 mm |
| Insulation Withstand Voltage: | 1000 VAC min. |
| Insulation Resistance: | 1000 MΩ or more @ 500VDC |
| Temperature Range: | -40°C ~ +130°C |
| Solder Pin: | Copper, tin plated |
| Housing: | PBT, green |

RoHS Compliant

Date Last Revised: 4-13-07

Available from Mouser Electronics
1-800-346-6873 / www.mouser.com

KC- 301126

Specifications are subject to change without notice. No liability or warranty implied by this information. Environmental compliance based on producer documentation.