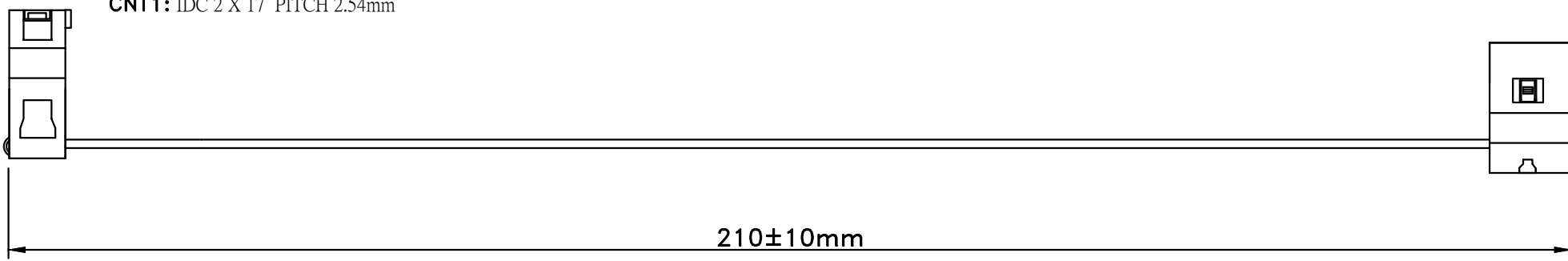


CNT2: IDC PIN 2 x 17 PITCH 2.54mm


CNT1: IDC 2 X 17 PITCH 2.54mm



- ELECTRICAL PROPERTIES:**
- 100% OPEN SHORT MIS-WIRE TEST
  - Contact Resistance: 2 ohm max
  - Insulation resistance: 10Mega ohm MIN
  - Hi-Pot: 300V DC/10ms

CNT 1:		CNT 2:
1	RED	1
2	GRAY	2
	↓	
33	GRAY	33
34	GRAY	34

NO.	DESCRIPTION	QTY	UNITS
3	CNT 2: IDC PIN 2 x 17 PITCH 2.54mm	1	PCS
2	CNT 1: IDC 2 X 17 PITCH 2.54mm	1	PCS
1	UL2561 28AWG PITCH 1.27mm 34C	1	PCS

Tolerance: .X ± .XX ± .XXX ± X' ± .X' ±	Approved by:	 SMOOTH CORD & CONNECTOR CO., LTD.	
	Checked by:		customer p/n:
	Drawn by:		IDC 34P / IDC PIN 34P
	Date:		Smooth p/n:
	Scale: Unit:		Description:
None m/m		DWG NO:	
Specification Use Only		SHEET: 1/1	REV: B