

This compact stringpot provides the ultimate in ease-of-use and flexibility. This sensor fits in small spaces, doesn't need perfect alignment, mounts in just about any direction imaginable and has a unique circuit that lets the user choose 4-20mA or 0-10Vdc output on the fly.

The SPD comes in 4 different stroke ranges up to 50 inches and is constructed with a rugged polycarbonate body sealed against IP67 (wet) environments for both indoor and outdoor applications. Every unit ships with a stainless steel mounting bracket that lets the user easily point the measuring cable in the direction needed.

High value and economical price makes this sensor the perfect choice for the OEM and single-piece user alike. Customer specific designs available for the OEM, please contact factory for more information.

SPD

Compact, High-Performance String Pot Dual Output to 50"

Comes With Both 4...20mA and 0...10V Output

Rugged IP67 Polycarbonate Enclosure

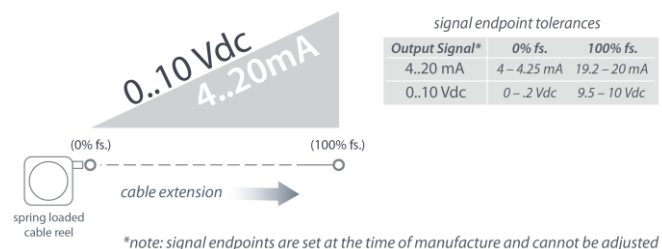
Mounting Bracket & Sensor Cover Adjusts for Easy Installation

IN STOCK for Quick Delivery!

Specifications

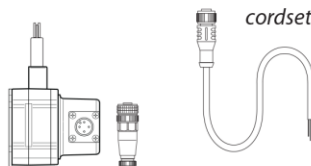
| | |
|--|---|
| Full Stroke Range Options | 0-4.75 to 0-50 inches |
| User Selectable Output Signal | 4...20 mA (2-wire) / 0...10 Vdc |
| Input Voltage, 4...20 mA option | 8-40 VDC |
| Input Voltage, 0...10 Vdc option | 12-32 VDC |
| Accuracy | see ordering information |
| Repeatability | .05% FS. |
| Resolution | essentially infinite |
| Measuring Cable | .019-inch dia. nylon-coated stainless steel |
| Sensor | plastic-hybrid precision potentiometer |
| Cycle Life | see ordering information |
| Electrical Connection | M12 connector (mating plug included) |
| Enclosure | glass-filled polycarbonate |
| Environmental | IP 67 |
| Operating Temperature | -40° to 160° F (-40° to 70° C) |
| Weight (includes sensor, bracket and connector) | .4 lbs (.19 kg) |

Output Signal

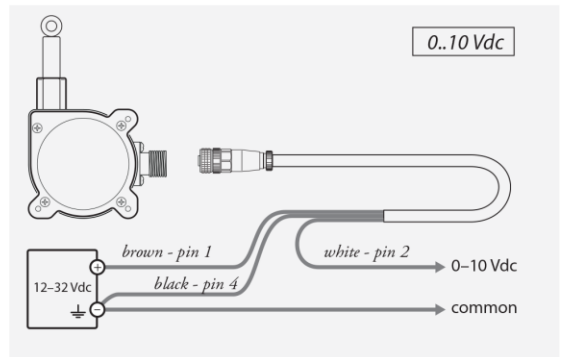
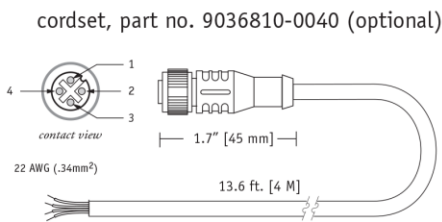
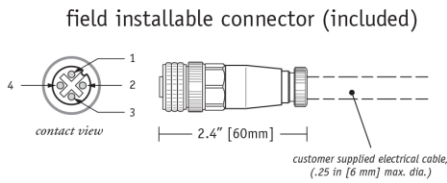
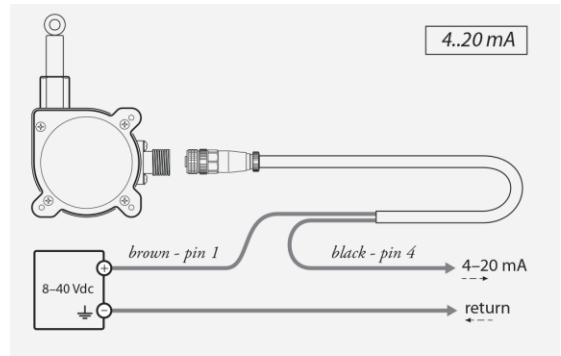


Electrical Connection

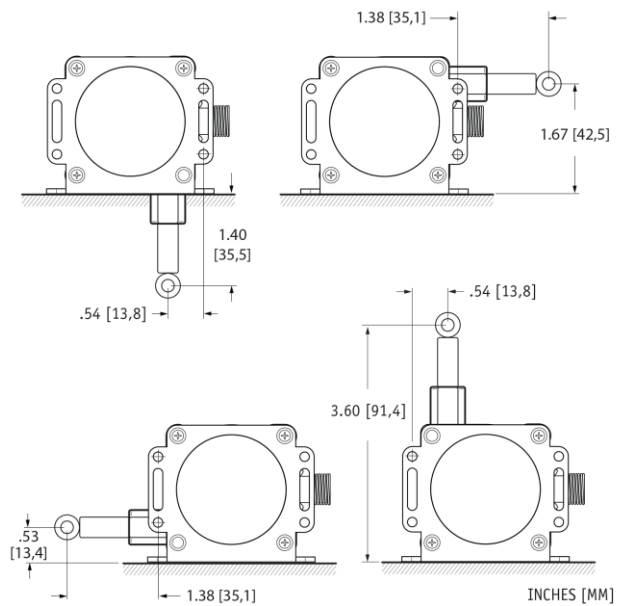
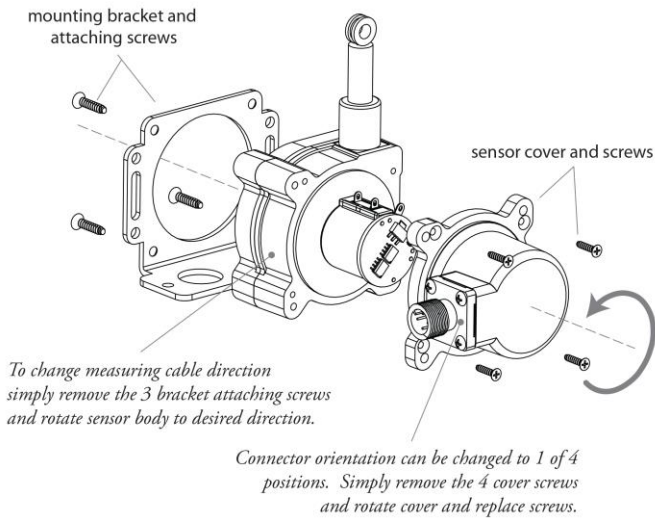
Output Signals



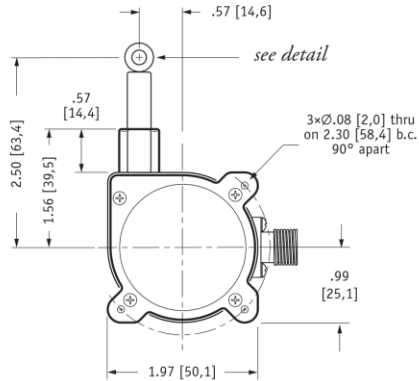
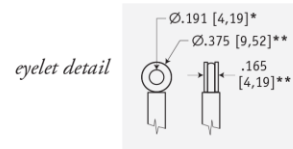
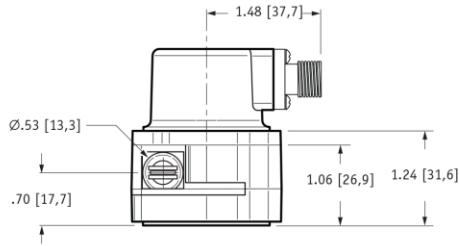
| 0...10 Vdc | 4...20 mA | pin | pin - colorcode |
|-------------|------------|-----|-----------------|
| 12...32 Vdc | 8...40 Vdc | 1 | 1 - brown |
| 0...10 Vdc | n/c | 2 | 2 - white |
| n/c | n/c | 3 | 3 - blue |
| common | 4...20 mA | 4 | 4 - black |



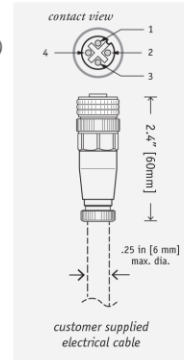
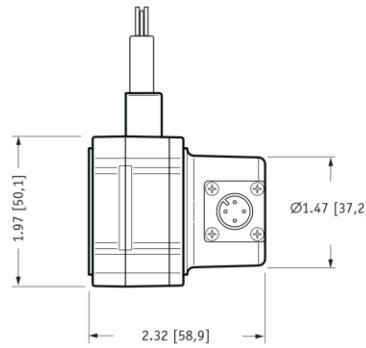
Mounting Options



SPD-xx-3 w/o Mounting Bracket



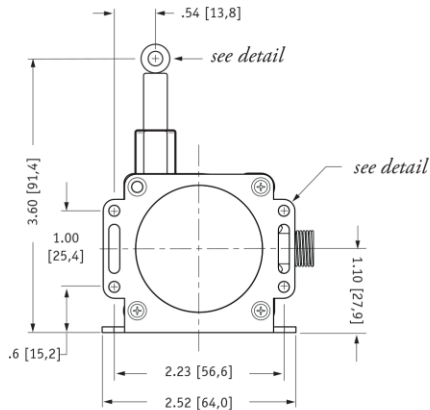
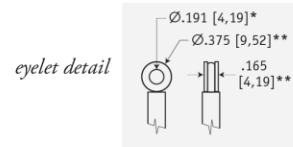
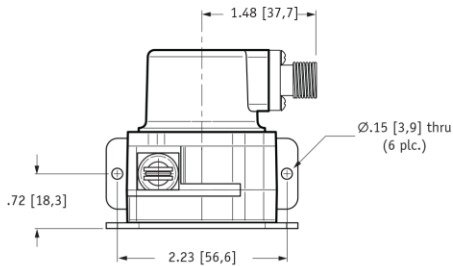
mating plug (included)



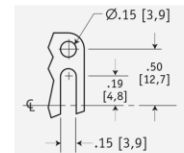
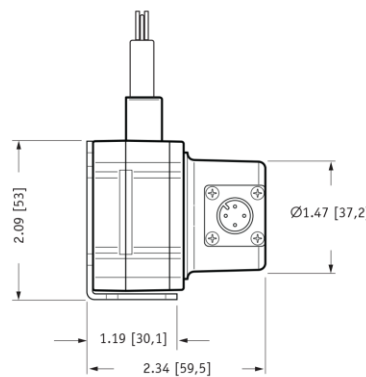
DIMENSIONS ARE IN INCHES [MM]
tolerances are 0.04 IN. [1,0 MM] unless otherwise noted.

* tolerance = +.005 -.001 [+0,1 -0,0]
** tolerance = +.005 -.005 [+0,1 -0,1]

SPD-xx-3 w/ Mounting Bracket



bracket detail



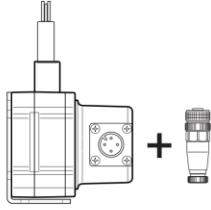
DIMENSIONS ARE IN INCHES [MM]
tolerances are 0.04 IN. [1,0 MM] unless otherwise noted.

* tolerance = +.005 -.001 [+0,1 -0,0]
** tolerance = +.005 -.005 [+0,1 -0,1]

SPD

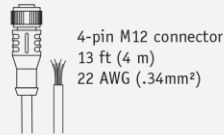
Compact, High-Performance • Dual Output to 50"

Ordering Information



includes sensor, mounting bracket
& mating connector.

| Part Number | full stroke range | accuracy | max. acceleration | measuring cable tension (± 25%) | cycle life |
|-----------------|----------------------|----------|----------------------|---------------------------------------|------------|
| SPD-4-3 | 4.75 in (120 mm) | 1.00% | 11 g | 11.5 oz. (3,2 N) | 2.5M |
| SPD-12-3 | 12.5 in (317 mm) | .25% | 11 g | 13.9 oz. (3,7 N) | 500K |
| SPD-25-3 | 25 in (635 mm) | .25% | 11 g | 11.5 oz. (3,2 N) | 500K |
| SPD-50-3 | 50 in (1270 mm) | .25% | 11 g | 11.5 oz. (3,2 N) | 250K |



4-pin M12 connector
13 ft (4 m)
22 AWG (.34mm²)

Optional Cordset

Part No. **9036810-0040** for short-run connections, an optional
13-ft. cordset with 4-pin M12 connector

NORTH AMERICA

Measurement Specialties, Inc.,
a TE Connectivity company
20630 Plummer Street
Chatsworth, CA 91311
Tel +1 800 423 5483
Tel +1 818 701 2750
Fax +1 818 701 2799
info@celesco.com

TE.com/sensorsolutions

Measurement Specialties, Inc., a TE Connectivity company.

Measurement Specialties, TE Connectivity, TE Connectivity (logo) and EVERY CONNECTION COUNTS are trademarks. All other logos, products and/or company names referred to herein might be trademarks of their respective owners.

The information given herein, including drawings, illustrations and schematics which are intended for illustration purposes only, is believed to be reliable. However, TE Connectivity makes no warranties as to its accuracy or completeness and disclaims any liability in connection with its use. TE Connectivity's obligations shall only be as set forth in TE Connectivity's Standard Terms and Conditions of Sale for this product and in no case will TE Connectivity be liable for any incidental, indirect or consequential damages arising out of the sale, resale, use or misuse of the product. Users of TE Connectivity products should make their own evaluation to determine the suitability of each such product for the specific application.

© 2015 TE Connectivity Ltd. family of companies All Rights Reserved.

SPD 12/01/2015