

TIN LEAD PART NUMBER
 Part number: **HM1L52ZDP499H6P**

LEAD FREE PART NUMBER
 Part number: **HM1L52ZDP499H6PLF**

TABLE-1

	CONTACT CODE		QTE
	DIM-P	DIM-D	
01	5.00		01
02	5.75		-
03	6.50		51
04	7.25		08
19	8.00		--

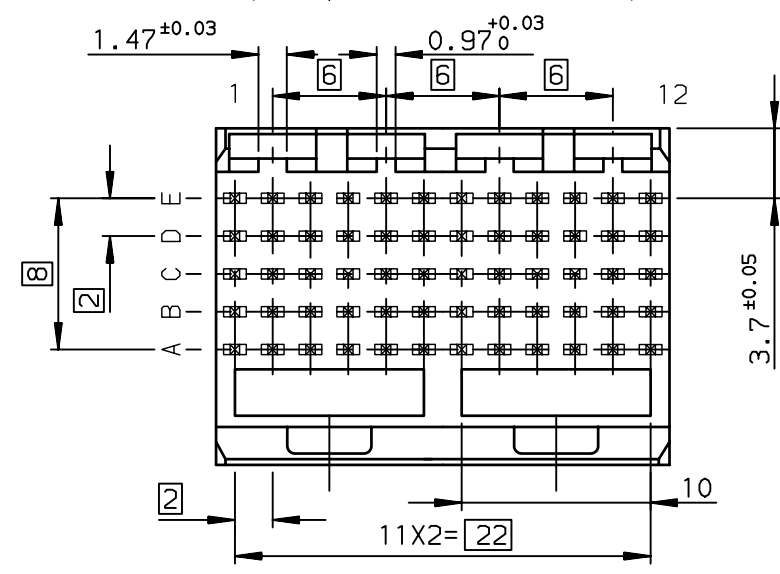
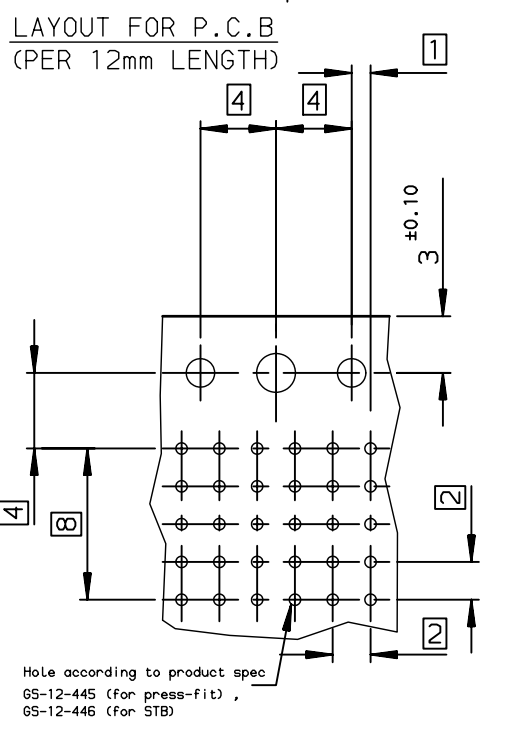
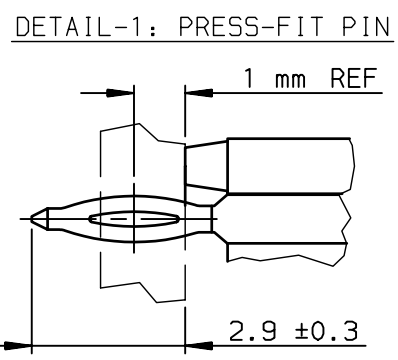
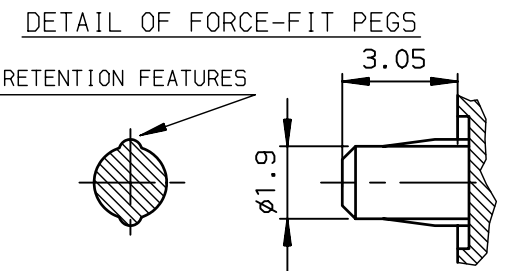


FIGURE-1

	1	2	3	4	5	6	7	8	9	10	11	12
E	03	03	03	03	03	03	03	03	03	03	03	03
D	03	03	03	03	03	03	03	03	03	03	03	03
C	03	03	03	03	03	03	03	03	03	03	03	03
B	03	03	03	03	03	03	03	03	03	03	03	03
A	04	04	04	03	03	01	03	04	04	04	04	04

SPECIFIC DATAS: SELECTIVE CONTACT LOADING
 NOTE-2: FLAT ROCK INSERTION TOOLING, ON ALL THIS SURFACE
 NOTE-3: EYE OF THE NEEDLE PRESS FIT PIN TYPE
 NOTE-4: REAR CENTRAL SUPPORT FOR BETTER ASSY ON PCB
 NOTE-5: IF SUFFIX "P" IS ADDED IN P/N PACKAGING IS IN TRAYS BUT CONNECTOR MARKING IS WITHOUT "P"
 EXAMPLE: HM1XXXXXXXXXH6P, MARKED HM1XXXXXXXXXH6

GENERAL CHARACTERISTICS AND ROHS INFORMATIONS:
 SEE PRODUCT SPECIFICATION GS-12-445

European Views

www.fciconnect.com		surface ISO 1302	tolerance std ISO 406 ISO 1101	projection mm
TOLERANCES UNLESS OTHERWISE SPECIFIED				size A3
Dr	LENOIR	26/08/32	ANGULAR	Scale 2.5
Eng	LENOIR	2006/03/27	LINEAR	ECN LS07-0184
Chr	LEGARE	2006/03/27	0.xx' ± 2'	Spec ref -
Appr	LEGARE	2006/03/27	Product family METRAL	
FCi		title METRAL RA HDR 5 ROW PFIT		Rev. C
-		2MOD - Specific loading		dwg no C-8626-11310
-		catalog no		CUSTOMER sheet 1 of 1

rev	ecn no	dr	date
A	LS06-0019	MLE	2006/03/27
B	LS06-0097	LGO	2006/07/21
C	LS07-0184	MLE	2007/07/27
-	-	-	-
-	-	-	-
-	-	-	-

Copyright FCI. FCI