

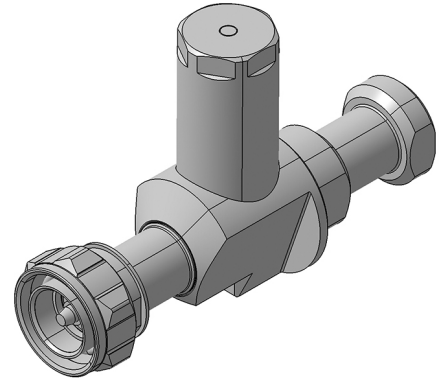
EMP Protector 3400.41.0266

Description

Quarter-wave stub technology

Benefits

- Broad-band design
- The protector can also be installed reversely
- Multi-band operation
- Compliant to IEC 61643-21



Product Configuration

Main path connectors	Port 1: <u>unprotected</u> , 7/16 plug (male) - Port 2: <u>protected</u> , 7/16 jack (female)
Mounting and grounding	MH110 (bulkhead mounting), M8 (screw), brk (bracket)
Side of bulkhead	protected side

Technical Data

Electrical Data

Impedance	50 Ω
Frequency range	690 - 2690 MHz
Return loss	≥ 28 dB
Insertion loss	0.1 dB typ. ≤ 0.1 dB
RF CW power	≤ 1500 W
PIM 3rd order	-160 dBc max.

Surge current handling capability	100 single / 80 kA multiple kA (test pulse 8/20 μs)
Residual pulse energy	11 μJ typically (test pulse 4 kV 1.2/50 μs / 2 kA 8/20 μs) main path - protected side

Mechanical Data

Number of matings	500
Weight	490 g

Environmental Data

Operating temperature	-40 °C to +85 °C
Waterproof degree	IP67 (according to IEC 60529, data refer to the coupled state)
2011/65/EU (RoHS - including 2015/863 and 2017/2102)	compliant acc. Annex III

Material Data

Piece Parts	Material	Surface Plating
Housing	Brass	SUCOPLATE (R) Plating
Port 1 center contact	Brass	Silver Plating
Port 2 center contact	Bronze	Silver Plating

Related Documents

Outline drawing	DOU-00197354
Mounting instruction	DOC-0000176104

Mouser Electronics

Authorized Distributor

Click to View Pricing, Inventory, Delivery & Lifecycle Information:

[HUBER+SUHNER:](#)

[3400.41.0266](#)