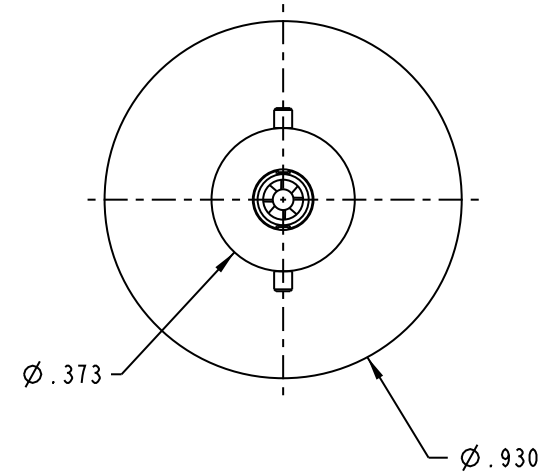
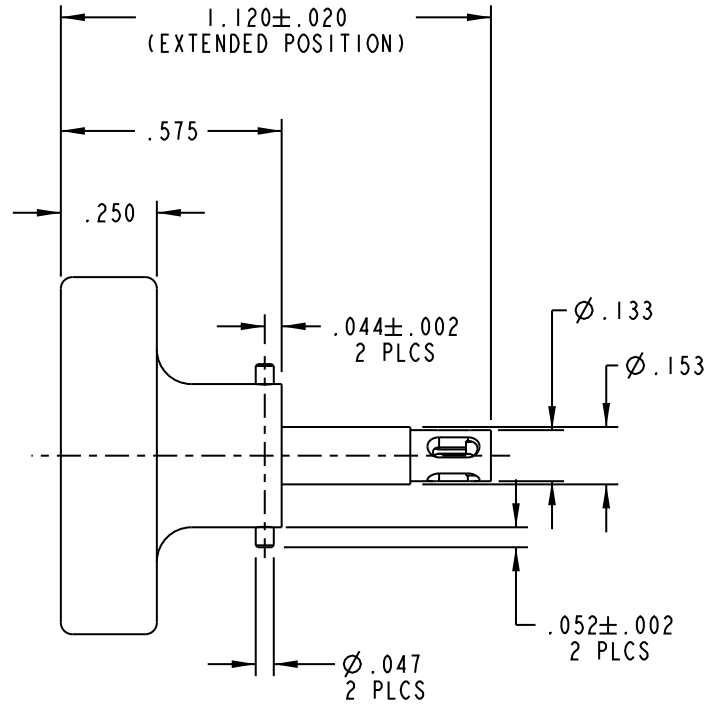
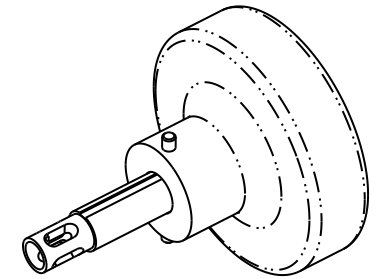



DATA CONTAINED IN THIS DOCUMENT IS PROPRIETARY TO EMERSON CONNECTIVITY SOLUTIONS AND SHALL NOT BE DISCLOSED, COPIED OR USED FOR PROCUREMENT OR MANUFACTURE WITHOUT EXPRESS WRITTEN PERMISSION

REVISIONS			
REV	DESCRIPTIONS	DATE	APPROVED
N	ECO 52674	11/3/10	T. KOHLER



1. FINISH: BODY: TFS-1A (NICKEL)
LOCATOR: SILICONE PROTECTANT
LOCK PINS: PASSIVATE

NOTES: UNLESS OTHERWISE SPECIFIED.

INTERPRET DRAWING PER MIL-STD-100. DIMENSIONS ARE IN INCHES AND INCLUDE FINISH THICKNESS UNLESS OTHERWISE SPECIFIED.		TOL: UNLESS SPECIFIED. .XX ± .02 .XXX ± .010 ANGLE ± 1°		 Cinch Connectivity Solutions 299 Johnson Ave, Ste. 100 Waseca, MN 56093 1-800-247-8256	
DRN C. WALLACE	11/3/10	MATERIAL:		TITLE: POSITIONER, CONTACT, 150C, 150AC SMALL BODY AND AC SERIES	
CHK T. KOHLER	11/4/10	FINISH:		SIZE A	CAGE CODE 14949
QUALITY				DRAWING NO. 010-0041	REV. N
MANUF				DATE 9/14/84	SHEET 1 OF 3
APPROVED					
SURFACE AREA	PROJ TITLE NO. 010-0041	DO NOT SCALE DWG		SCALE 2/1	