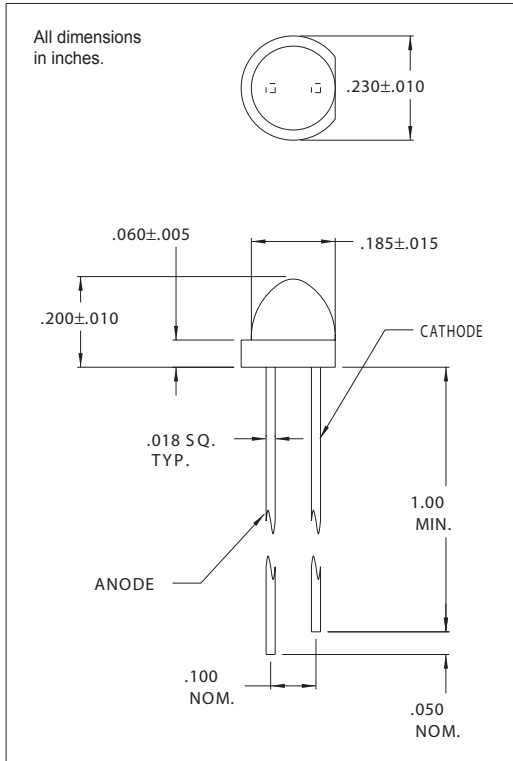


4304S Solid State LED Lamps-High Brite Low Profile T-1 3/4 (5mm) Description and Features



- High Brite
- Wide viewing angle
- RoHS Compliant

Electro-Optical Characteristics and Ratings

PART NUMBER	4304S 1	4304S 5
Output Color	Red	Green
Diffusion	Diffused	Diffused
Package Color	Red	Green
Test Current (mA)	10	10
Forward Voltage Typ. (V)	1.9	2.1
Forward Voltage Max. (V)	2.4	2.7
Luminous Intensity Min. (mcd)	5	6.7
Luminous Intensity Typ. (mcd)	7	10
Luminous Intensity Max. (mcd)	-	-
Peak Wavelength (nm)	635	565
Viewing Angle 2θ 1/2 (degrees)	50	50
Power Dissipation (mW)	105	180
Capacitance @ $V=0$ (pF)	45	20