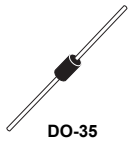


## Diac in DO-35 with tight $V_{BO}$



### Features

- $V_{BO}$ : 32 V
- Low breakover current: 15  $\mu$ A max.
- Breakover voltage range: 30 to 34 V

### Applications

- Triggering device for Triac or SCR based motor / light dimmer
- 32 V trigger device for oscillator circuit
- Start up triggering in lighting ballast for CFL, TL or LED lamps

### Description

Functioning as a trigger diode with a fixed voltage reference, the **DB3TG** can be used in conjunction with Triacs for simplified gate control circuits or as a starting element in fluorescent lamp ballasts.

#### Product status link

[DB3TG](#)

#### Product summary

Part number	$V_{BO}$
<b>DB3TG</b>	30 - 34 V

# 1 Characteristics

**Table 1. Absolute maximum ratings (limiting values),  $T_j = 25\text{ °C}$  unless otherwise specified**

Symbol	Parameter	Value	Unit
$I_{TRM}$	Repetitive peak on-state current, $t_p = 20\ \mu\text{s}$ , $F = 120\ \text{Hz}$	2.00	A
$T_{stg}$	Storage junction temperature range	-40 to +125	$^{\circ}\text{C}$
$T_j$	Operating junction temperature range	-40 to +125	$^{\circ}\text{C}$

**Table 2. Electrical characteristics ( $T_j = 25\text{ °C}$  unless otherwise specified)**

Symbol	Parameter	Test conditions	Value	Unit	
$V_{BO}$	Breakover voltage <sup>(1)</sup>	$C = 10\ \text{nF}$ <sup>(2)</sup>	Min.	30	V
			Typ.	32	
			Max.	34	
$ V_{BO1} - V_{BO2} $	Breakover voltage symmetry	$C = 10\ \text{nF}$ <sup>(2)</sup>	Max.	2	V
$\Delta V$	Dynamic breakover voltage <sup>(1)</sup>	$V_{BO}$ and $V_F$ at 10 mA	Min.	9	V
$V_O$	Output voltage <sup>(1)</sup>	See Figure 2. Test circuit, ( $R = 20\ \Omega$ )	Min.	5	V
$I_{BO}$	Breakover current <sup>(1)</sup>	$C = 10\ \text{nF}$ <sup>(2)</sup>	Max.	15	$\mu\text{A}$
$t_r$	Rise time <sup>(1)</sup>	See Figure 3. Rise time measurement	Max.	2	$\mu\text{s}$
$I_R$	Leakage current <sup>(1)</sup>	$V_R = 0.5 \times V_{BO\ \text{max}}$	Max.	10	$\mu\text{A}$
$I_P$	Peak current <sup>(1)</sup>	See Figure 2. Test circuit	Min.	0.30	A

1. Applicable to both forward and reverse directions.
2. Connected in parallel to the device

Figure 1. Voltage - current characteristic curve.



Figure 2. Test circuit

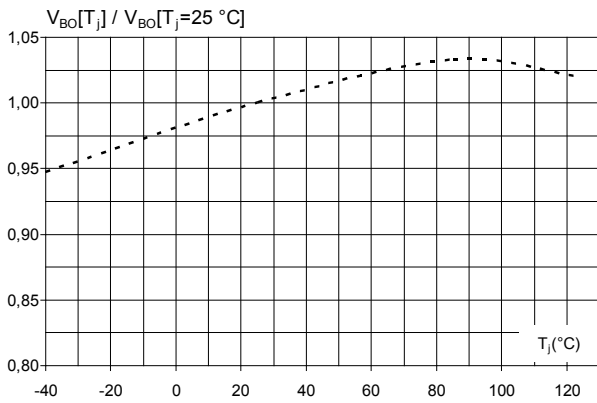


Figure 3. Rise time measurement

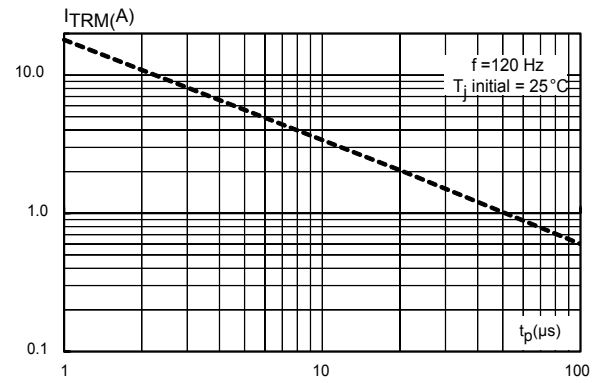


## 1.1 Characteristics (curves)

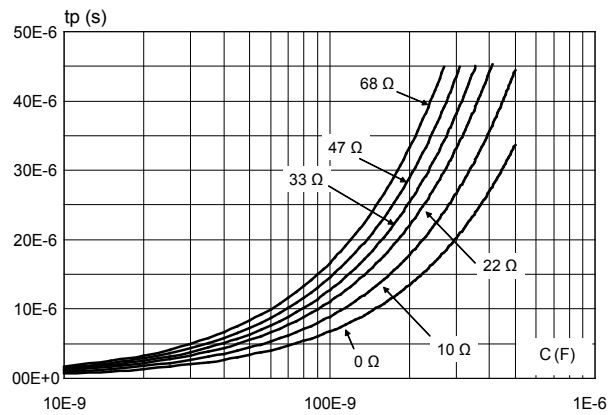
**Figure 4. Relative variation of  $V_{BO}$  versus junction temperature (typical values)**



**Figure 5. Peak on-state current versus Triac gate current pulse duration  $t_p$**



**Figure 6. Triac gate current pulse duration  $t_p$  (to have  $I_p > 50 \text{ mA}$ ) versus  $R_s$  and  $C$  values (typical values)**



Note: according to Figure 2. Test circuit

## 2 Package information

In order to meet environmental requirements, ST offers these devices in different grades of **ECOPACK** packages, depending on their level of environmental compliance. ECOPACK specifications, grade definitions and product status are available at: [www.st.com](http://www.st.com). ECOPACK is an ST trademark.

### 2.1 DO-35 package information

Figure 7. DO-35 package outline

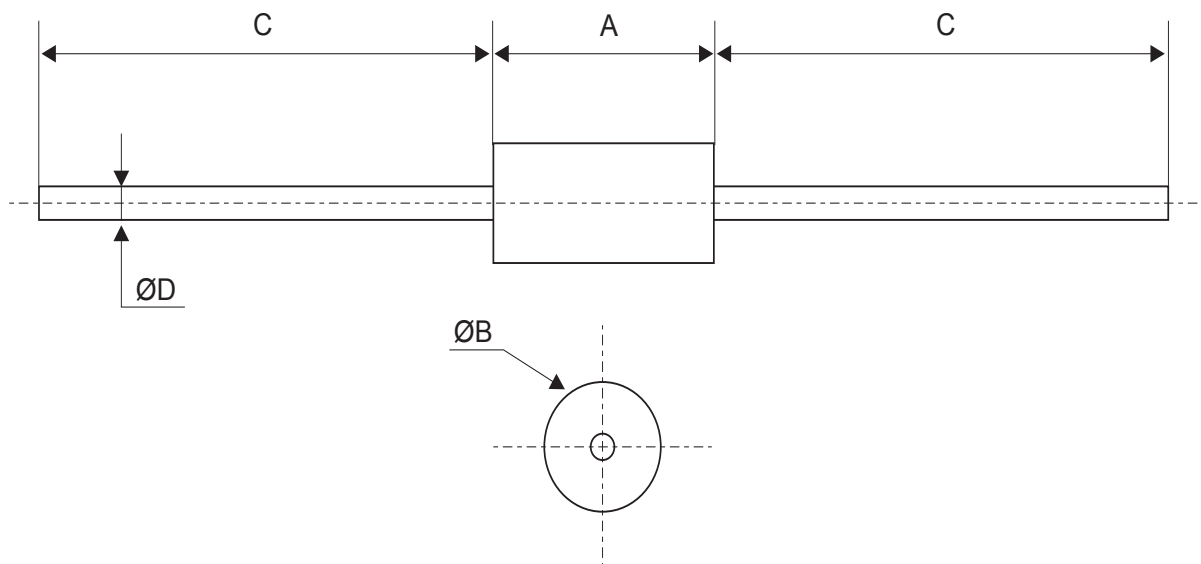


Table 3. DO-35 package mechanical data

Ref.	Dimensions			
	Millimeters		Inches <sup>(1)</sup>	
	Min.	Max.	Min.	Max.
A	3.05	4.50	0.120	0.177
B	1.53	2	0.060	0.079
C	28	31	1.102	1.220
D	0.46	0.55	0.018	0.022

1. Inches given for reference only

### 3 Ordering information

Figure 8. Ordering information scheme

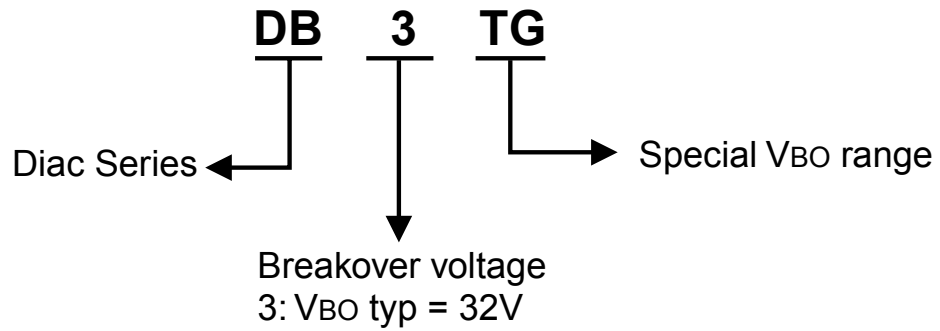


Table 4. Ordering information

Order code	Marking	Package	Weight	Base qty.	Delivery mode
DB3TG	DB3TG (Blue Body Coat)	DO-35	0.15 g	5000	Tape and reel

## Revision history

**Table 5. Document revision history**

Date	Version	Changes
Oct-2001	2	Previous release.
07-May-2019	3	Updated <a href="#">Section 1.1 Characteristics (curves)</a> .



**IMPORTANT NOTICE – PLEASE READ CAREFULLY**

STMicroelectronics NV and its subsidiaries (“ST”) reserve the right to make changes, corrections, enhancements, modifications, and improvements to ST products and/or to this document at any time without notice. Purchasers should obtain the latest relevant information on ST products before placing orders. ST products are sold pursuant to ST’s terms and conditions of sale in place at the time of order acknowledgement.

Purchasers are solely responsible for the choice, selection, and use of ST products and ST assumes no liability for application assistance or the design of Purchasers’ products.

No license, express or implied, to any intellectual property right is granted by ST herein.

Resale of ST products with provisions different from the information set forth herein shall void any warranty granted by ST for such product.

ST and the ST logo are trademarks of ST. For additional information about ST trademarks, please refer to [www.st.com/trademarks](http://www.st.com/trademarks). All other product or service names are the property of their respective owners.

Information in this document supersedes and replaces information previously supplied in any prior versions of this document.

© 2019 STMicroelectronics – All rights reserved