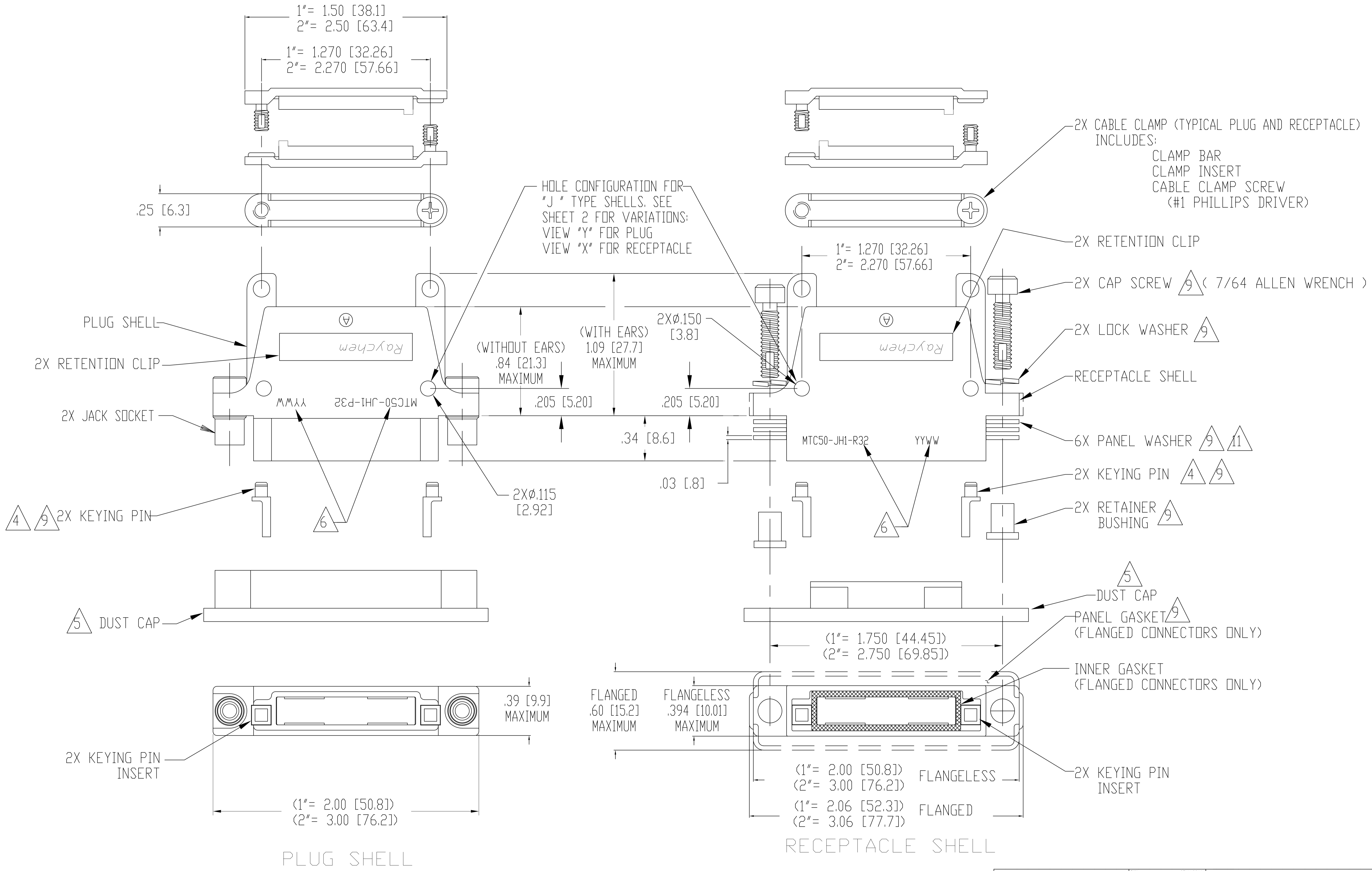


| REVISONS | | | |
|----------|-------------|-------------|---------|
| LOC | DIST | DESCRIPTION | DATE |
| P | REV PER ECO | 14-001211 | 1-27-13 |
| CT | | | |



| | | | | |
|--|----------------------|--------------------------|--|---|
| THIS DRAWING IS A CONTROLLED DOCUMENT. | | DIN C.C.THOMAS 27JAN2014 | | TE Connectivity |
| DIMENSIONS: INCHES | | CHK K.HOGAN 1-27-13 | | |
| TOLERANCES UNLESS OTHERWISE SPECIFIED: | | APPD K.HOGAN 1-27-13 | | NAME HOUSING ASSEMBLY, PLUG AND RECEPTACLE MTC50 SERIES |
| 0. PLC ± .005 [0.13] | 1. PLC ± .005 [0.13] | APPLICATION SPEC | | SIZE A1 |
| 2. PLC ± .02 [0.5] | 3. PLC ± .005 [0.13] | MATERIAL | | CAGE CODE 00779 |
| 4. PLC ± .005 [0.13] | ANGLES ± .005 [0.13] | FINISH | | DRAWING NO. MTC50-XHX-XXX-XXX |
| | | WEIGHT | | RESTRICTED TO |
| | | CUSTOMER DRAWING | | SCALE NTS SHEET 1 OF 2 REV P |

1. PART NUMBER VARIABLES: (NOT ALL POSSIBLE CONFIGURATIONS SHOWN ON THIS DRAWING ARE AVAILABLE AS STANDARD PRODUCTS. PLEASE CHECK WITH RAYCHEM TO CONFIRM AVAILABILITY.)

MTC50-XHX-XXX-XXX

MODIFICATIONS: REFER TO APPLICABLE MOD DESCRIPTION SHEET. (THIS SPACE BLANK IF NO MODIFICATION IS APPLICABLE)

- 1= W/O CABLE CLAMP AND W/O EARS ON SHELL
- 2= WITH CABLE CLAMP AND EARS ON SHELL
- 3= W/O CABLE CLAMP BUT WITH EARS ON SHELL
- 4= WITH FLAT CABLE CLAMP (SEE VIEW "V") AND EARS ON SHELL

- 1= BLACK ANODIZED (WHITE MARKING)
- 2= ELECTROLESS NICKEL (BLACK MARKING)
- 3= CADMIUM OVER NICKEL UNDERPLATE (BLACK MARKING)
- P= PLUG
- R= FLANGELESS RECEPTACLE
- F= FLANGED RECEPTACLE: STANDARD ("J" TYPE) HAS FLUOROSILICONE GASKET SHIELDED ("S" TYPE) HAS CONDUCTIVE GASKET
- 1= 1 INCH
- 2= 2 INCH

- J= STANDARD
- S= SHIELDED
- Y= SPECIAL: REFER TO INDIVIDUAL SPECIFICATION CONTROL DRAWINGS FOR DESCRIPTIONS

2. MATERIAL:
- A) SHELL ALUMINUM ALLOY PER ASTM B85
 - B) RETENTION CLIP COPPER ALLOY 172 PER ASTM B194
 - C) CAP SCREW STAINLESS STEEL PER SAE-AMS-QQ-S-763, 300 SERIES
 - D) JACK SOCKET OR JACK SCREW STAINLESS STEEL PER SAE-AMS-QQ-S-763, 300 SERIES
 - E) PANEL OR LOCK WASHER STAINLESS STEEL PER SAE-AMS-QQ-S-763, 300 SERIES
 - F) KEYING PIN POLYARYLENE THERMOPLASTIC, MOLDED
 - G) KEY PINS INSERT POLYARYLENE THERMOPLASTIC, MOLDED
 - H) CLAMP BAR STAINLESS STEEL PER SAE-AMS-QQ-S-763, 300 SERIES
 - J) CLAMP INSERT SILICONE ELASTOMER PER MIL-R-25988B
 - K) CAPTIVE SCREW STAINLESS STEEL PER SAE-AMS-QQ-S-763, 300 SERIES

3. FINISH:

| | APPLIES TO NICKEL PLATED CONNECTORS | APPLIES TO CADMIUM PLATED CONNECTORS | APPLIES TO BLACK ANODIZED CONNECTORS |
|------------------------------|---|--|---|
| A) SHELL | NICKEL PLATED PER SAE-AMS-C-26074 CLASS 3, GRADE B | CADMIUM PLATED PER SAE-AMS-QQ-P-416 OVER NICKEL UNDERPLATE | BLACK ANODIZED PER MIL-A-8625, TYPE II, CLASS 2 |
| B) RETENTION CLIP | NICKEL PLATED PER SAE-AMS-C-26074 CLASS 2, .00002 MINIMUM | CADMIUM PLATED PER SAE-AMS-QQ-P-416 | NICKEL PLATED PER SAE-AMS-C-26074 CLASS 2, .00002 MINIMUM |
| C) CAP SCREW | PASSIVATED PER SAE-AMS-QQ-P-35 | CADMIUM PLATED PER SAE-AMS-QQ-P-416 | PASSIVATED PER SAE-AMS-QQ-P-35 |
| D) JACK SOCKET OR JACK SCREW | PASSIVATED PER SAE-AMS-QQ-P-35 | CADMIUM PLATED PER SAE-AMS-QQ-P-416 | PASSIVATED PER SAE-AMS-QQ-P-35 |
| E) PANEL OR LOCK WASHER | PASSIVATED PER SAE-AMS-QQ-P-35 | CADMIUM PLATED PER SAE-AMS-QQ-P-416 | PASSIVATED PER SAE-AMS-QQ-P-35 |
| F) CLAMP BAR | PASSIVATED PER SAE-AMS-QQ-P-35 | CADMIUM PLATED PER SAE-AMS-QQ-P-416 | PASSIVATED PER SAE-AMS-QQ-P-35 |
| G) CAPTIVE SCREW | PASSIVATED PER SAE-AMS-QQ-P-35 | CADMIUM PLATED PER SAE-AMS-QQ-P-416 | PASSIVATED PER SAE-AMS-QQ-P-35 |

4. APPLICATION INFORMATION:
- A) FOR RECEPTACLE MOUNTING INFORMATION, SEE RAYCHEM DRAWING D652-0012.
 - B) FOR CONNECTOR KEYING CODES, SEE RAYCHEM DRAWING D-659-0080.
 - C) RECEPTACLE CAP SCREWS ARE TO BE TORQUED TO 15 LBF-INCH (1.7 N-m).
 - D) PLUG JACK SOCKETS ARE TO BE TORQUED TO 9 LBF-INCH (1.0 N-m).

- 5. DUST CAP SUPPLIED WITH EACH PLUG AND RECEPTACLE.
- 6. APPROPRIATE PART NUMBER AND DATE CODE ARE STAMPED APPROXIMATELY AS SHOWN.
- 7. THE APPLICABLE RAYCHEM SPECIFICATION FOR THIS PART IS C6111. THIS PART IS NOT QUALIFIED TO C6111.

8. FLANGED RECEPTACLE CONNECTORS CORRECTLY ASSEMBLED AND THE PLUG CONNECTOR PROPERLY ASSEMBLED AND MATED WILL EXHIBIT AN AIR LEAK RATE NOT EXCEEDING .5 CC / SECOND AT 30 PSI AND 25° C. (APPLICABLE ONLY TO FLANGED RECEPTACLES WITH PIN INSERTS)

9. THESE ITEMS ARE SUPPLIED UNASSEMBLED.

10. SEE TABLE II FOR WEIGHTS. WEIGHTS SHOWN ARE WITHOUT DUST CAP.

11. THIS RECEPTACLE MAY BE REAR PANEL MOUNTED BY REMOVING AS MANY PANEL WASHERS AS REQUIRED TO ACCOMMODATE THE THICKNESS OF THE PANEL BEING USED. (SEE TABLE III)

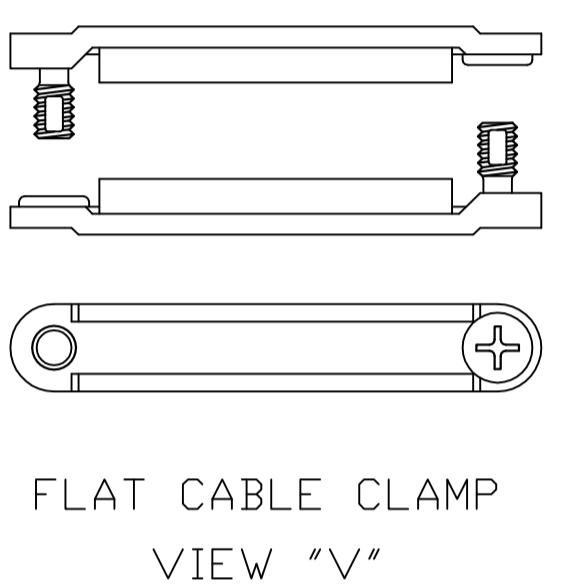
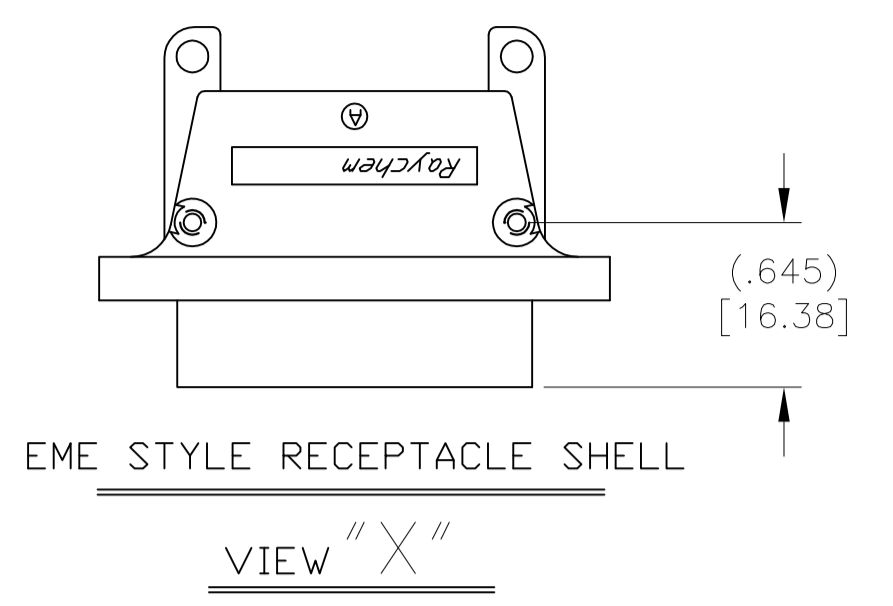
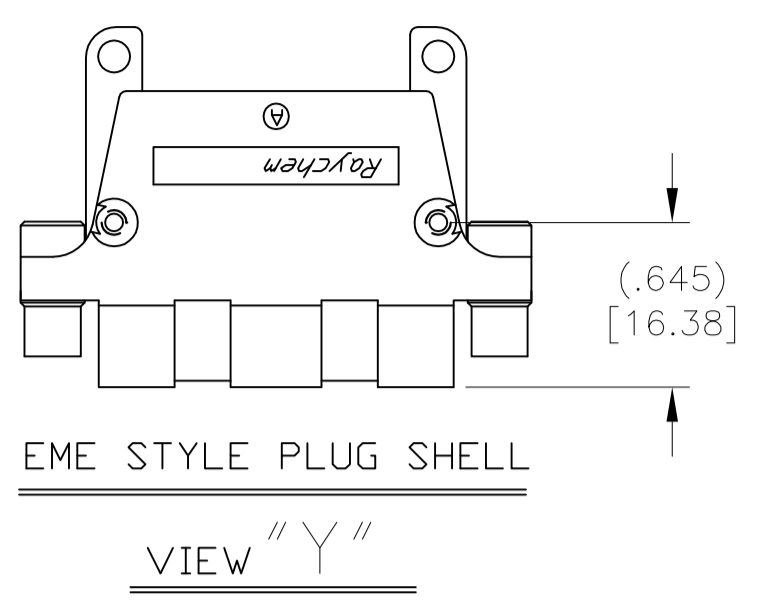


TABLE III

| PANEL THICKNESS | NUMBER OF PANEL WASHERS FOR EACH FASTENER |
|-------------------------|---|
| 0.031/0.036 [0.8]/[0.9] | 2 |
| 0.062/0.067 [1.5]/[1.7] | 1 |
| 0.093/0.097 [2.3]/[2.4] | 0 |

TABLE II

| CONNECTOR SIZE | PLUG | RECEPTACLE | | |
|----------------|----------|-----------------------|----------------|----------------|
| | | FLANGED | FLANGELESS | |
| | | WEIGHT lbs.[gr.] MAX. | | |
| 1 INCH | W/EARS | .0514 [23.315] | .0731 [33.158] | .0606 [27.488] |
| | W/O EARS | .0422 [19.196] | .0555 [25.174] | .0430 [19.504] |
| 2 INCH | W/EARS | .0765 [34.699] | .1292 [58.604] | .1021 [46.312] |
| | W/O EARS | .0494 [22.407] | .0851 [38.601] | .0580 [26.308] |

12. THE CORRECT MATING PART FOR A RAYCHEM MTC50 PLUG SHELL IS A RAYCHEM MTC50 RECEPTACLE SHELL. THE SPECIFIED PERFORMANCE OF THIS CONNECTOR IS BASED ON TEST PERFORMANCE WHEN ASSEMBLED WITH THE CORRECT MATING PART.

| | | | |
|--|--|--|---|
| THIS DRAWING IS A CONTROLLED DOCUMENT. | | DIN C.C.THOMAS 27JAN2014 | TE Connectivity |
| DIMENSIONS: INCHES | | CHK K.HOGAN 1-27-13 | |
| | | TOLERANCES UNLESS OTHERWISE SPECIFIED: | NAME HOUSING ASSEMBLY, PLUG AND RECEPTACLE MTC50 SERIES |
| MATERIAL | | 0. PLC ± - 1. PLC ± - 2. PLC ± .02 [0.5] 3. PLC ± .005 [0.13] 4. PLC ± - ANGLES ± - | APVD K.HOGAN 1-27-13 PRODUCT SPEC APPLICATION SPEC SIZE A1 CASE CODE 00779 DRAWING NO. MTC50-XHX-XXX-XXX RESTRICTED TO CUSTOMER DRAWING |
| SCALE NTS | | SHEET 2 OF 2 | REV P |