

SWITCH - TOGGLE

CATALOG LISTING
101TL144 SERIES
CHART 1

THIS DRAWING COVERS A PROPRIETARY ITEM AND IS THE PROPERTY OF MICRO SWITCH. A DIVISION OF HONEYWELL. THIS DRAWING IS NOT TO BE COPIED OR USED WITHOUT THE APPROVAL OF MICRO SWITCH

101TL144 SERIES CHART 1

CATALOG LISTING



ISSUE

2

REVISIONS

A 0003226
RS
10 FEB 04

CHECK

10 FEB 04

CHECK

19 JUL 99

CHECK

JAF

CHECK

19 JUL 99

DRAWN

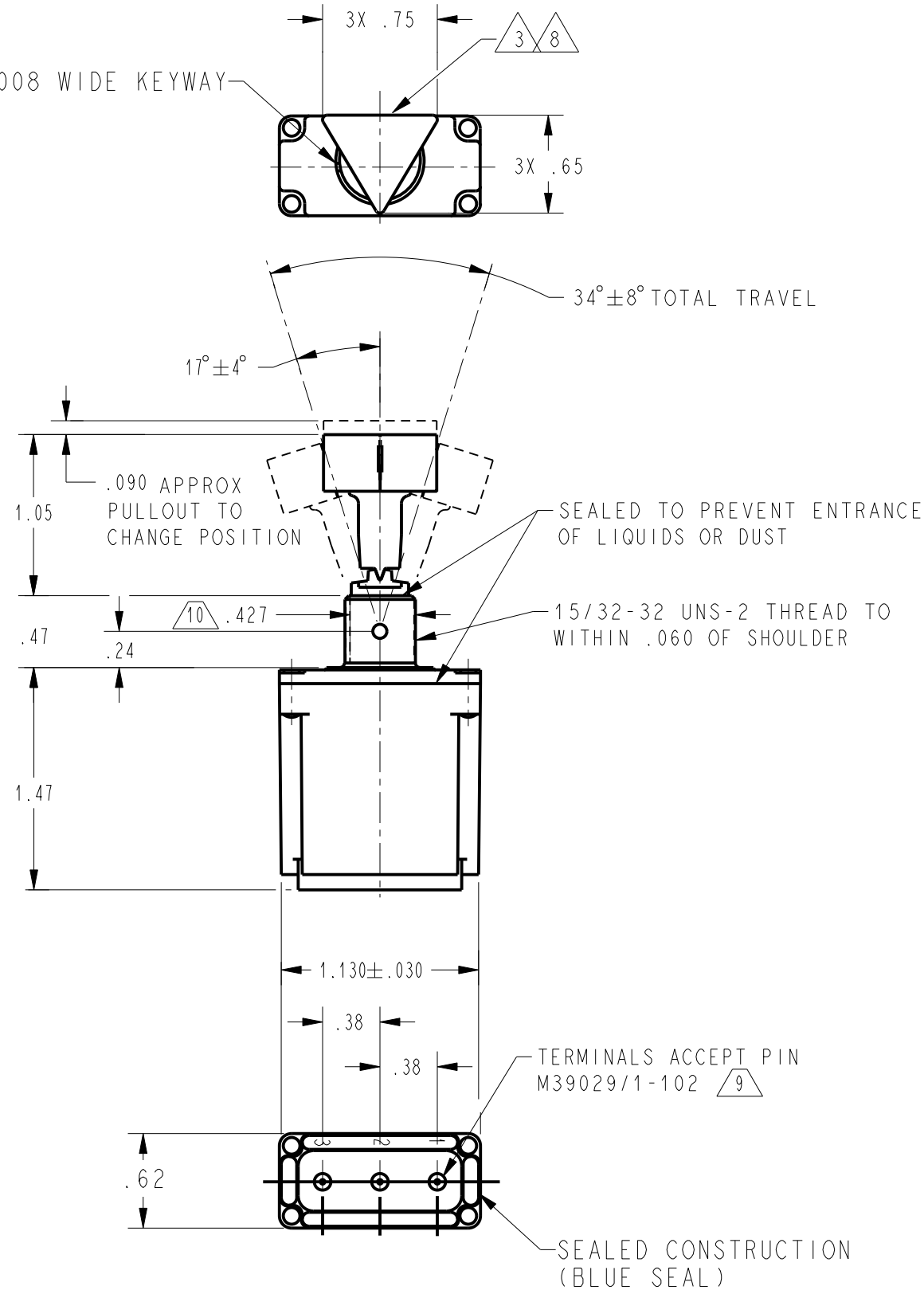
LJK

REPLACES

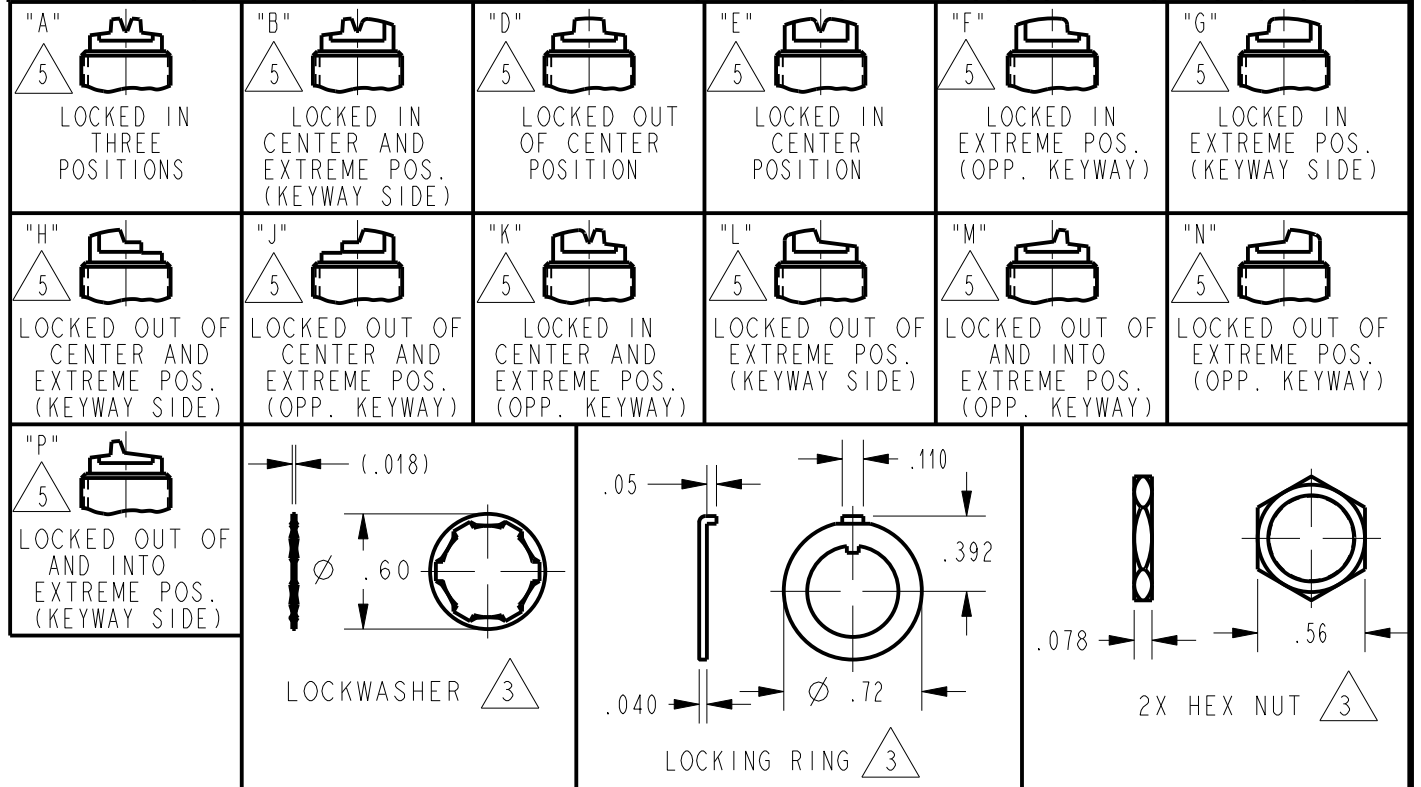
RELEASE NO. PR-24091

PAGE 1 OF 1

.076±.008 WIDE KEYWAY



CATALOG LISTING	AVAILABLE LOCKING COMBINATIONS FOR CONFIGURATION SEE LETTERED DETAILS	CIRCUIT MADE WITH TOGGLE LEVER IN			CURRENT CAPACITY (AMPS)								
		KEYWAY SIDE (1-2, 4-5)	CENTER (1-2, 4-5)	OPPOSITE KEYWAY (2-3, 5-6)	RESISTIVE LOAD				LAMP LOAD				
					DC VOLTS	AC VOLTS	LAMP LOAD	INDUCTIVE LOAD	DC VOLTS	AC VOLTS	LAMP LOAD	INDUCTIVE LOAD	
101TL144-1	A,B,D,E,F,G,H,J,K,L,M,N,P	ON	OFF	ON	28	125	250	125	250	28 VDC	125 VAC	28 VDC	125 VAC
101TL144-2	D,F,G	OFF	NONE	ON	20	.75	.5	15	6	7	4	15	15
101TL144-3	D,F,G	ON	NONE	ON									
101TL144-21	E,F,K,M	NONE	OFF	ON									
101TL144-31	E,F,K,M	NONE	ON	ON									
101TL144-4	F	MOM OFF	NONE	ON									
101TL144-5	E,F,K,L,M,N	MOM ON	OFF	ON									
101TL144-6	F	MOM ON	NONE	OFF									
101TL144-7	E,L,N	MOM ON	OFF	MOM ON	18	.75	.5	11	6	5	2	10	8
101TL144-8	F	MOM ON	NONE	ON									
101TL144-41	F	NONE	MOM OFF	ON									
101TL144-51	E	NONE	ON	MOM ON									
101TL144-61	E	MOM ON	OFF	NONE									



NOTES

- SWITCHES ARE CAPABLE OF WITHSTANDING A TEMPERATURE OF 160° F CONTINUOUSLY AT FULL RATED LOAD
- CIRCUIT DESIGNATION AND MICRO SWITCH CATALOG LISTING MARKED ON SIDE OF SWITCH
- FURNISHED UNASSEMBLED
- UNUSED TERMINAL HOLE MAY BE SEALED WITH PLUGS M83723/28-16
- KEYWAY SHOWN ON LEFT SIDE
- SUFFIX LETTER MUST BE ADDED FOR DESIRED TYPE OF TOGGLE LOCKING. SEE CHART FOR AVAILABLE LOCKING COMBINATIONS
- APPLIES ONLY TO "ON" AND "MOM ON" POSITIONS
- REMOVABLE LEVER CAP HELD IN PLACE BY A PLASTIC LOCKING INSERT IN CAP THREADS
- THE SEALING GROMMET SHALL SEAL ON A SMOOTH WIRE INSULATION OF .068 TO .103 DIAMETERS (14-16 GAGE)
- FROM BOTTOM OF KEYWAY TO MAJOR Ø OF 15/32 THREAD

THIRD ANGLE PROJECTION	
SCALE	FULL
DO NOT SCALE PRINT	
UNLESS OTHERWISE SPECIFIED TOLERANCES ARE	
ONE PLACE	(.0) ±.030
TWO PLACE	(.00) ±.015
THREE PLACE	(.000) ±.005
ANGLES	±
WEIGHT	.20 LBS MAX