

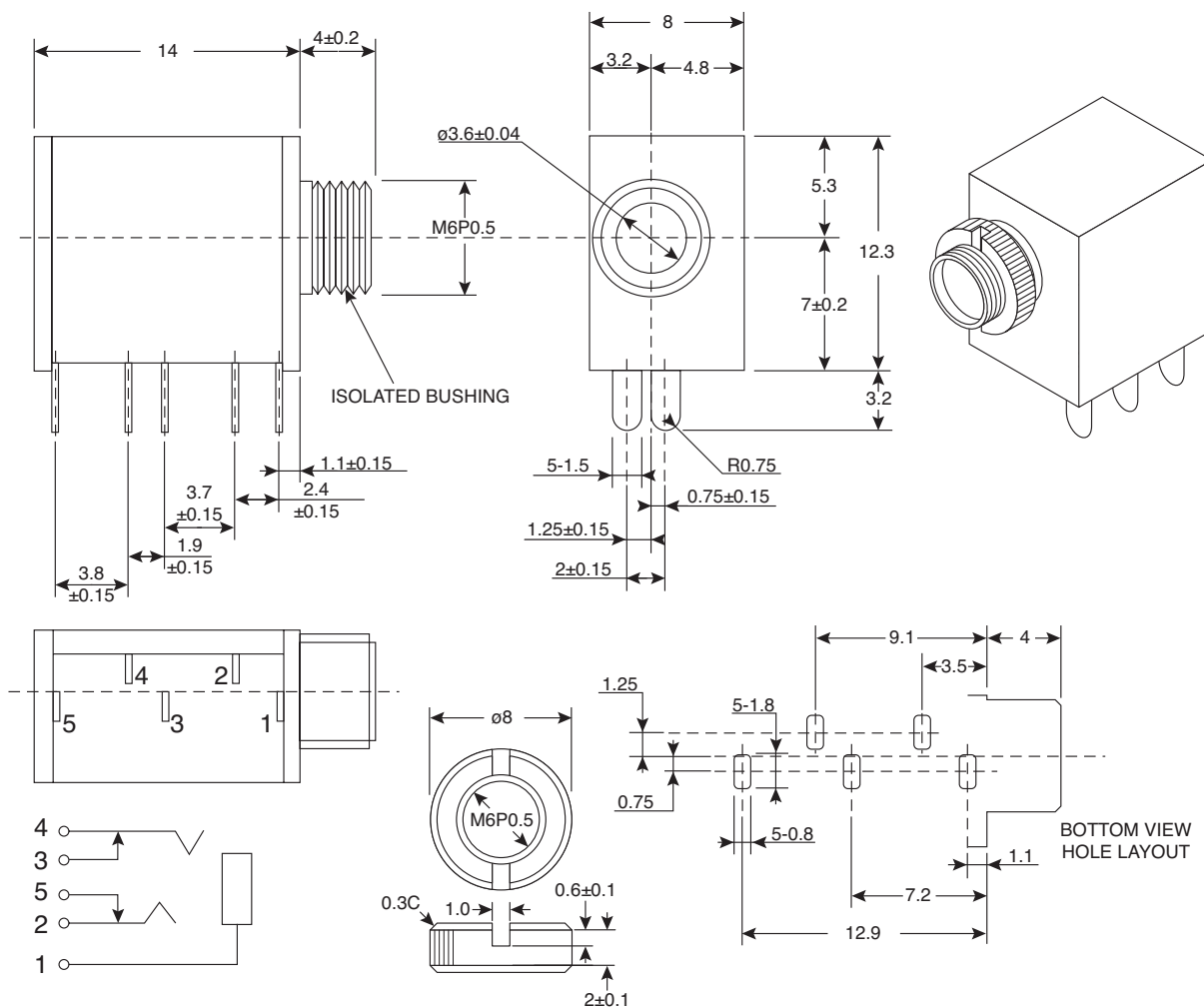
# Phone Jack Stereo 3.5mm

161-354W-SG-EX

KOBICONN

Phone Jack Stereo 3.5mm

161-354W-SG-EX



Dimensions: mm

ELECTRICAL SPECIFICATIONS	
Type:	Stereo Phone
Dielectric Strength:	500VAC for 1 minute
Insulation Resistance:	100M $\Omega$ min @ 500VDC
Contact Resistance:	30m $\Omega$ max.
Insertion / Extraction Force:	5 to 20N / 4 to 20N
Life:	5,000 Cycles min.
Operating Temp:	-20°C ~ +70°C

MATERIAL SPECIFICATIONS				
Part Name	QTY	Material	Plating	Remarks
Body	1	P.B.T. +G15%		Black
Cover	1	P.C.		
Main Terminal A	1	PBR-1/2H 0.3t	Ag	(Tip Contact)
Main Terminal B	1	PBR-1/2H 0.25t	Ag	(Ring Contact)
Fix Terminal A	1	BsR2-H 0.3t	Ag	
Fix Terminal B	1	BsR2-H 0.3t	Ag	
Earth Terminal	1	BsR2-H 0.3t	Ag	(Sleeve Contact)
Spring A	1	SUS-304		Heat Treatment
Spring B	1	SUS-304		Heat Treatment
Metal (Eyelet Type)	1	BsR-1/2H 0.3t	Ni-3	

RoHS Compliant by Exemption

Date Last Revised: 6-29-12

Available from Mouser Electronics  
1-800-346-6873 / www.mouser.com

KC- 301278

Specifications are subject to change without notice. No liability or warranty implied by this information. Environmental compliance based on producer documentation.