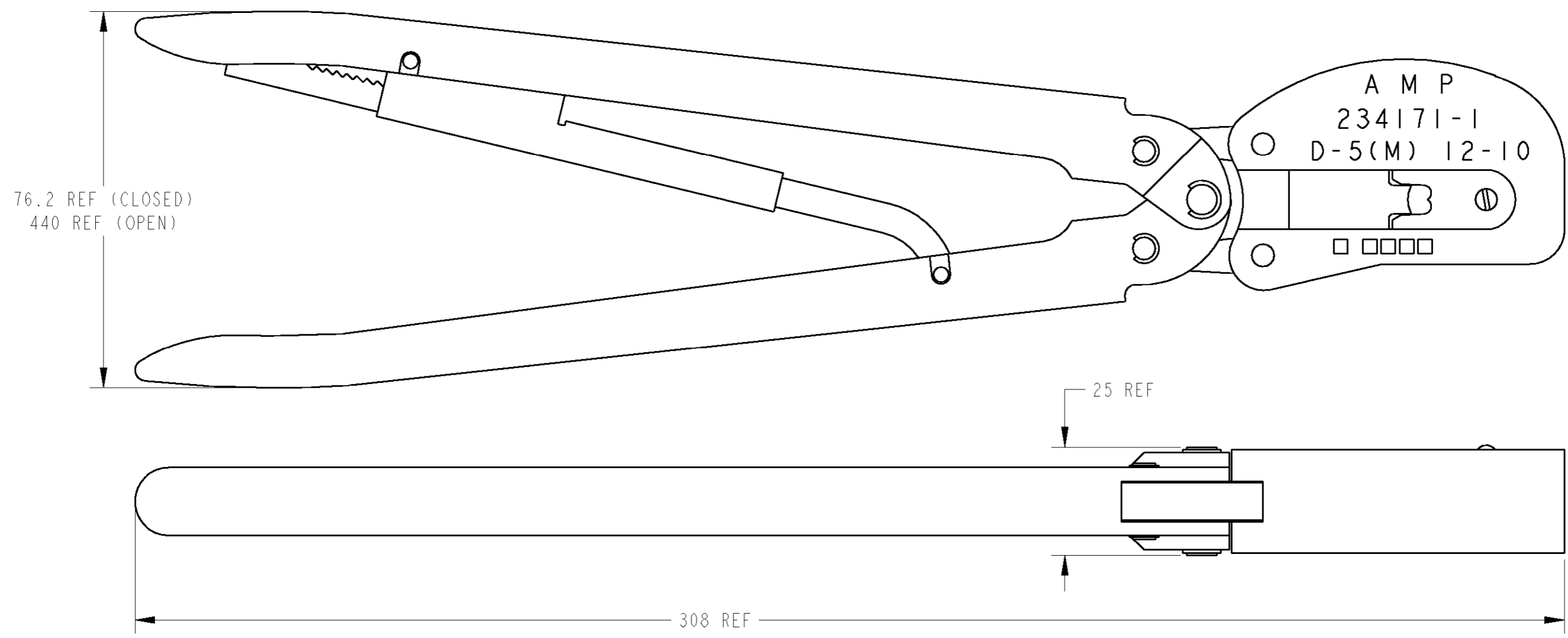


THIS DRAWING IS UNPUBLISHED. RELEASED FOR PUBLICATION 20
 © COPYRIGHT 20 BY TYCO ELECTRONICS CORPORATION. ALL RIGHTS RESERVED.

LOC	DIST	REVISIONS					
		P	LTR	DESCRIPTION	DATE	DWN	APVD
J	-		B	REVISED FJ00-0877-01	07-May-01	J.K	S.Y



CRIMP SYMBOL	TERMINAL NO	WIRE SIZE AWG (mm ²)	INS RANGE (mm)	TERMINAL CH (mm)		IS NO	APPL SPEC	WEIGHT (g)
	L.P.			WIRE	INS			
圧着部記号	適用端子型番	電線サイズ	絶縁被覆径	圧着高さ		取扱説明書番号	取付適用規格	重量
	ハ"ラ状	①		① 芯線部	被覆部			
12-10	316041 (REC) 917805 (TAB)	#12 (3.08-4.60) #10 (4.60-5.50)	4.0-5.2	2.26-2.43 2.26-2.75	5.00 REF	411-5713	114-5206	910

THIS DRAWING IS A CONTROLLED DOCUMENT FOR TYCO ELECTRONICS CORPORATION. IT IS SUBJECT TO CHANGE AND THE CONTROLLING ENGINEERING ORGANIZATION SHOULD BE CONTACTED FOR THE LATEST REVISION.

DIMENSIONS: mm	TOLERANCES UNLESS OTHERWISE SPECIFIED: 0 PLC ± 1 PLC ± 2 PLC ± 3 PLC ± 4 PLC ± ANGLES ±	DWN J. KOGA 07-May-01 CHK J. KOGA 07-May-01 APVD S. YABE 07-May-01 PRODUCT SPEC - APPLICATION SPEC - WEIGHT -	Tyco Electronics AMP K.K. Kawasaki, Japan NAME HEAVY HEAD HAND TOOL (Dynamic D5-M Contact) SIZE A3 CAGE CODE 00779 DRAWING NO C=234171-1 RESTRICTED TO -
MATERIAL	FINISH	CUSTOMER DRAWING	SCALE - SHEET 1 OF 1 REV B