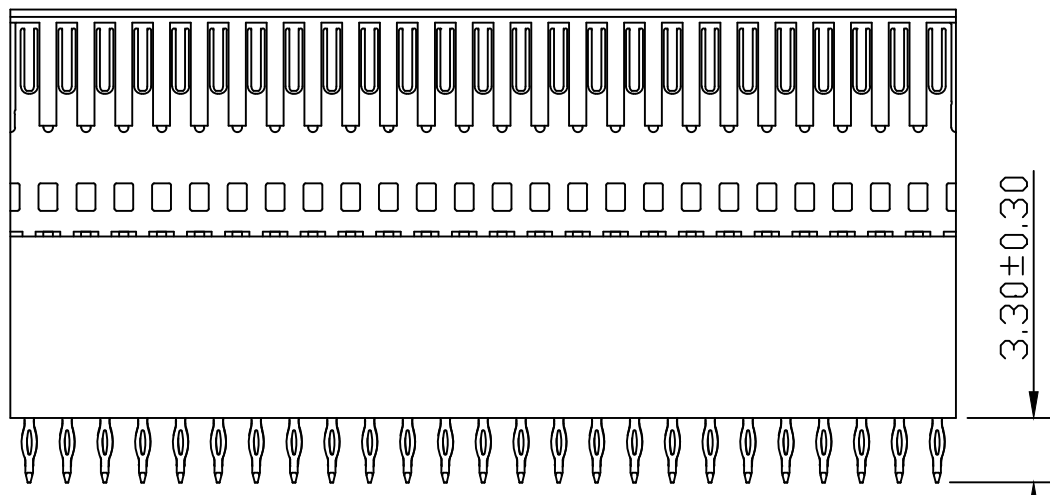
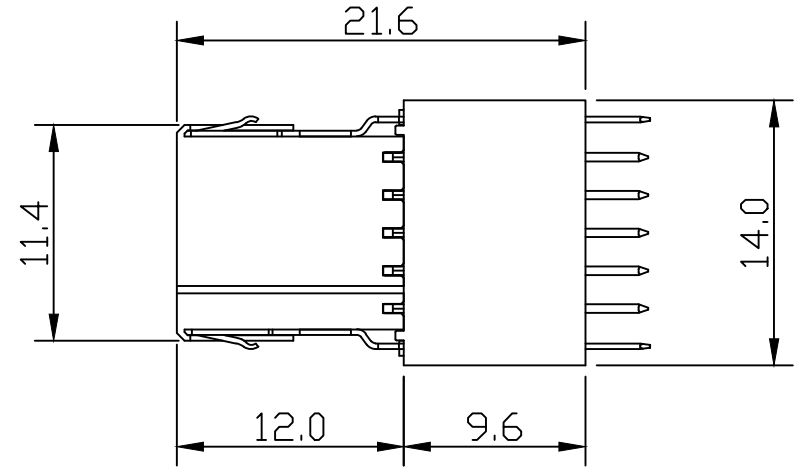
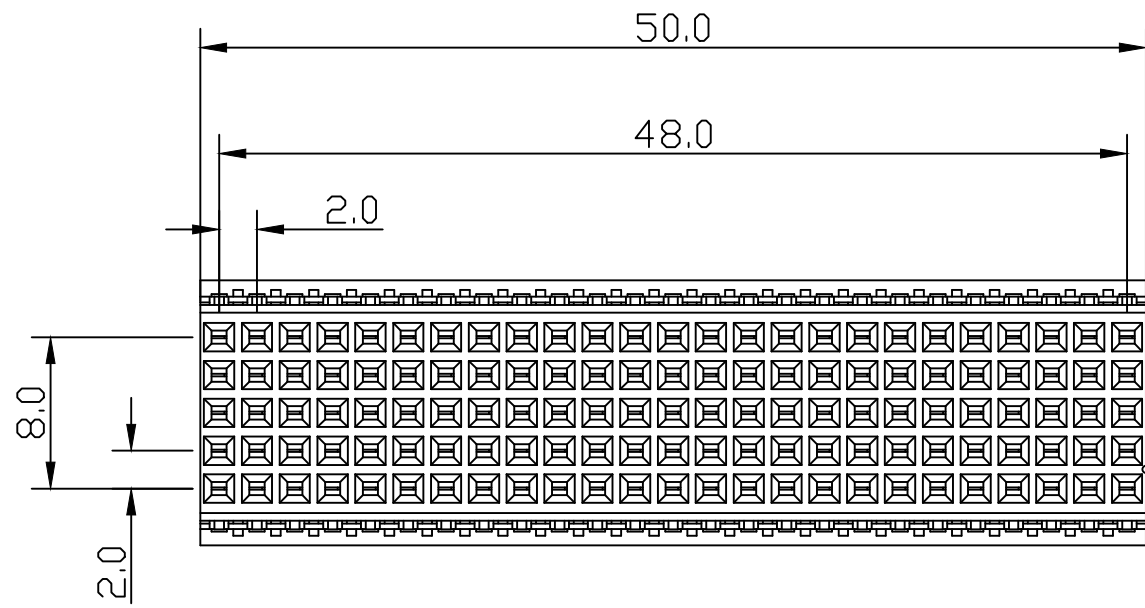


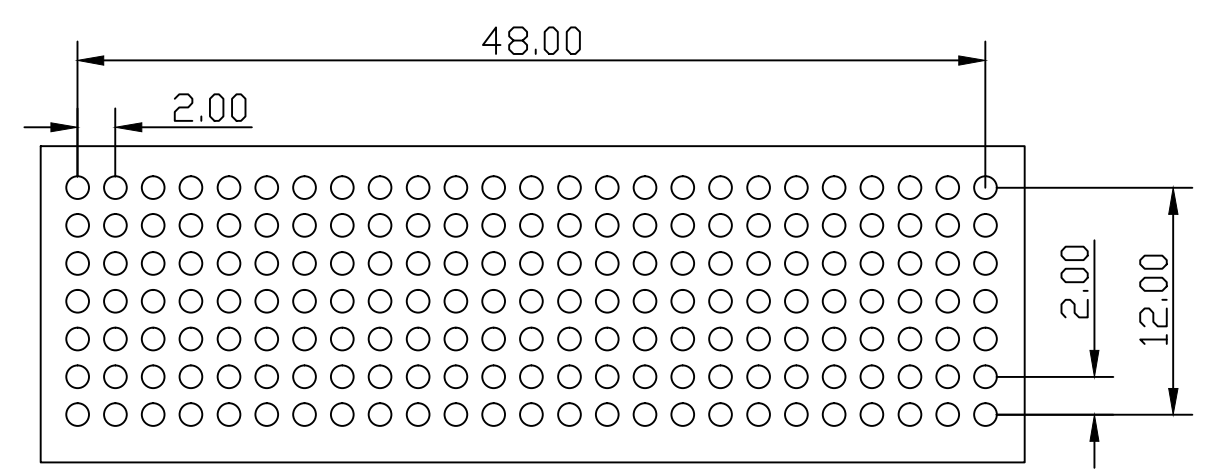
Amphenol FCI  
© 2016 AFCI



HM2S02PE51N1 <sup>LF</sup>  
 LEAD FREE INDICATOR : LF = LEAD FREE (DIGIT 15 & 16)  
 PLATING CODE (DIGIT 13 AND 14) (REF DRW NO. BS,C , 201844 , 003)

- NOTES**
- THIS PRODUCT MEETS EUROPEAN UNION DIRECTIVES AND OTHER COUNTRY REGULATIONS AS DESCRIBED IN GS-47-0004
  - FOR RECOMMENDED PTH DIMENSIONS REFER DRAWING : BS, A , 201572 , 001

LAY-OUT P.C.B.-HOLE



CATALOG NO: HM2S02PE51N1----

mat'l. code				surface	tolerance	projection	product family	
				ISO 1302	ISO 406 ISO 1101		MILLIPACS	
ltr	ecn no	dr	date	tolerances unless otherwise specified		MM	title	
A	I17-0002	AKA	2017-MAY-29	angles	.0±0.2			MPACS 5+2R STR REC PF CONN TYPE B (Vertical Receptacle, 25mm Stack Height)
				linear	.00±0.1			
				0°±1°	-			
				dr	ARJUN	2017-MAY-29	dwg no <b>BS, C , 201907, 037</b> sheet 1 of 1 size A3 type Product Customer Drawing	
				enr	ARJUN	2017-MAY-29		
				chr	ALEX	2017-MAY-29		
				app	BIJU K PAUL	2017-MAY-29		
sheet index	revision sheet	A	1					