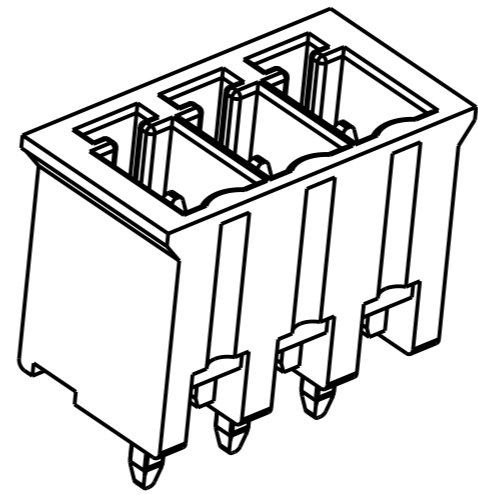
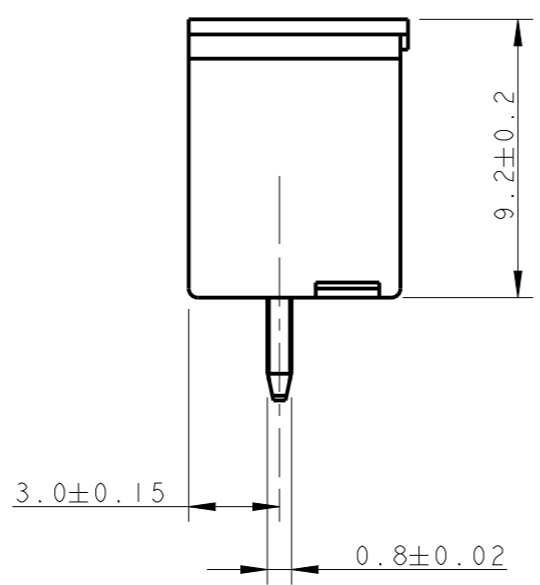
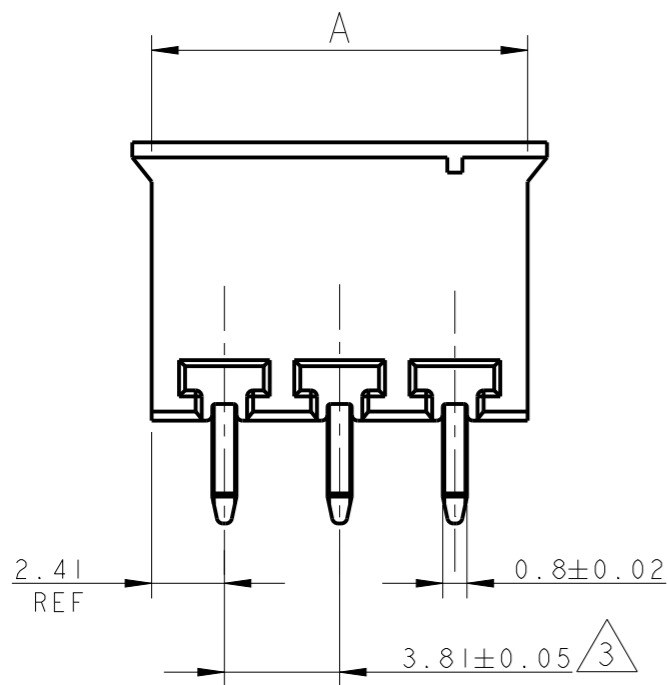


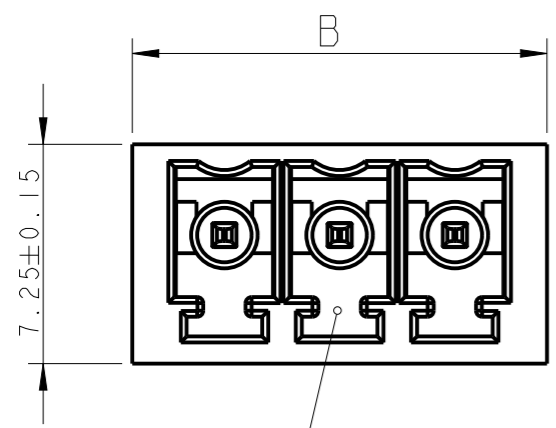
THIS DRAWING IS UNPUBLISHED. RELEASED FOR PUBLICATION 20
 © COPYRIGHT 20 BY - ALL RIGHTS RESERVED.

REVISIONS

| P | LTR | DESCRIPTION | DATE | DWN | APVD |
|---|-----|---------------------------|-----------|-----|------|
| | C2 | REVISED PER ECO-14-015436 | 13OCT2014 | NK | MM |



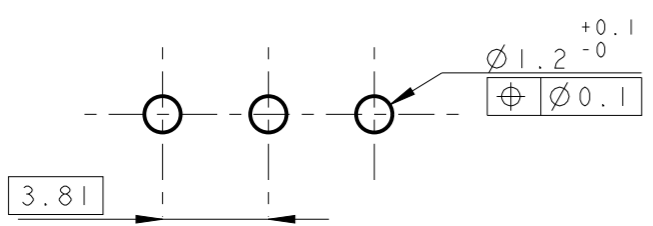
284517-3 AS SHOWN



POLARIZATION KEY SLOT

- 1 MATERIALS AND FINISH
 HOUSING : PA 6.6, UL 94-V0, COLOR GREEN
 TERMINAL : PHOSPHOR BRONZE, TIN PLATED
- 2 SUITABLE FOR 1.6-2.4 mm. PC BOARD THICKNESS
- 3 NOT CUMULATIVE TOLERANCE
- 4 HOUSING: PA 6.6, UL 94-V0, COLOR:RED
- 5 PRELIMINARY - NOT RELEASED FOR PRODUCTION

| 5 | 4 | B | A | NO OF POS | PART NUMBER |
|---|---|-------|-------|-----------|-------------|
| | | 17.53 | 16.25 | 4 | 2-284517-6 |
| | | 97.54 | 96.26 | 25 | 2-284517-5 |
| | | 93.73 | 92.45 | 24 | 2-284517-4 |
| | | 89.92 | 88.64 | 23 | 2-284517-3 |
| | | 86.11 | 84.83 | 22 | 2-284517-2 |
| | | 82.30 | 81.02 | 21 | 2-284517-1 |
| | | 78.49 | 77.21 | 20 | 2-284517-0 |
| | | 74.68 | 73.40 | 19 | 1-284517-9 |
| | | 70.87 | 69.59 | 18 | 1-284517-8 |
| | | 67.06 | 65.78 | 17 | 1-284517-7 |
| | | 63.25 | 61.97 | 16 | 1-284517-6 |
| | | 59.44 | 58.16 | 15 | 1-284517-5 |
| | | 55.63 | 54.35 | 14 | 1-284517-4 |
| | | 51.82 | 50.54 | 13 | 1-284517-3 |
| | | 48.01 | 46.73 | 12 | 1-284517-2 |
| | | 44.20 | 42.92 | 11 | 1-284517-1 |
| | | 40.39 | 39.11 | 10 | 1-284517-0 |
| | | 36.58 | 35.30 | 9 | 284517-9 |
| | | 32.77 | 31.49 | 8 | 284517-8 |
| | | 28.96 | 27.68 | 7 | 284517-7 |
| | | 25.15 | 23.87 | 6 | 284517-6 |
| | | 21.34 | 20.06 | 5 | 284517-5 |
| | | 17.53 | 16.25 | 4 | 284517-4 |
| | | 13.72 | 12.44 | 3 | 284517-3 |
| | | 9.91 | 8.63 | 2 | 284517-2 |



RECOMMENDED PC BOARD LAYOUT

| | | | | |
|--|--|--------------------------------|--|-----------------------|
| THIS DRAWING IS A CONTROLLED DOCUMENT. | | DWN 06FEB2002 E. ZANOLINI | TE Connectivity | |
| DIMENSIONS: mm | | CHK 06FEB2002 E. ZANOLINI | | |
| TOLERANCES UNLESS OTHERWISE SPECIFIED: | | APVD 06FEB2002 D. BIEVENOUR | NAME TERMINAL BLOCK, HEADER ASSEMBLY STRAIGHT, CLOSED ENDS 3.81mm PITCH | |
| 0 PLC ±- 1 PLC ±0.30 2 PLC ±0.25 3 PLC ±- 4 PLC ±- ANGLES ±2° | | PRODUCT SPEC 108-20166 | SIZE A300779 | CAGE CODE C-284517 |
| MATERIAL | | APPLICATION SPEC 114-20079 | DRAWING NO | RESTRICTED TO |
| FINISH | | WEIGHT - | SCALE 4:1 | SHEET 1 OF 1 |
| | | CUSTOMER DRAWING | REV C2 | |