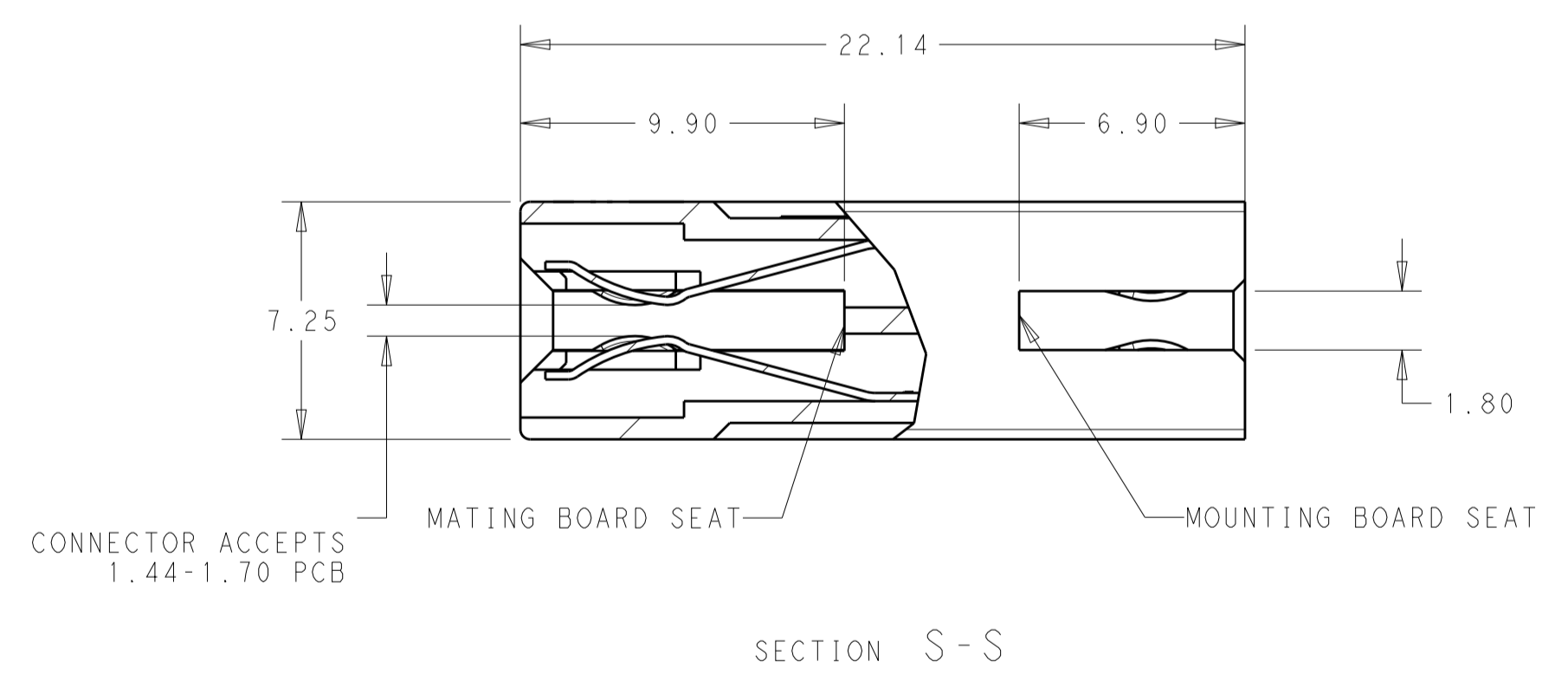
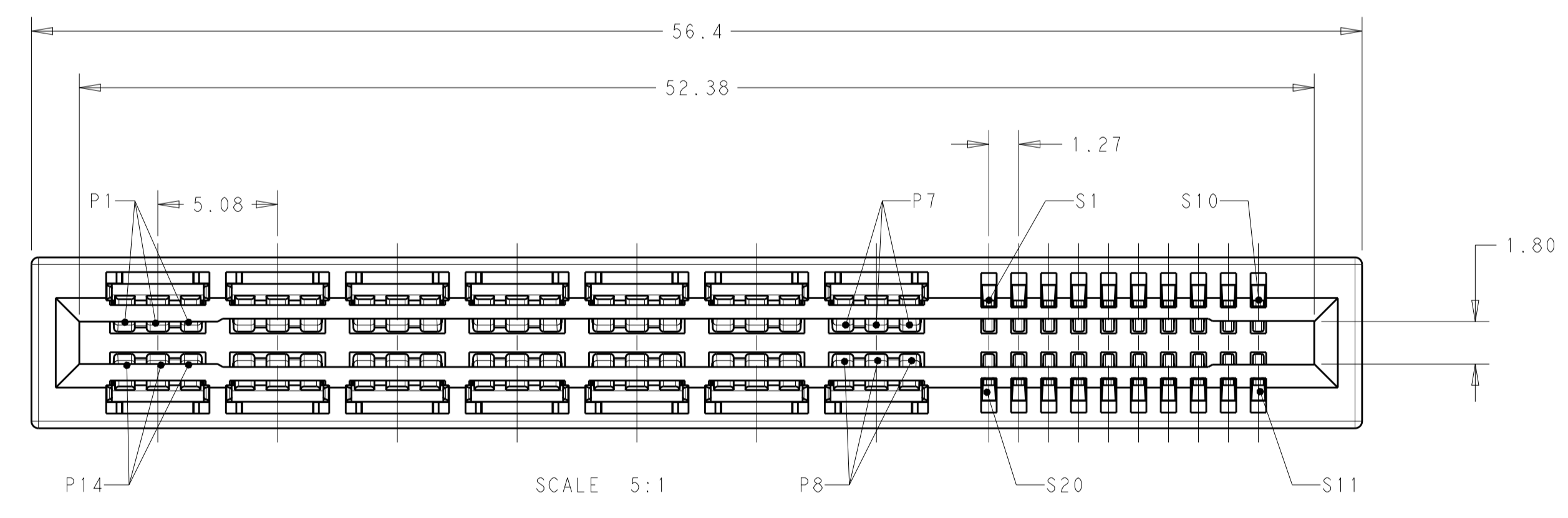
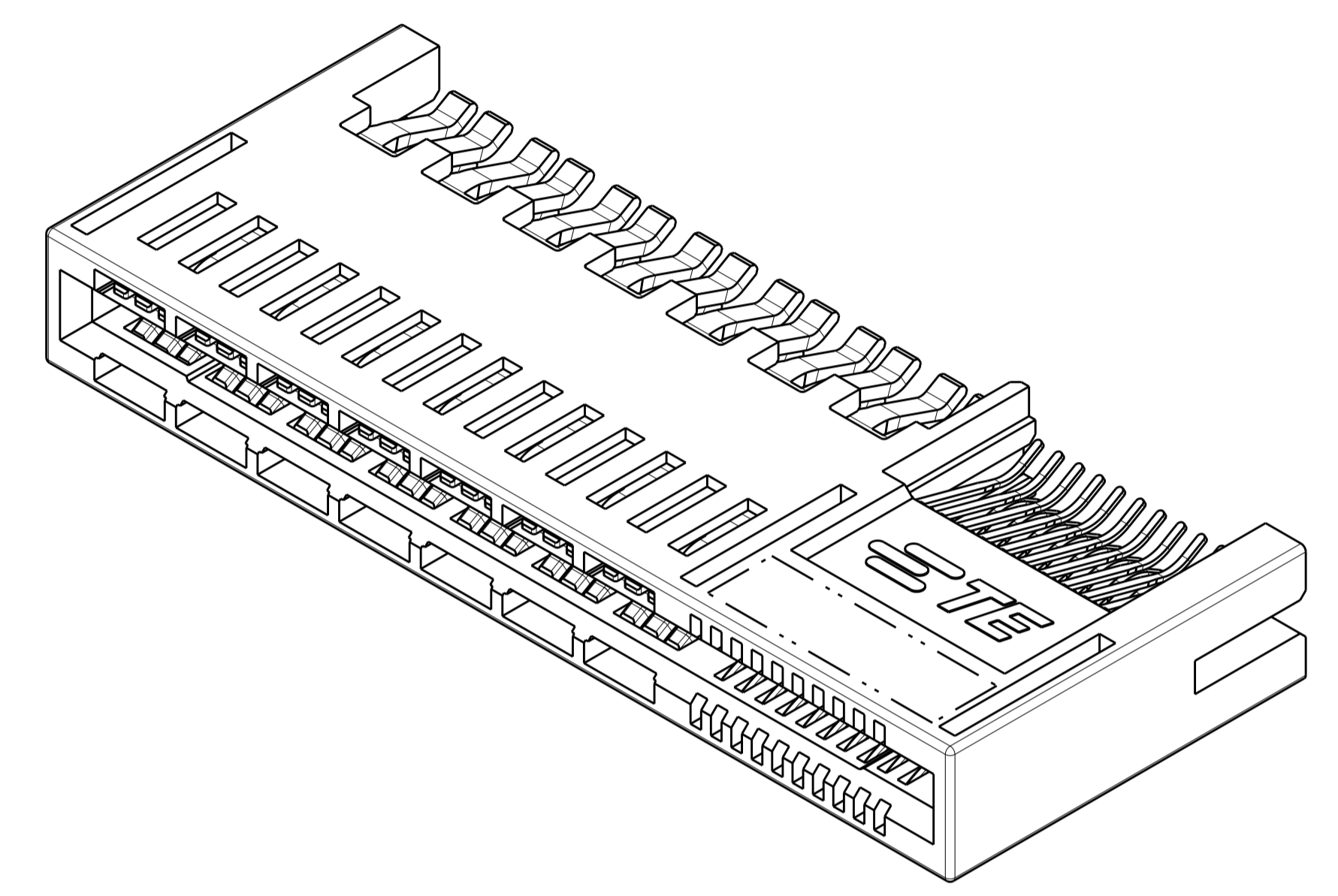
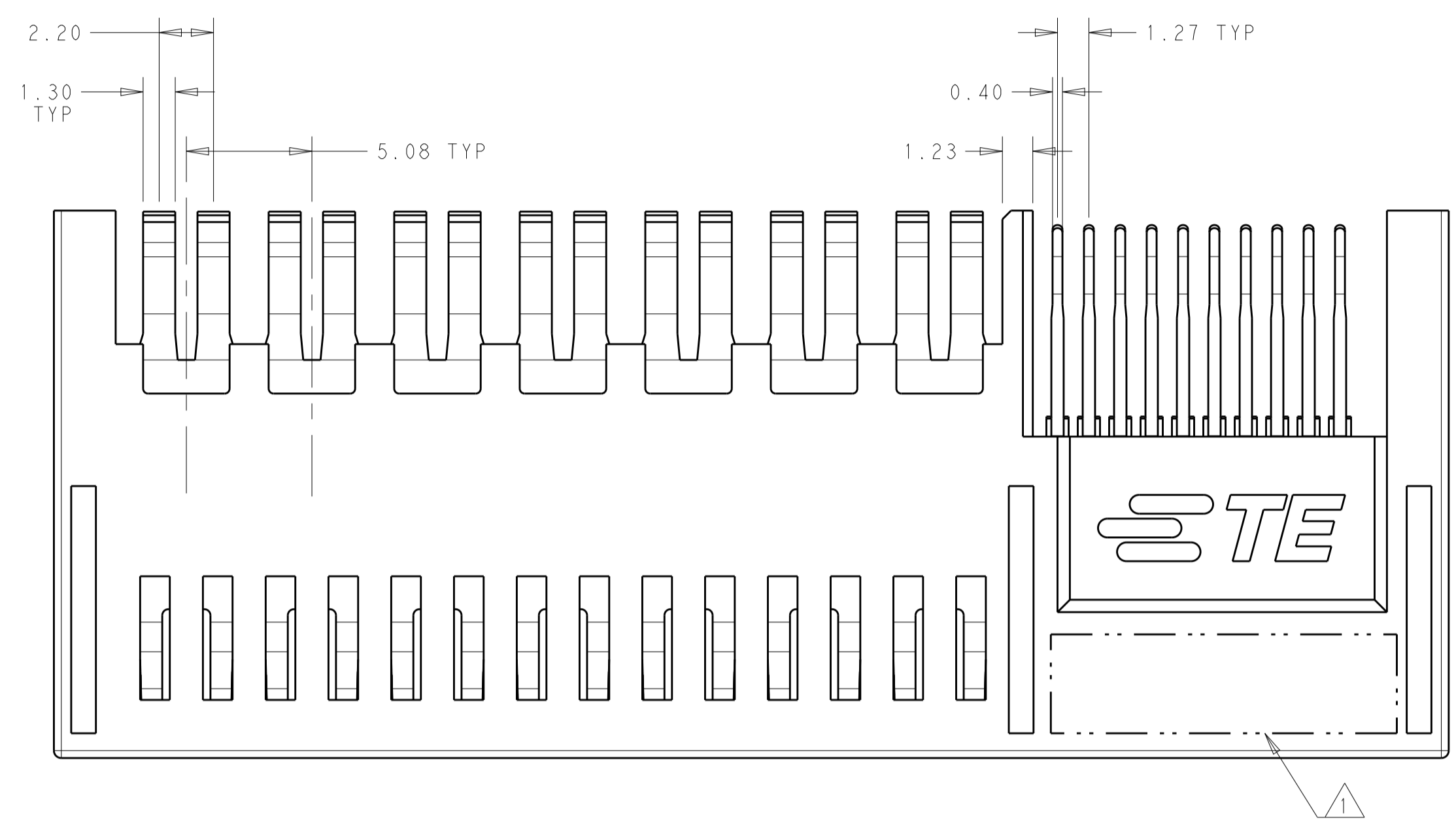


REVISIONS				
P	LTN	DESCRIPTION	DATE	APVD
A		FIRST RELEASE	12NOV2017	SZ SZ

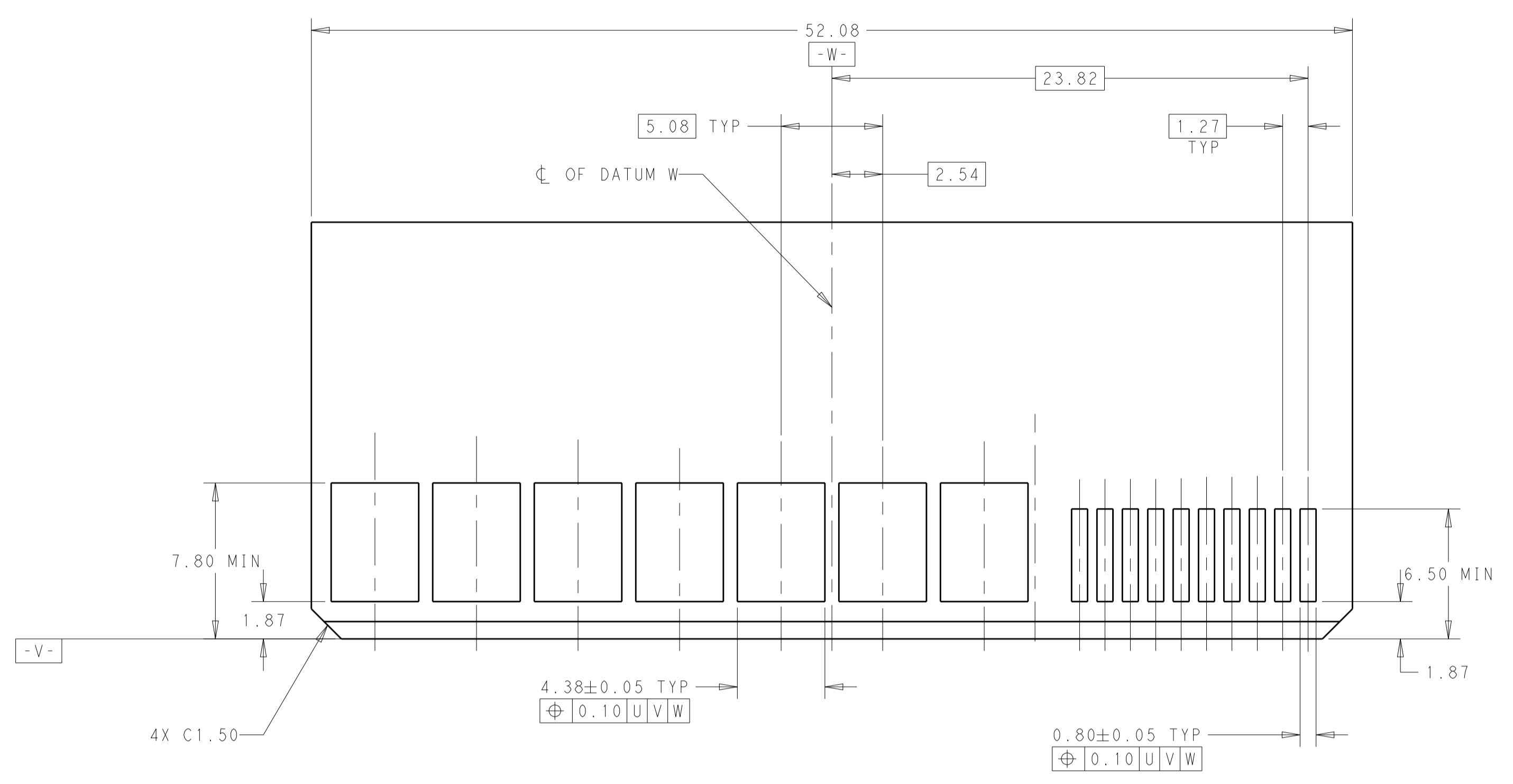
- ① PART NUMBER, AND DATE CODE TO BE MARKED IN AREA SHOWN
- ② MATERIAL: HOUSING - GLASS FILLED HIGH TEMP THERMO PLASTIC
 SIGNAL CONTACT - COPPER ALLOY
 POWER CONTACT - HIGH CONDUCTIVITY COPPER ALLOY
- ③ CONTACT PLATING: NOBLE METAL PLATING ON CONTACT FUNCTIONAL AREA OF POWER AND SIGNAL CONTACTS
- ④ DATUM AND BASIC DIMENSIONS ESTABLISHED BY CUSTOMER



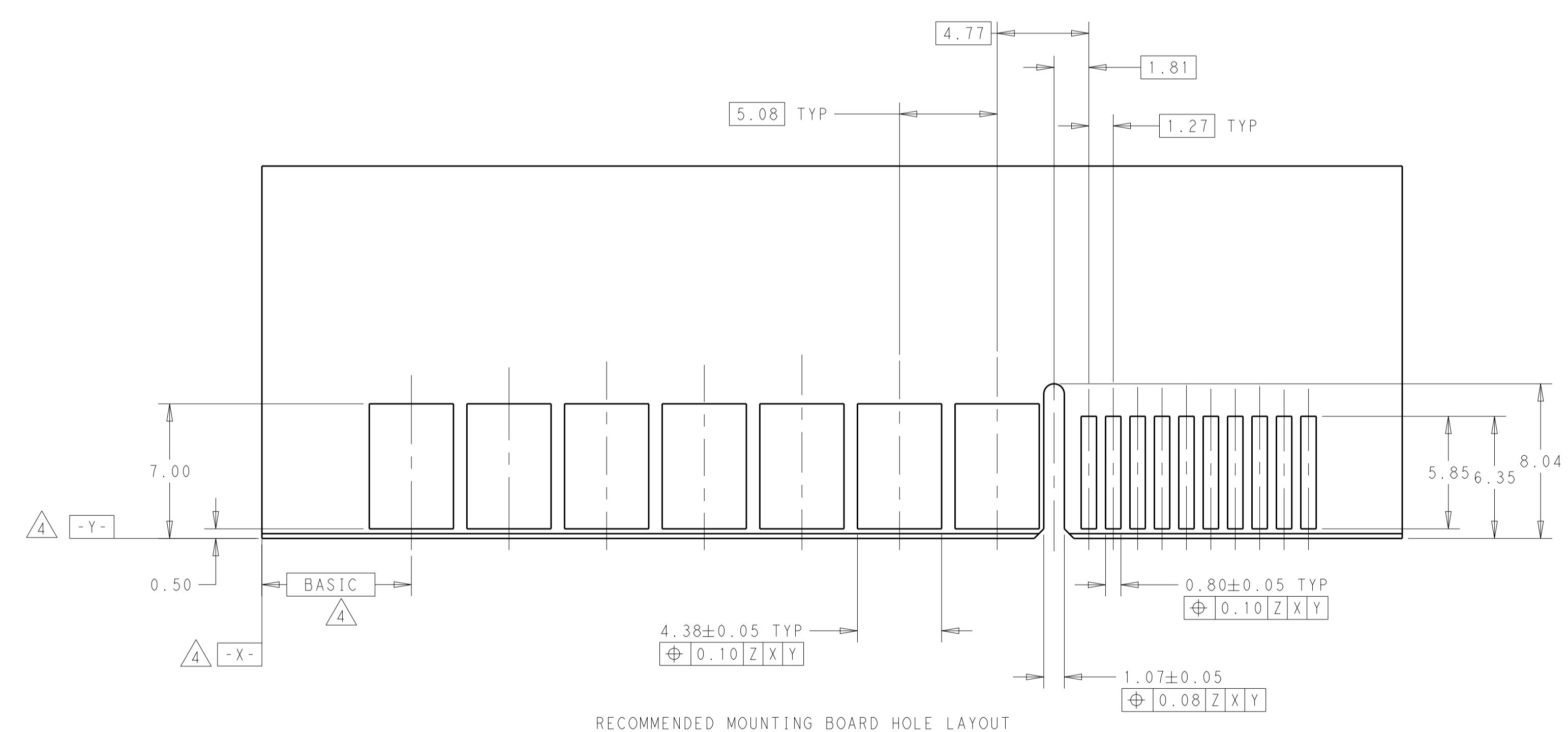
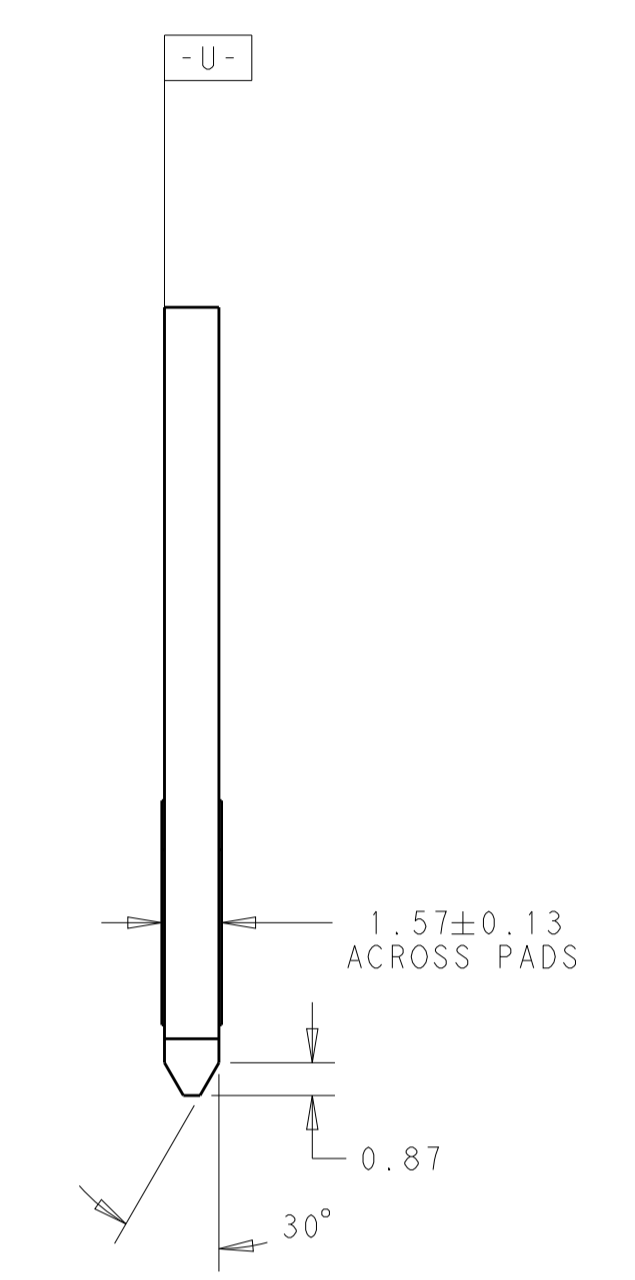
PART NUMBER 2204798-1

THIS DRAWING IS A CONTROLLED DOCUMENT.		DWN: SEAN_ZHANG 30OCT2016	TE Connectivity	
DIMENSIONS: mm		CHK: SUNY_ZHAO 24JAN2017	NAME: HIGH CURRENT SUPER CARD EDGE	
TOLERANCES UNLESS OTHERWISE SPECIFIED:		APVD: SUNY_ZHAO 24JAN2017	PRODUCT SPEC: 108-128053	
0 PLC ±		APPLICATION SPEC: 114-128056	SIZE: A1	
1 PLC ±0.5		WEIGHT: -	CAGE CODE: -	
2 PLC ±0.25		CUSTOMER DRAWING	SCALE: 2:1	
3 PLC ±			SHEET 1 OF 2	
4 PLC ±			REV A	
ANGLES ±				
FINISH: -				

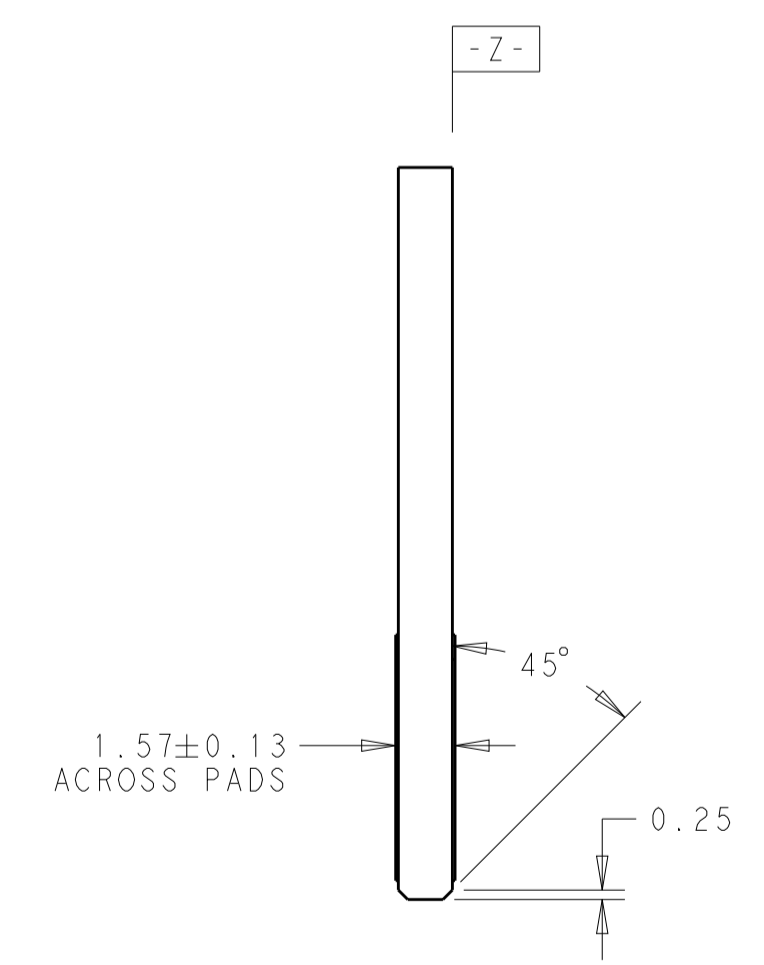
REVISIONS				
P.	LTN.	DESCRIPTION	DATE	APPD.
-	-	SEE SHEET 1	-	-



RECOMMENDED MATING BOARD EDGE CONFIGURATION



RECOMMENDED MOUNTING BOARD HOLE LAYOUT



THIS DRAWING IS A CONTROLLED DOCUMENT.		DWN: SEAN ZHANG 30OCT2016		CHK: -		APVD: SUNY ZHAO 24JAN2017		NAME: HIGH CURRENT SUPER CARD EDGE	
DIMENSIONS: mm		TOLERANCES UNLESS OTHERWISE SPECIFIED:		PRODUCT SPEC: 108-128053		APPLICATION SPEC: 114-128056		RESTRICTED TO: -	
0 PLC ±0.5		1 PLC ±0.5		2 PLC ±0.25		3 PLC ±0.25		4 PLC ±0.25	
MATERIAL: -		FINISH: -		WEIGHT: -		SCALE: 5:1		SHEET 2 OF 2	
CUSTOMER DRAWING		CAGE CODE: -		DRAWING NO: C=2204798		REV: A		REV: A	