

PCM-3531 PCI Graphic card PC/104-plus Module Startup Manual



Packing List

Before you begin installing your card, please make sure that the following materials have been shipped:

- 1 PCM-3531
- 1 Start-up manual
- 1 Utility CD
- Optional Accessory
 - DVI Cable p/n 1700000243

If any of these items are missing or damaged, contact your distributor or sales representative immediately.

Note 1: For detailed contents of the PCM-3531, please refer to the enclosed CD Disc or disk (in PDF format).

Note 2: Acrobat Reader is required to view any PDF file. Acrobat Reader can be downloaded at: www.adobe.com/products/acrobat/readstep2.html (Acrobat is a trademark of Adobe.)

Mechanical and Environmental

- **Dimensions (L x W):** 96 x 90 mm (3.8" x 3.5")
- **Weight:** 0.08kg
- **Operating Temperature:** 0 ~ 60°C (32~140°F)
- **Storage temperature:** -40 ~ 85°C (-40~185°F)
- **Operating Humidity:** 0%~90% relative humidity, non-condensing
- **Power Supply Voltage:** 5V and 12V

Specifications

- **Chipset:** ATI RAGE Mobility M6 chipset
- **Video Memory:** 8MB on chip
- **VGA/LCD Function:** Support CRT display, 2 Channels 18/24-bit LVDS, TV-out, DVI interface
- **Dual display combination:** LVDS+CRT, LVDS+TV-out, LVDS+DVI, LVDS+CRT+TV, LVDS+CRT+DVI
- **External Power:** +12V for LCD inverter

Features

Supports 18/24/36/48 bit LVDS Panel up to 2048x1536 resolution

Support TV-Output (up to 1024x768)

Support 2 Channels 18/24-bit LVDS

Support Hardware MPEG-2 Decoder

Support Dual display function

Compatible with PC/104-plus and standard PCI card PCI2.1

For more information on this and other Advantech products, please visit our website at:

<http://www.advantech.com>

<http://www.advantech.com/eplatform>

For technical support and service, please visit our support website at:

<http://www.advantech.com/support>

This manual is for the PCM-3531 series Rev. A2.

Part No. 2006353101

2nd Edition
Aug. 2006

Jumpers & Connectors

Connectors on the board link it to external devices, such as hard disk drives, a keyboard or expansion bus connectors. In addition, the board has a number of jumpers that allow you to configure your system to suit your application.

The table below lists the function of each of the jumpers and connectors.

Connectors

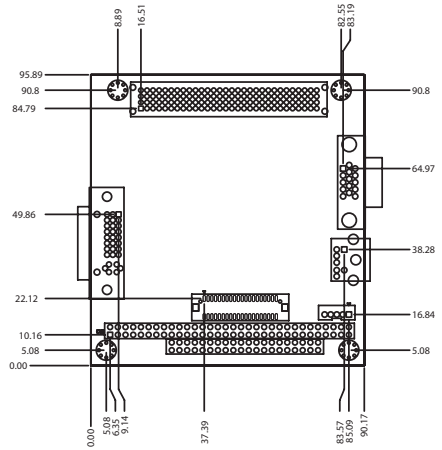
Label	Function
CN1	CRT Connector
CN2	PC/104+ Connector
CN3	DVI Connector
CN4	TV-out
CN5	LVDS Connector
CN6	Backlight Connector
SW1	PCI ID selection
SW2	LVDS panel pixel selection

SW1 PCI ID selection

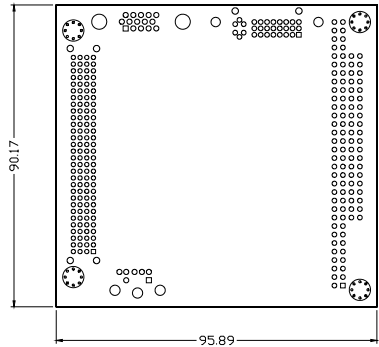
1/2	IDSEL CLK	#REQ	#GNT	#INT
ON/ON	AD20 CLK0	#REQ0	#GNT0	#PINTA
ON/OFF	AD21 CLK1	#REQ1	#GNT1	#PINTB
OFF/ON	AD22 CLK2	#REQ2	#GNT2	#PINTC
OFF/OFF	AD23 CLK3	#REQ2	#GNT2	#PINTD

SW2 LVDS panel pixel selection

SW2[3:1](LTGIO[2 : 0])	Resolution	
0 0 0		Disable LVDS
0 0 1	800 * 600	1ch 18bit
0 1 0	1024 * 768	1ch 18bit
0 1 1	800 * 600	1ch 24bit
1 0 0	1024 * 768	1ch 24bit
1 0 1	1280 * 1024	1ch 24bit
1 1 0	1280 * 1024	2ch 24bit



Mechanical Drawing (component side)



Mechanical Drawing (solder side)

Board Layout

Locating connectors

