

PART NAME: KNOB SCALE: 1:1 DATE: 10/27/95 DR. BY HD

DAVIES MOLDING COMPANY
CAROL STREAM, ILLINOIS 60188

P/N 1900-Y

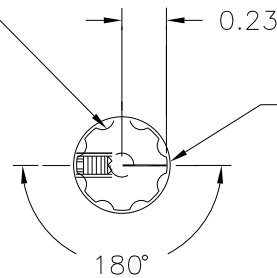
THIS DRAWING IS THE PROPERTY OF DAVIES MOLDING COMPANY, IS SUBMITTED SOLELY AS A DESIGN OR ENGINEERING PROJECT. WE ACCEPT NO RESPONSIBILITY WHATSOEVER FOR THE PRACTICAL APPLICATION OF THE PIECES MADE TO THIS DESIGN.

BASE PART 1900-01

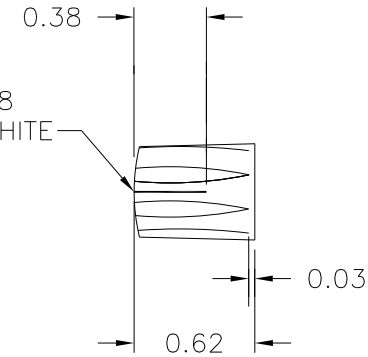
SET SCREW 10252

PAD PRINT TF-1668

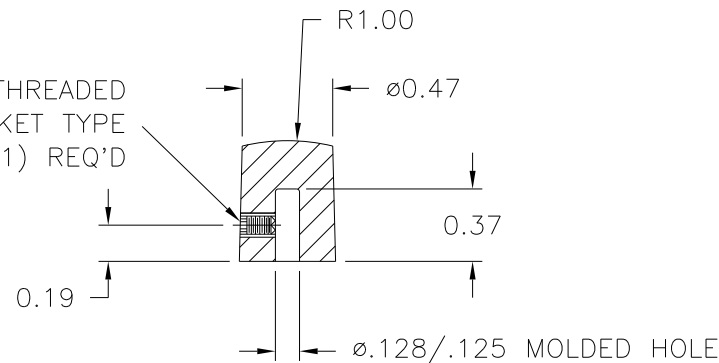
(8) R0.06 SERRATIONS,
EQUALLY SPACED, 0.03 DEEP



Ⓐ
PAD PRINTED DIE TF-1668
LOCATED AS SHOWN IN WHITE
LINE THICKNESS 0.03



6-32 DRILL AND TAP, 6-32 THREADED
X 3/16 LG. CUP POINTED, SOCKET TYPE
SET SCREW, 10252A, (1) REQ'D



MATERIAL: G.P. PHENOLIC (B11)
COLOR: BLACK

| | | | | | |
|---|----------------------------------|---|---------------------|-----|----------|
| TOLERANCES: UNLESS OTHERWISE SPECIFIED | DO NOT SCALE DRAWING | | | | |
| DECIMALS: X.XXX ± .005 X.XX ± .015 | MM: X.XX ± 0.15MM X.X ± 0.4MM | - | UPDATED/HAD TOOLBOX | EV. | 8/12/02 |
| FRACTIONS ± 1/64 | ANG. ± 1° | A | WAS HOT STAMP | HD | 12/20/95 |
| CHANGES | | | | | |