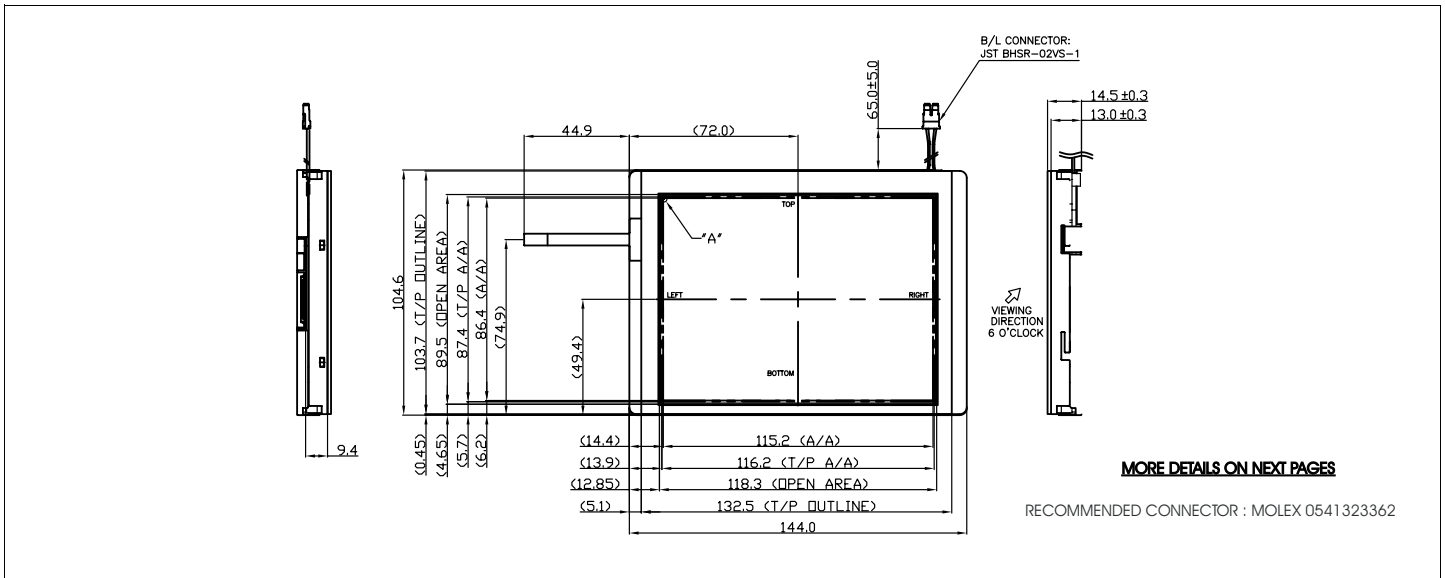


# HDA570V-V

## Dimensional Drawing

5.7", VGA, TFT, Transmissive Color, White LED Backlight



### Features

- Viewing Angle(H/V).....120/105 degrees
- High Contrast.....400:1
- Fast Response Time.....45 msec
- Built-in DC-DC Converter
- Built-in Controller.....none
- Touch Screen .....optional

### Electrical Characteristics (VCC=3.3±0.125V 25°C)

PARAMETER	SYM	CONDITION	MIN	TYP	MAX	UNIT
OPERATING VOLTAGE	V <sub>CC</sub>	-	3.0	3.3	3.6	V
INPUT HIGH VOLTAGE	V <sub>IH</sub>	-	0.7V <sub>DD</sub>	-	V <sub>DD</sub>	V
INPUT LOW VOLTAGE	V <sub>IL</sub>	-	0	-	0.3V <sub>DD</sub>	V
OPERATING CURRENT	I <sub>CC</sub>	-	-	TBA	-	mA
LED OPERATING VOLTAGE	V <sub>LED</sub>	I <sub>F</sub> = 140 mA	-	9.9	-	V
OPERATING CURRENT	I <sub>FLED</sub>	-	-	140	-	mA
POWER CONSUMPTION	P <sub>D</sub>	-	-	TBA	-	W
BRIGHTNESS	L	Average	280	340	-	cd/m <sup>2</sup>

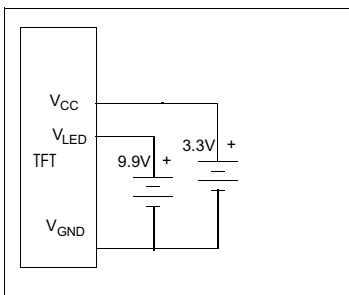
### Physical Data

- Module Size.....144.0W x 104.6H x 13.0T mm
- Viewing Area Size.....115.2W x 86.4H mm
- Dot Pitch.....0.060W x 0.180H mm
- Weight.....216g

### Pin Connections

PIN NO	SYMBOL		FUNCTION
1	VSS	-	Ground Pin
2	CLK	H/L	Data Sampling Clock
3	Hsync	L	Horizontal Sync
4	Vsync	L	Vertical Sync
5	VSS	-	Ground Pin
6	R0	H/L	Red Data Signal (LSB)
7	R1	H/L	Red Data Signal
8	R2	H/L	Red Data Signal
9	R3	H/L	Red Data Signal
10	R4	H/L	Red Data Signal
11	R5	H/L	Red Data Signal (MSB)
12	VSS	-	Ground Pin
13	G0	H/L	Green Data Signal (LSB)
14	G1	H/L	Green Data Signal
15	G2	H/L	Green Data Signal
16	G3	H/L	Green Data Signal
17	G4	H/L	Green Data Signal
18	G5	H/L	Green Data Signal (MSB)
19	VSS	-	Ground Pin
20	B0	H/L	Blue Data Signal (LSB)
21	B1	H/L	Blue Data Signal
22	B2	H/L	Blue Data Signal
23	B3	H/L	Blue Data Signal
24	B4	H/L	Blue Data Signal
25	B5	H/L	Blue Data Signal
26	VSS	-	Ground Pin
27	DEN	-	Data Enable Input
28	VCC	-	3.3V Power Supply
29	VCC	-	3.3V Power Supply
30	REV	H/L	Horizontal Display Mode
31	VSS	-	Ground Pin
32	DISP	H/L	ON/OFF Control Input
33	VSS	-	Ground Pin

### Power Supply



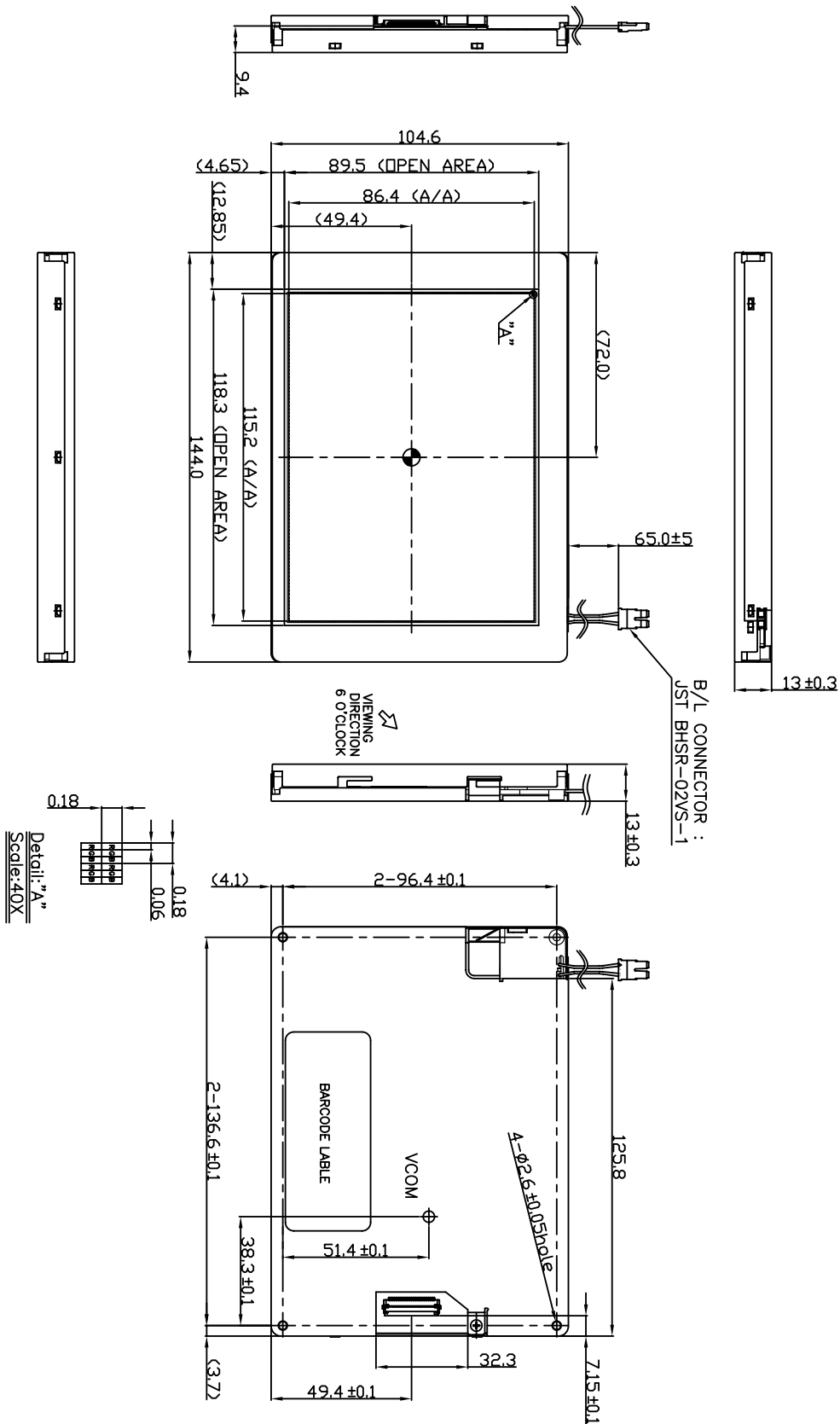
### Absolute Maximum Ratings

PARAMETER	SYMBOL	MIN	MAX	UNIT
SUPPLY VOLTAGE	V <sub>CC</sub>	-0.3	4.3	V
BACKLIGHT CURRENT (LED )	I <sub>LED</sub>	-	175	mA
BACKLIGHT VOLTAGE (LED )	V <sub>LED</sub>	-	15	V
INPUT VOLTAGE	V <sub>IN</sub>	-0.3	V <sub>DD</sub> + 0.3	V
OPERATING TEMPERATURE	T <sub>OP</sub>	-20	70	°C
STORAGE TEMPERATURE	T <sub>STG</sub>	-30	80	°C

# HDA570W

Dimensional Drawing

5.7", VGA, TFT, Color Graphics, White LED Backlight



# HDA570VT - V

Dimensional Drawing

5.7" , VGA, TFT, with Touch Screen, White LED Backlight

With TOUCH SCREEN

Touch screen CONNECTOR : KYOCERA-ELCO 046227004100829+

