

AMS-7 SERIES MINI SURFACE/PRESS FIT MAGNETIC CONTACT

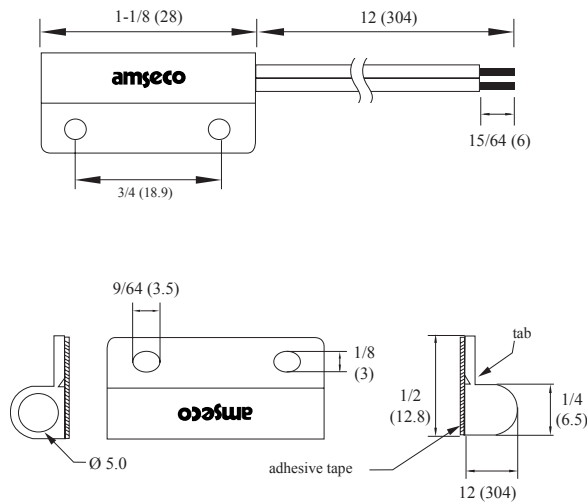


- UL Listed
- 3/4" operating gap
- Surface mount or press fit
- Alnico 5 magnet
- AMS-7 available in white or brown,
AMS-7D available in white or black

Application

The AMS-7 Series Mini Surface/Press Fit Magnetic Contact is designed for installations where space is severely limited. The unique break-off tabs allows for field selection of surface mount or press-fit, recessed mount installations. The size and flexibility of the AMS-7 make it a must have on every technicians vehicle.

Dimensions



Specifications

Model	Color	Stock Number	Contact	Contact Rating	Contact Type	Max. Carry Current	Max. Switching Current	Breakdown Voltage	Operating Gap	Mounting Method	Operating Temperature Range
AMS-7	White	4350220	22AWG 12" Lead	10VA	Form A N.O	1.0 Amp	.5 Amp	200VDC	3/4"	Surface mount or Press fit	32°F to 120°F (0°C to 49°C)
	Brown	4350219			Form B N.C.						
AMS-7D	White	4350231									
	Black	4350221									