

# Spezifikation für Freigabe / specification for release

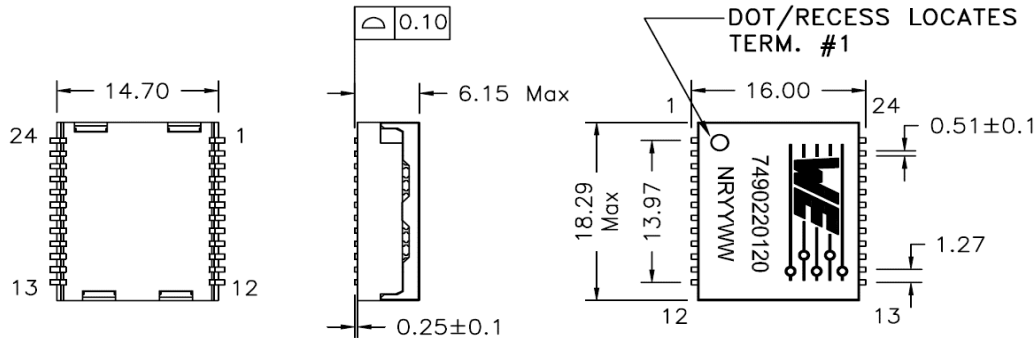
Kunde / customer :  
 Artikelnummer / part number : **7490220120**  
 Bezeichnung : **LAN-Übertrager WE-LAN**  
 description : **LAN-Transformer WE-LAN**



DATUM / DATE : 2018-09-10

## A Mechanische Abmessungen / dimensions :

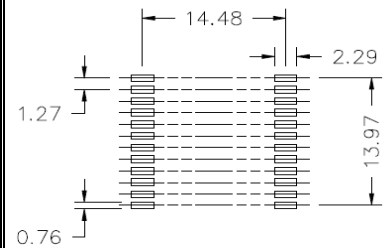
1000 BaseT 4PPoE



## B Elektrische Eigenschaften / electrical properties :

| Eigenschaften / properties           | Testbedingungen / test conditions |         | Wert / value | Einheit / unit | tol.        |
|--------------------------------------|-----------------------------------|---------|--------------|----------------|-------------|
| Induktivität / Inductance            | 100kHz / 100mV @ 8mA DC-Bias      | OCL     | <b>350</b>   | µH             | <b>min.</b> |
| Übersetzungsverhältnis / Turns ratio | 100kHz / 100mV                    | 1CT:1CT | <b>1 : 1</b> | Tx             | ±2%         |
|                                      |                                   |         | <b>1 : 1</b> | Rx             |             |
| Insertion Loss                       | 1MHz - 100 MHz                    | IL      | <b>-1,0</b>  | dB             | <b>max.</b> |
| Return Loss                          | 1MHz - 30 MHz                     | RL      | <b>-18</b>   | dB             | <b>min.</b> |
|                                      | 30MHz - 60 MHz                    |         | <b>-14</b>   |                |             |
|                                      | 60MHz - 80 MHz                    |         | <b>-12</b>   |                |             |
|                                      | 80MHz - 100 MHz                   |         | <b>-10</b>   |                |             |
| Common to Common Mode Rejection      | 1MHz - 30MHz                      | CMRR    | <b>-40</b>   | dB             | <b>min.</b> |
|                                      | 30MHz - 60 MHz                    |         | <b>-35</b>   |                |             |
|                                      | 60MHz - 100MHz                    |         | <b>-30</b>   |                |             |
| Crosstalk                            | 1MHz - 60 MHz                     | CT      | <b>-35</b>   | dB             | <b>min.</b> |
|                                      | 60MHz - 100 MHz                   |         | <b>-30</b>   |                |             |

## C Lötpad / soldering spec. :



## D Prüfgeräte / test equipment :

Agilent E5071C

## E Testbedingungen / test conditions :

Lufffeuchtigkeit / Humidity: 33%  
 Umgebungstemperatur / Temperature: +25°C

## F Werkstoffe & Zulassungen / material & approvals :

Basismaterial / Base material: Ferrit / Ferrite  
 Draht / Wire: 0UEW/Y 180  
 Kontaktmaterial / Contact plating: Cu-Ni-Sn  
 Gehäuse / Case: DAP Black per UL 94V-0

## G Eigenschaften / general specifications :

Betriebstemp. / Operating temperature: -40°C - +105°C  
 Hochspannungsprüfung / Hipot test: 1500Vrms 1min.  
 Geeignet für 1000BaseT gemäß kommendem IEEE 802.3bt /  
 Compliant with upcoming IEEE 802.3bt for 4PPoE

Freigabe erteilt / general release:

| Kunde / customer  |                          |      |                         |
|-------------------|--------------------------|------|-------------------------|
| .....             | .....                    | JaB  | Version 04              |
| Datum / date      | Unterschrift / signature | JaB  | Version 03              |
|                   | <b>Würth Elektronik</b>  | JaB  | Version 02              |
|                   | .....                    | JaB  | Version 01              |
| Geprüft / checked | Kontrolliert / approved  | JLiu | Preliminary             |
|                   |                          | Name | Änderung / modification |
|                   |                          |      | Datum / date            |

### Würth Elektronik eiSos GmbH & Co.KG

D-74638 Waldenburg · Max-Eyth-Straße 1 - 3 · Germany · Telefon (+49) (0) 7942 - 945 - 0 · Telefax (+49) (0) 7942 - 945 - 400  
<http://www.we-online.com>

# Spezifikation für Freigabe / specification for release

Kunde / customer :

Artikelnummer / part number :

**7490220120**



Bezeichnung :

**LAN-Übertrager WE-LAN**

description :

**LAN-Transformer WE-LAN**

DATUM / DATE : 2018-09-10

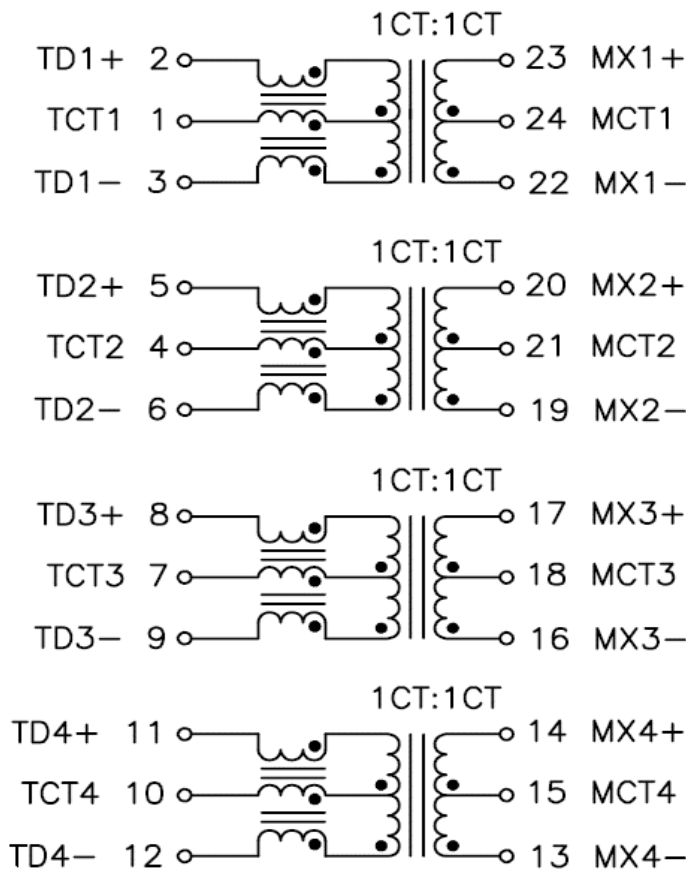
## H PoE Eigenschaften :

Designed für Anwendungen bis 350mA  
 pro Mittelanzapfung  
 Designed für 15W Anwendungen wenn zwei Kanäle bestromt  
 Designed für 30W Anwendungen wenn vier Kanäle bestromt

## H PoE Specifications :

Designed to support applications up to 350mA  
 per centre tap  
 Designed for 15W applications when using two channels  
 Designed for 30W applications when using four channels

## I Schaltbild / Schematics :



|                   |                          |      |                         |
|-------------------|--------------------------|------|-------------------------|
| .....             | .....                    |      |                         |
| Datum / date      | Unterschrift / signature | JaB  | Version 04              |
|                   | <b>Würth Elektronik</b>  | JaB  | Version 03              |
|                   |                          | JaB  | Version 02              |
|                   |                          | JaB  | Version 01              |
| .....             | .....                    | JLiu | Preliminary             |
| Geprüft / checked | Kontrolliert / approved  | Name | Änderung / modification |
|                   |                          |      | Datum / date            |

### Würth Elektronik eiSos GmbH & Co.KG

D-74638 Waldenburg · Max-Eyth-Straße 1 - 3 · Germany · Telefon (+49) (0) 7942 - 945 - 0 · Telefax (+49) (0) 7942 - 945 - 400  
<http://www.we-online.com>

# Spezifikation für Freigabe / specification for release

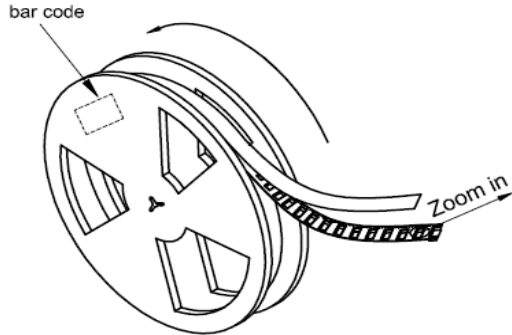
Kunde / customer :  
 Artikelnummer / part number : **7490220120**  
 Bezeichnung : **LAN-Übertrager WE-LAN**  
 description : **LAN-Transformer WE-LAN**



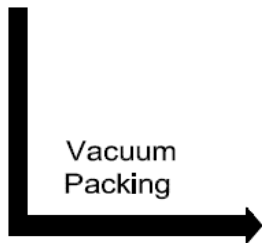
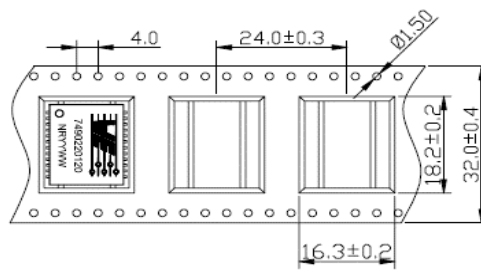
DATUM / DATE : 2018-09-10

## I Rollenspezifikation / tape and reel specification :

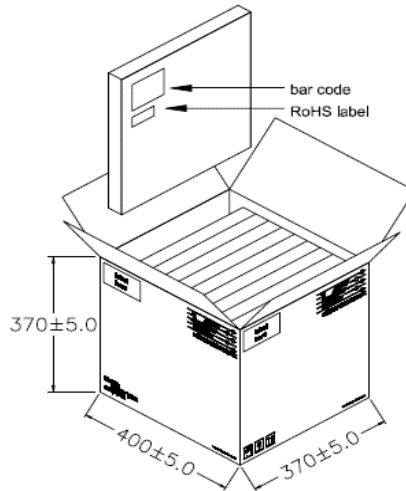
### PACKAGING(Tape & Reel)



(13" Reel)



Vacuum  
Packing



Outside Carton

PACKING QUANTITY:

400pcs Finished Goods / Reel

8 Reels (3200pcs Finished Goods) / Carton

|                                     |                          |      |                         |              |
|-------------------------------------|--------------------------|------|-------------------------|--------------|
| Freigabe erteilt / general release: | <b>Kunde / customer</b>  |      |                         |              |
|                                     |                          |      |                         |              |
| Datum / date                        | Unterschrift / signature | JaB  | Version 04              | 2018-09-10   |
|                                     |                          | JaB  | Version 03              | 2016-08-09   |
|                                     | <b>Würth Elektronik</b>  | JaB  | Version 02              | 2016-07-26   |
|                                     |                          | JaB  | Version 01              | 2016-04-12   |
|                                     |                          | JLiu | Preliminary             | 2015-08-18   |
| Geprüft / checked                   | Kontrolliert / approved  | Name | Änderung / modification | Datum / date |

This electronic component has been designed and developed for usage in general electronic equipment. Before incorporating this component into any equipment where higher safety and reliability is especially required or if there is the possibility of direct damage or injury to human body, for example in the range of aerospace, aviation, nuclear control, submarine, transportation, (automotive control, train control, ship control), transportation signal, disaster prevention, medical, public information network etc, Würth Elektronik eiSos GmbH must be informed before the design-in stage. In addition, sufficient reliability evaluation checks for safety must be performed on every electronic component which is used in electrical circuits that require high safety and reliability functions or performance.

### Würth Elektronik eiSos GmbH & Co.KG

D-74638 Waldenburg · Max-Eyth-Straße 1 - 3 · Germany · Telefon (+49) (0) 7942 - 945 - 0 · Telefax (+49) (0) 7942 - 945 - 400  
<http://www.we-online.com>