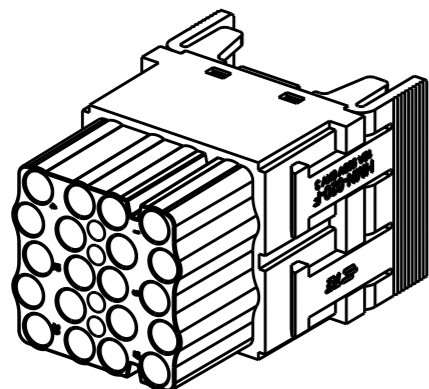


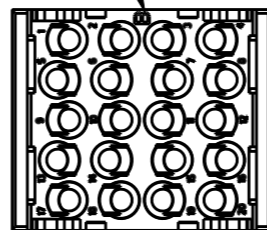
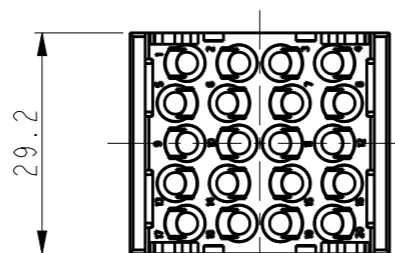
REVISIONS

P	LTR	DESCRIPTION	DATE	DWN	APVD
A		INITIAL	25MAR2015	DW	CW
B		ECR-15-018270	08DEC2015	DW	CW
BI		ECR-18-004560	27MAR2018	CH	CW

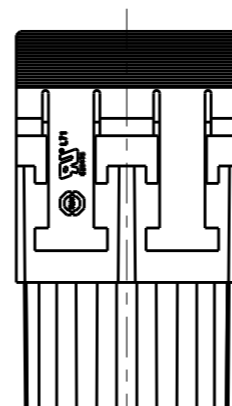
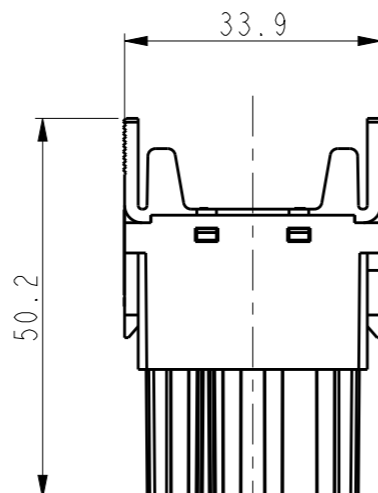
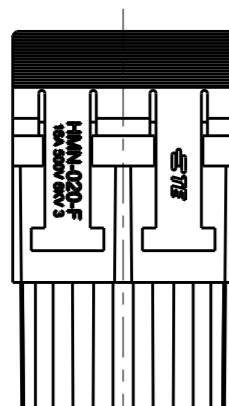


TYPE-1: T2111202201-000
类型-1: T2111202201-000

LASER PRINT MARKING, ARIAL FONT,
HEIGHT 2mm, LOCATION PER ACTUAL POSITION
激光打标, ARIAL 字体, 字高2mm, 位置按实际情况调整.



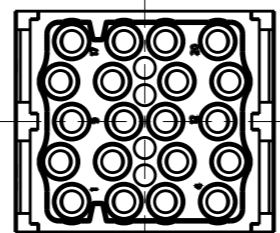
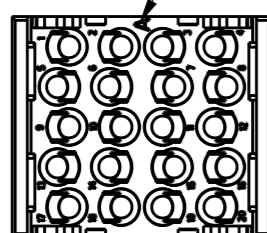
TYPE-3: T2111202201-B00,
THIS TYPE IS SAME AS TYPE-1,
ONLY ADD LASER PRINT MARKING "B"
类型-3: T2111202201-B00
此类型同类型-1, 只是增加了激光打标"B".



- NOTES:
- TECHNICAL CHARACTERISTICS:
INSULATION MATERIAL: PC
RATED VOLTAGE: 500V
RATED CURRENT: 16A
INSULATION RESISTANCE: $\geq 400M\Omega$
RATED IMPULSE VOLTAGE: 6KV
POLLUTION DEGREE: 3
FLAMMABILITY: UL94V-0
MATING CYCLES: 500 CYCLES
OPERATION TEMPERATURE: $-40\sim+125^{\circ}C$
WIRE RANGE: $0.14\sim 4.0\text{ mm}^2$ (26~12 AWG)
CONTACT TYPE: CRIMP CONTACT
 - CONTACT NEED TO BE ORDERED SEPARATELY.
(ORDER No. REFER TO DRAWING: T20300X20XX000)


- 注释:
- 技术参数:
绝缘材料: PC
额定电压: 500V
额定电流: 16A
绝缘电阻: $\geq 400M\Omega$
额定脉冲电压: 6KV
污染等级: 3
阻燃等级: UL94V-0
插拔次数: 500次
工作温度: $-40\sim+125^{\circ}C$
接线范围: $0.14\sim 4.0\text{ mm}^2$ (26~12 AWG)
接线类型: 冷压接
 - 端子需要单独订购.
(订货号参考图面: T20300X20XX000)

LASER PRINT MARKING, ARIAL FONT,
HEIGHT 2mm, LOCATION PER ACTUAL POSITION
激光打标, ARIAL 字体, 字高2mm, 位置按实际情况调整.



TYPE-2: T2111202201-A00,
THIS TYPE IS SAME AS TYPE-1,
ONLY ADD LASER PRINT MARKING "A"
类型-2: T2111202201-A00
此类型同类型-1, 只是增加了激光打标"A".

T2111202201-B00	HMN-020-F	HMN-020 FEMALE MODULE INSERT, MARK B HMN-020 模块母插, 打B标识	TYPE-3 类型-3
T2111202201-A00	HMN-020-F	HMN-020 FEMALE MODULE INSERT, MARK A HMN-020 模块母插, 打A标识	TYPE-2 类型-2
T2111202201-000	HMN-020-F	HMN-020 FEMALE MODULE INSERT HMN-020 模块母插	TYPE-1 类型-1
PART NUMBER 料号	PART DESCRIPTION 描述		TYPE 类型

THIS DRAWING IS A CONTROLLED DOCUMENT.		DWN 25MAR2015 DAVID.WANG	 TE Connectivity		
		CHK 25MAR2015 CHRIS.WANG			
		APVD 25MAR2015 XIANG_XU			
		PRODUCT SPEC 108-137063			
DIMENSIONS: mm		APPLICATION SPEC 114-137063	NAME HMN-020-F		
TOLERANCES UNLESS OTHERWISE SPECIFIED: 0 PLC \pm - 1 PLC \pm - 2 PLC \pm - 3 PLC \pm - 4 PLC \pm - ANGLES \pm -		WEIGHT -	SIZE A3	CAGE CODE 00779	DRAWING NO G-T2111202201000
MATERIAL -		FINISH -	RESTRICTED TO		
		CUSTOMER DRAWING	SCALE 1:1	SHEET 1	OF 1
			REV BI		