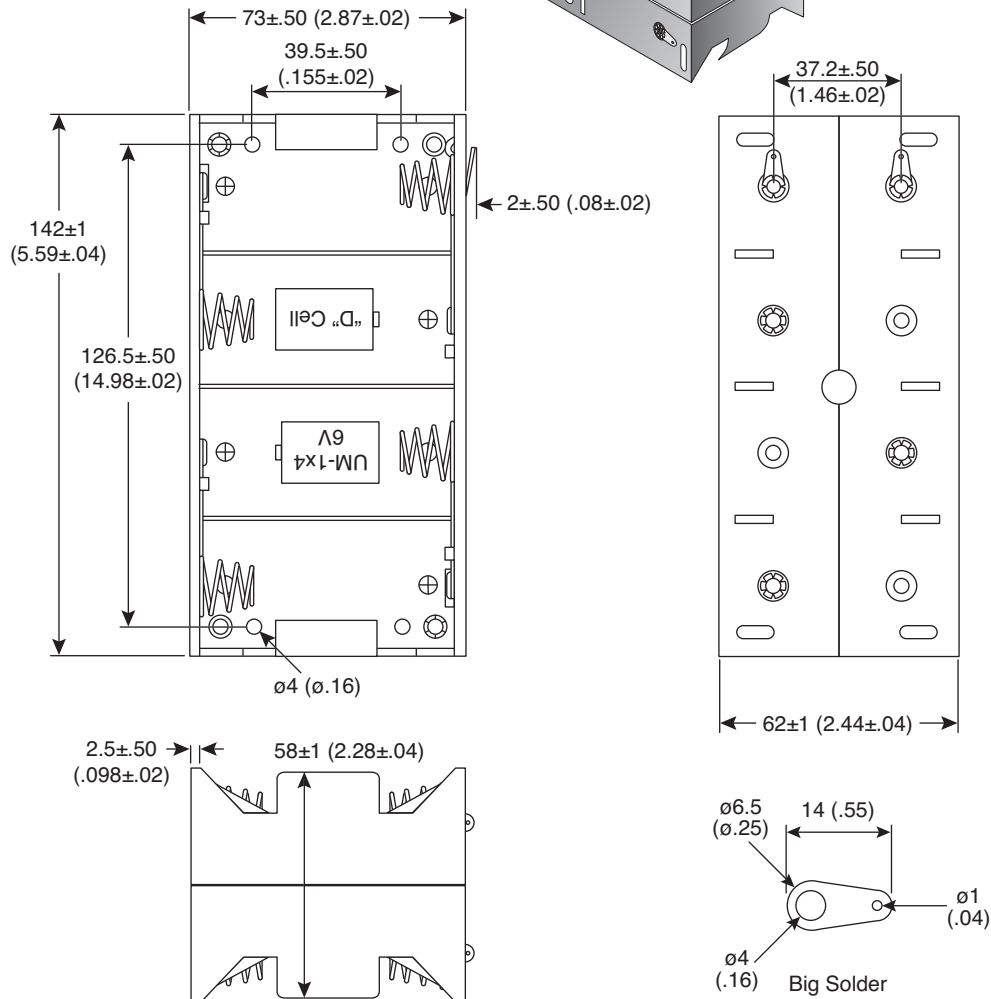
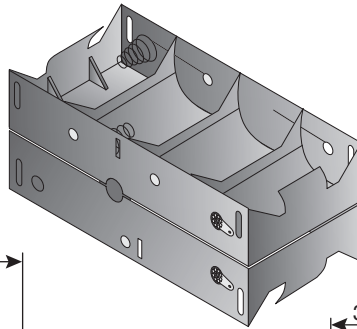


8 "D" Battery Holder with Solder Tabs

12BH181D-GR

Date Last Revised: 4/21/11



Dimensions: mm (in.)

SPECIFICATIONS

Holder Material:	P.P. Resin, Black Color
Spring:	0.9mm 65C Spring Steel, Nickel Plated
Rivet:	Brass Nickel Plated
RoHS Compliant	

Available from Mouser Electronics
1-800-346-6873 / www.mouser.com

EPD-200874