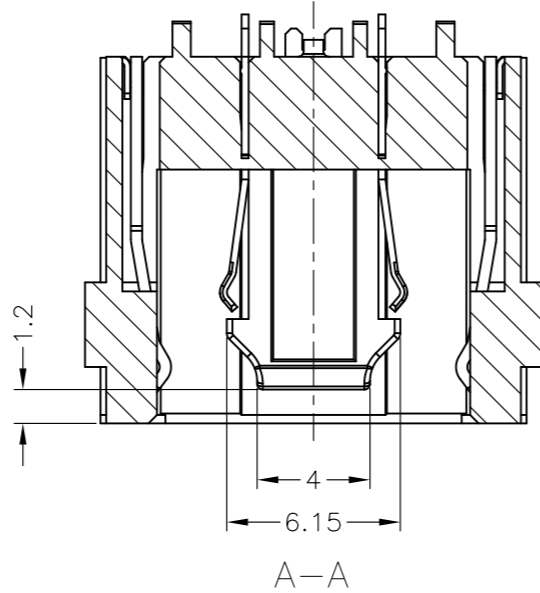
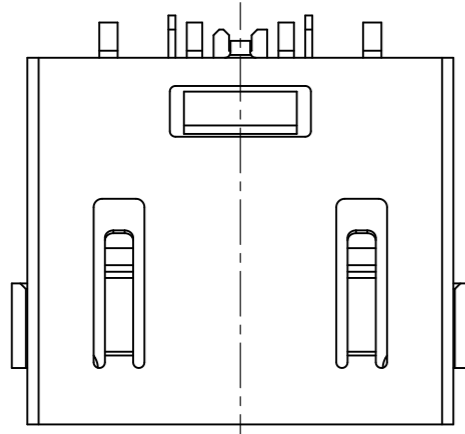
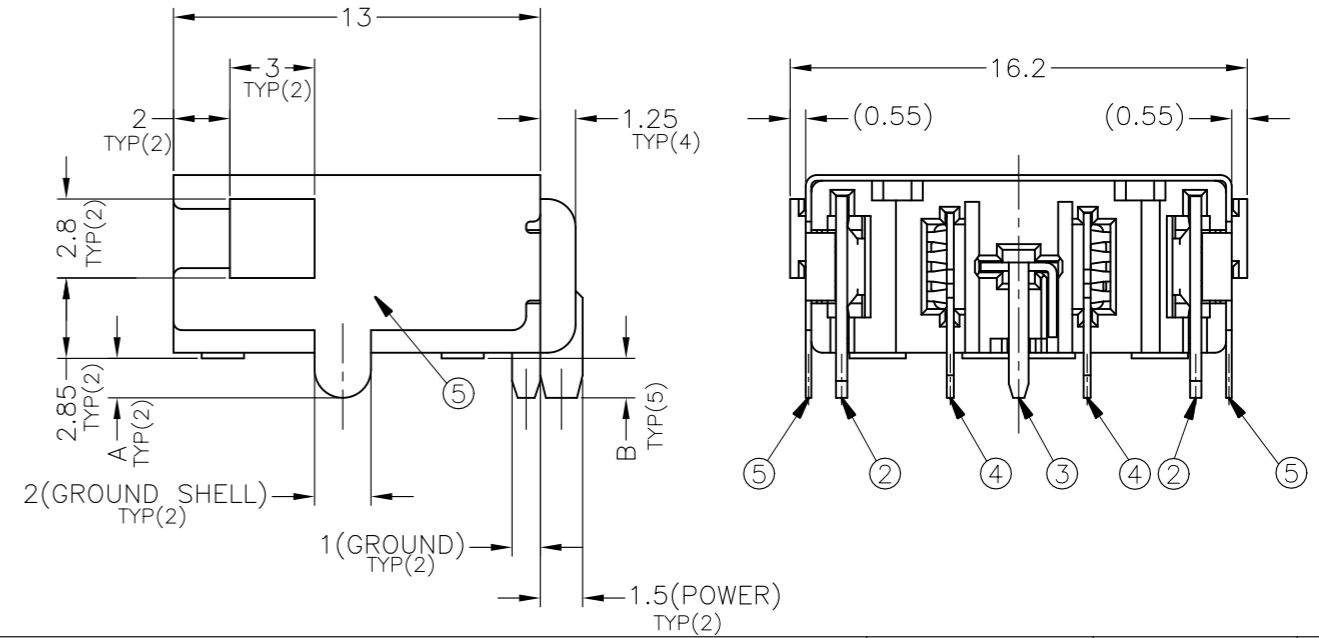
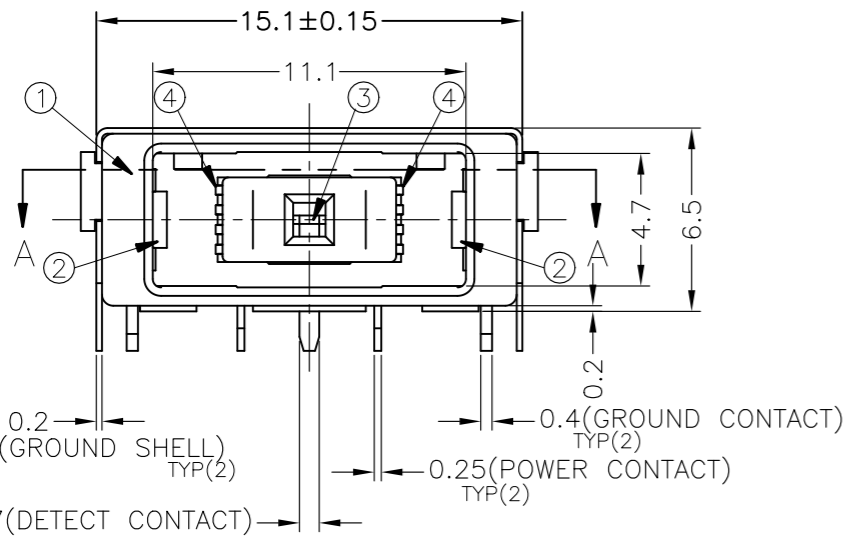


THIS DRAWING IS UNPUBLISHED. RELEASED FOR PUBLICATION - ,4:1 .  
 © COPYRIGHT - By - ALL RIGHTS RESERVED.

LOC		DIST		REVISIONS			
P	LTR	DESCRIPTION		DATE	DWN	APVD	
	B2	REVISED(ECR-18-000596)		10JAN18	T.Z	H.W	

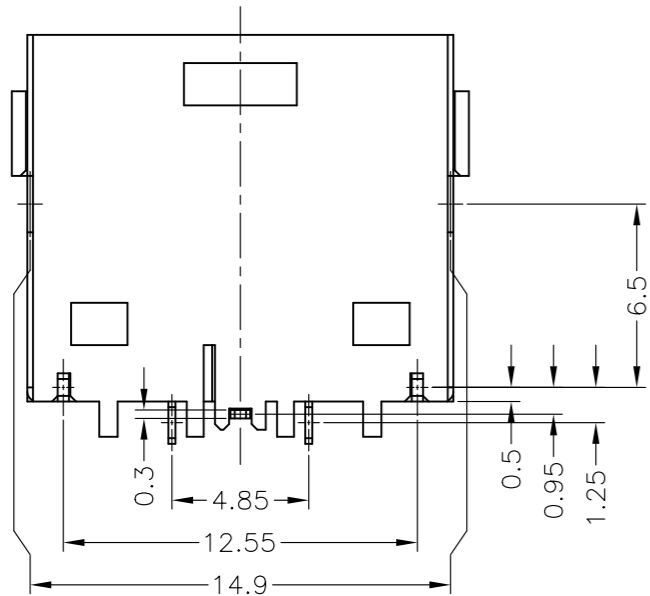


- EU ROHS-RELATED RESTRICTED SUBSTANCE SPEC IN HOMOGENEOUS MATERIAL REFER TO TEC-138-702 REV.G:  
 LEAD < 1000PPM, CADMIUM < 100PPM, MERCURY < 1000PPM  
 CHROMIUM VI < 1000PPM, PBB <1000PPM, PBDE < 1000PPM
- HALOGEN FREE SPEC:  
 CHLORINE (Cl): 900 ppm MAX.  
 BROMINE (Br): 900 ppm MAX.  
 CHLORINE (Cl) + BROMINE (Br): 1500 ppm MAX.



A'SSY P/N					
	1-2129458-3	1-2129458-2	1-2129458-1	2129458-2	2129458-1
DIM B	2.1	1.2	1.4	1.2	1.4
DIM A	2.1	1.2	1.4	1.2	1.4

Q'TY	FINISH/COLOR	MATERIAL	PART NAME	NO.
1	0.002mm MATTE TIN PLATING ON SOLDER AREA, 0.00127mm MIN. NICKEL UNDERPLATED ALL OVER	COPPER ALLOY	GROUND SHELL	⑤
2	0.0002mm GOLD PLATING ON CONTACT AREA, 0.002mm MATTE TIN PLATING ON SOLDER AREA, 0.002mm MIN. NICKEL UNDERPLATED ALL OVER	COPPER ALLOY	POWER CONTACT	④
1	0.0002mm GOLD PLATING ON CONTACT AREA, 0.002mm MATTE TIN PLATING ON SOLDER AREA, 0.002mm MIN. NICKEL UNDERPLATED ALL OVER	COPPER ALLOY	DETECT CONTACT	③
2	0.0002mm GOLD PLATING ON CONTACT AREA, 0.002mm MATTE TIN PLATING ON SOLDER AREA, 0.002mm MIN. NICKEL UNDERPLATED ALL OVER	COPPER ALLOY	GROUND CONTACT	②
1	BLACK	HIGH TEMPERATURE THERMO-PLASTIC (UL94V-0)	HOUSING	①



THIS DRAWING IS A CONTROLLED DOCUMENT.

DIMENSIONS: mm	TOLERANCES UNLESS OTHERWISE SPECIFIED: 0 PLC ± 1 PLC ± 2 PLC ±0.25 3 PLC ±3° 4 PLC ± ANGLES ±	DWN S.HUANG 20JUN2012	
		CHK V.PENG 20JUN2012	
		APVD W.KODAMA 20JUN2012	
		NAME DC POWER JACK CONNECTOR DIP TYPE (10.7A)	
MATERIAL SEE TABLE	FINISH	PRODUCT SPEC 108-99040	SIZE A3
		APPLICATION SPEC 501-99041	CAGE CODE 00779
		WEIGHT 1.94g	DRAWING NO C=2129458
		CUSTOMER DRAWING	RESTRICTED TO
		SCALE 4:1	SHEET 1 of 3
			REV B2

THIS DRAWING IS UNPUBLISHED.

RELEASED FOR PUBLICATION

ALL RIGHTS RESERVED.

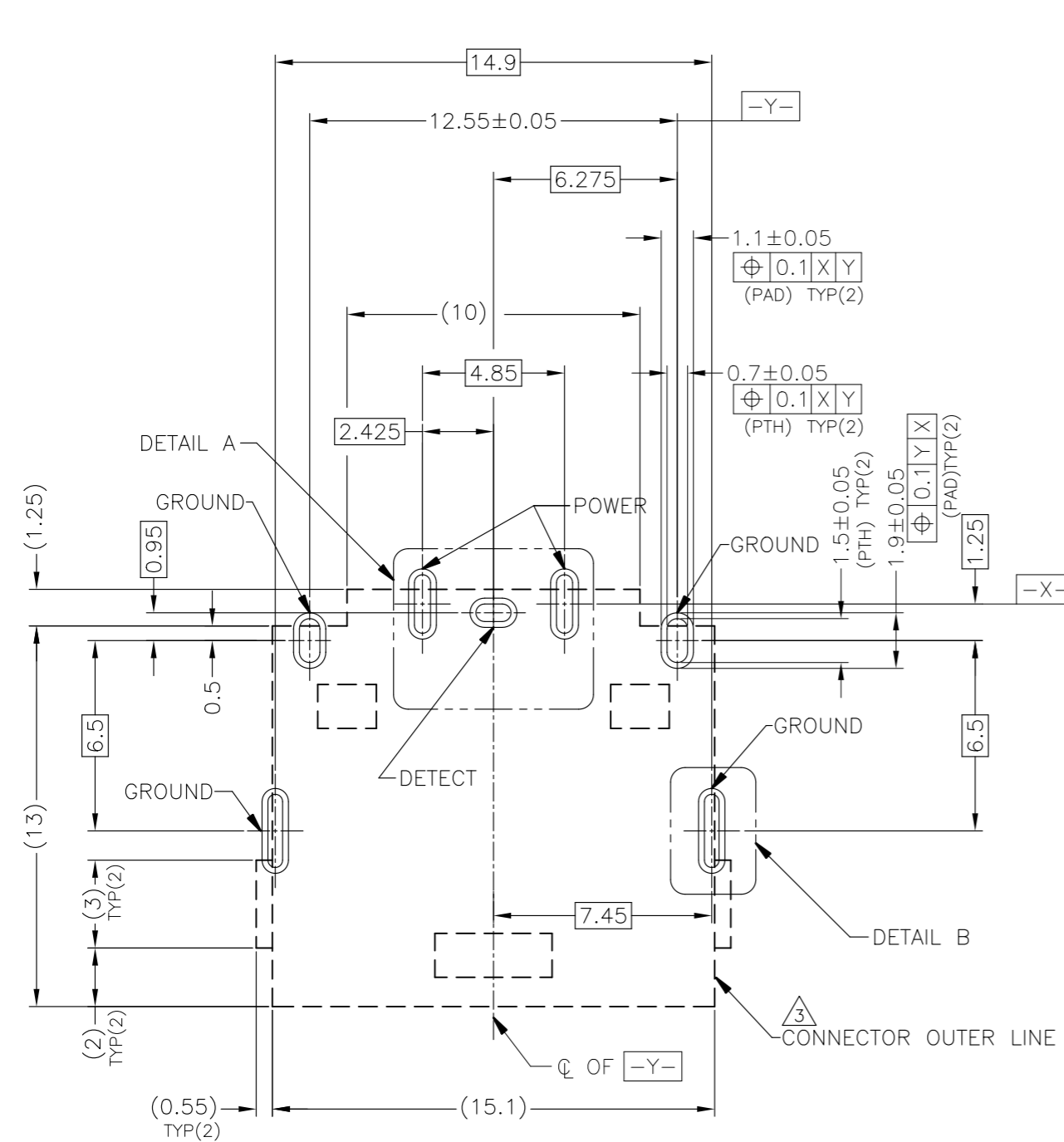
© COPYRIGHT - By -

LOC DW

DIST

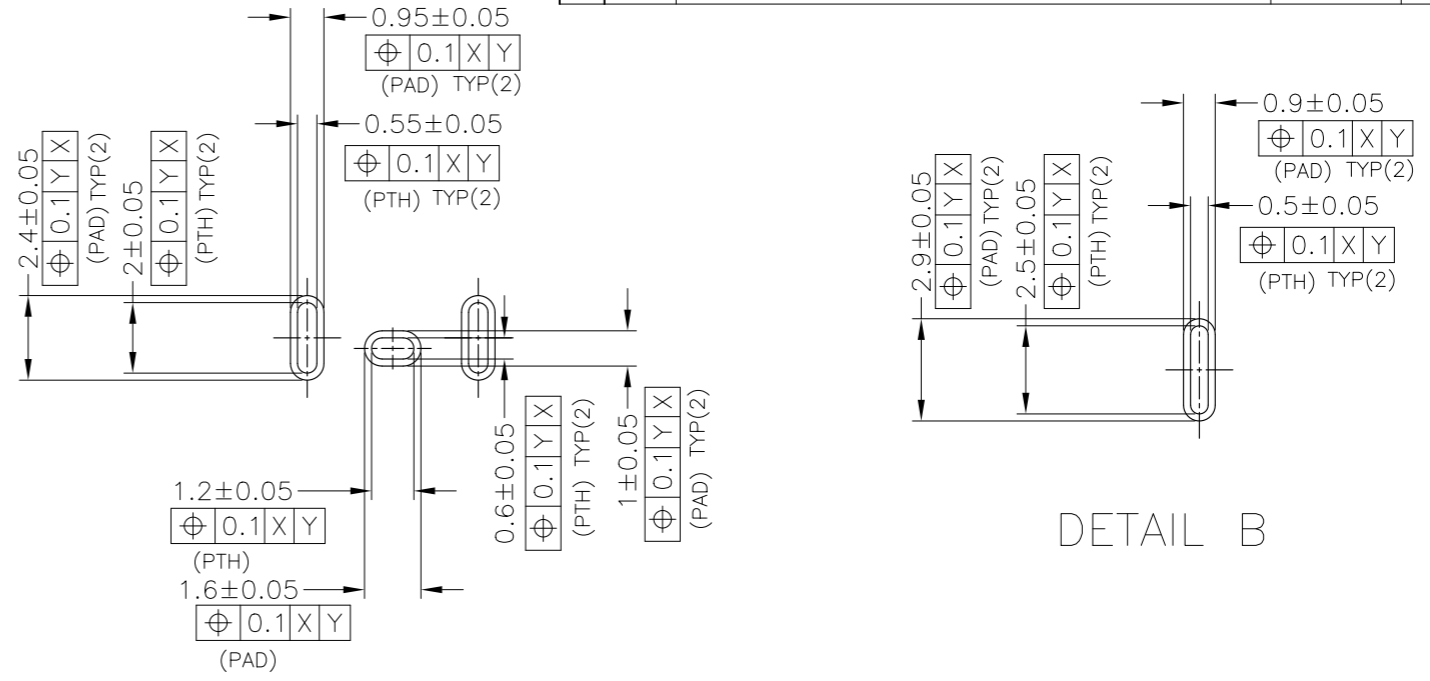
REVISIONS

P	LTR	DESCRIPTION	DATE	DWN	APVD
-	-	SEE SHEET 1	-	-	-



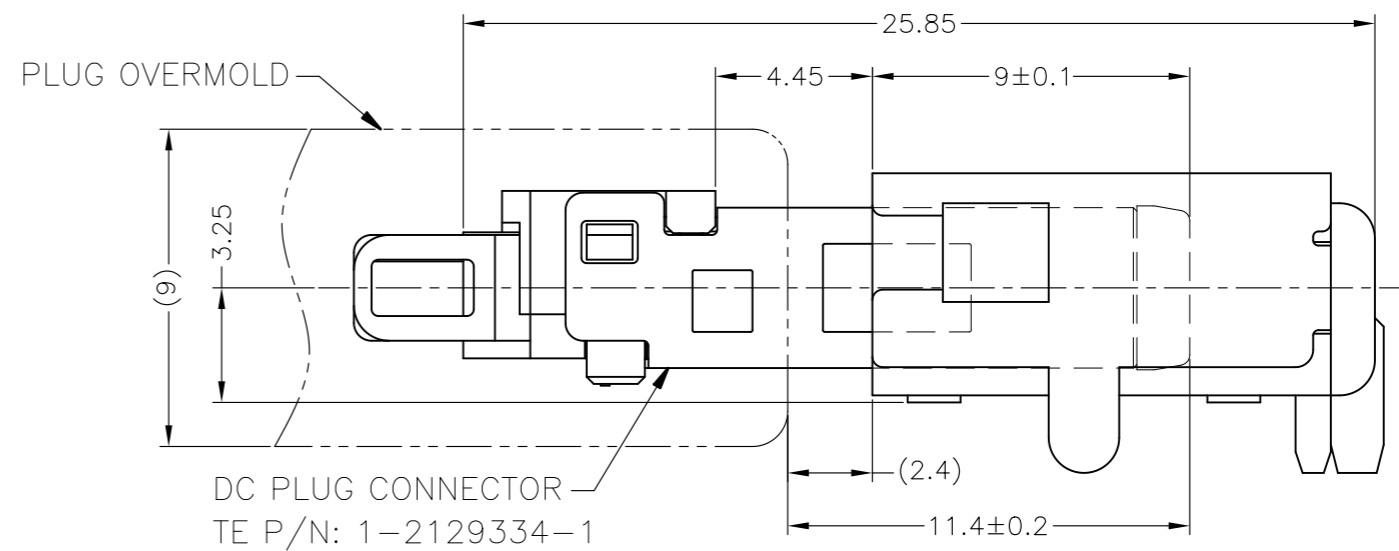
RECOMMENDED P.C.BOARD PATTERN LAYOUT (TOP VIEW)  
TOLERANCE:±0.05 (THICKNESS=0.8mm)

△ [ ] : CONNECTOR OUTER LINE (NO COMPONENT AREA)



DETAIL A

DETAIL B



MATING CONDITION

THIS DRAWING IS A CONTROLLED DOCUMENT.		DWN		TE Connectivity	
DIMENSIONS: mm		CHK			
TOLERANCES UNLESS OTHERWISE SPECIFIED:		APVD		NAME	
0-PLC ±- 1-PLC ±- 2-PLC ±- ±0.25 3-PLC ±- ±3 4-PLC ±- ANGLES ±-		PRODUCT SPEC		DC POWER JACK CONNECTOR DIP TYPE (10.7A)	
MATERIAL		WEIGHT		SIZE CAGE CODE DRAWING NO RESTRICTED TO	
FINISH		CUSTOMER DRAWING		A3 00779 C=2129458	
		SCALE 5:1		SHEET 2 OF 3 REV B2	

4

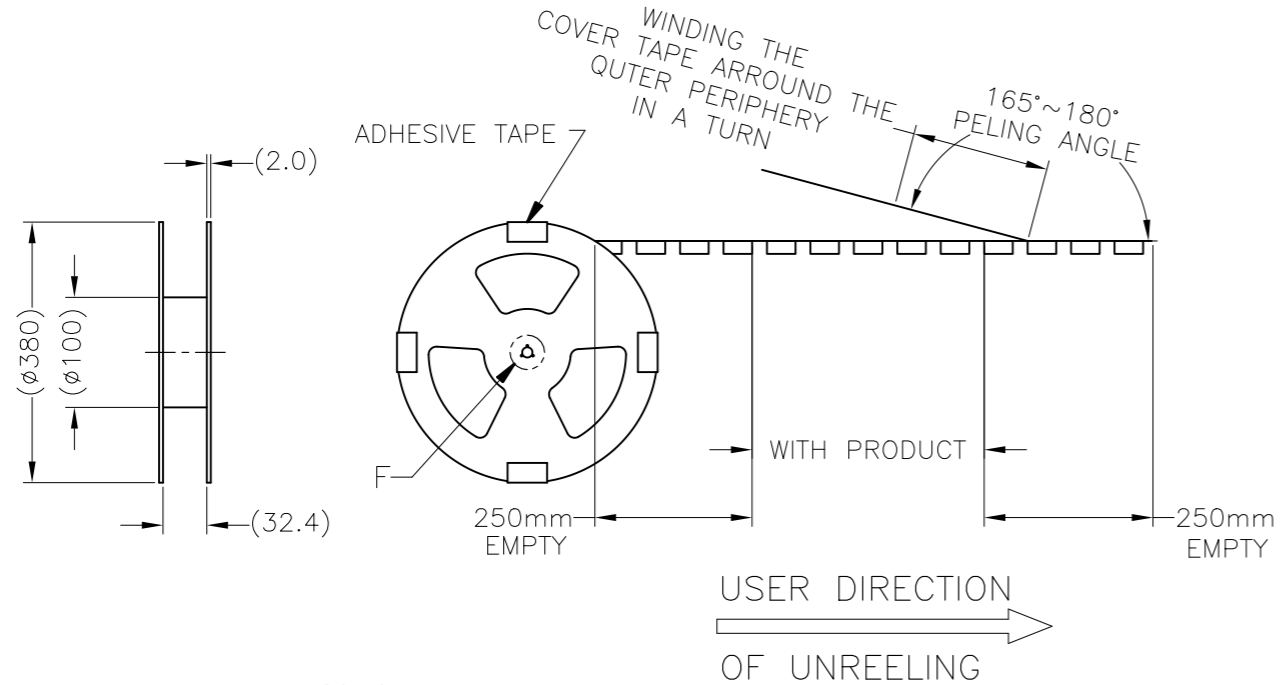
3

2

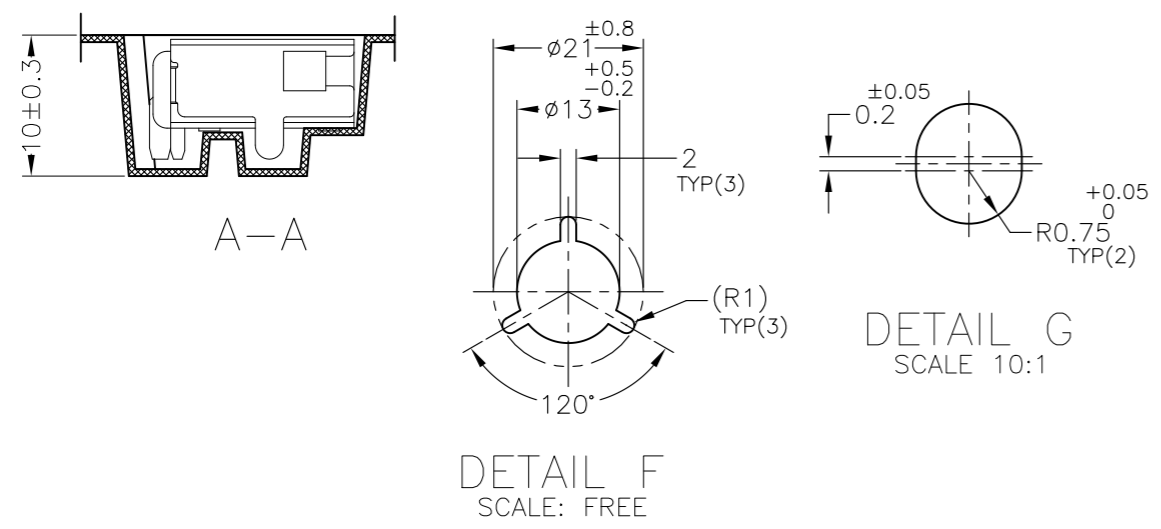
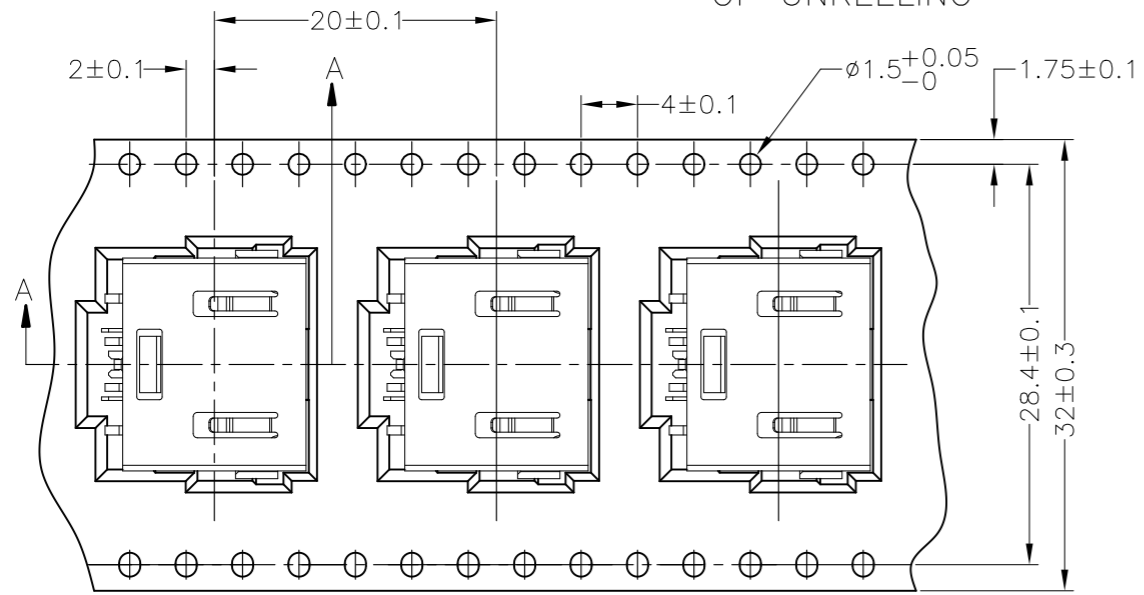
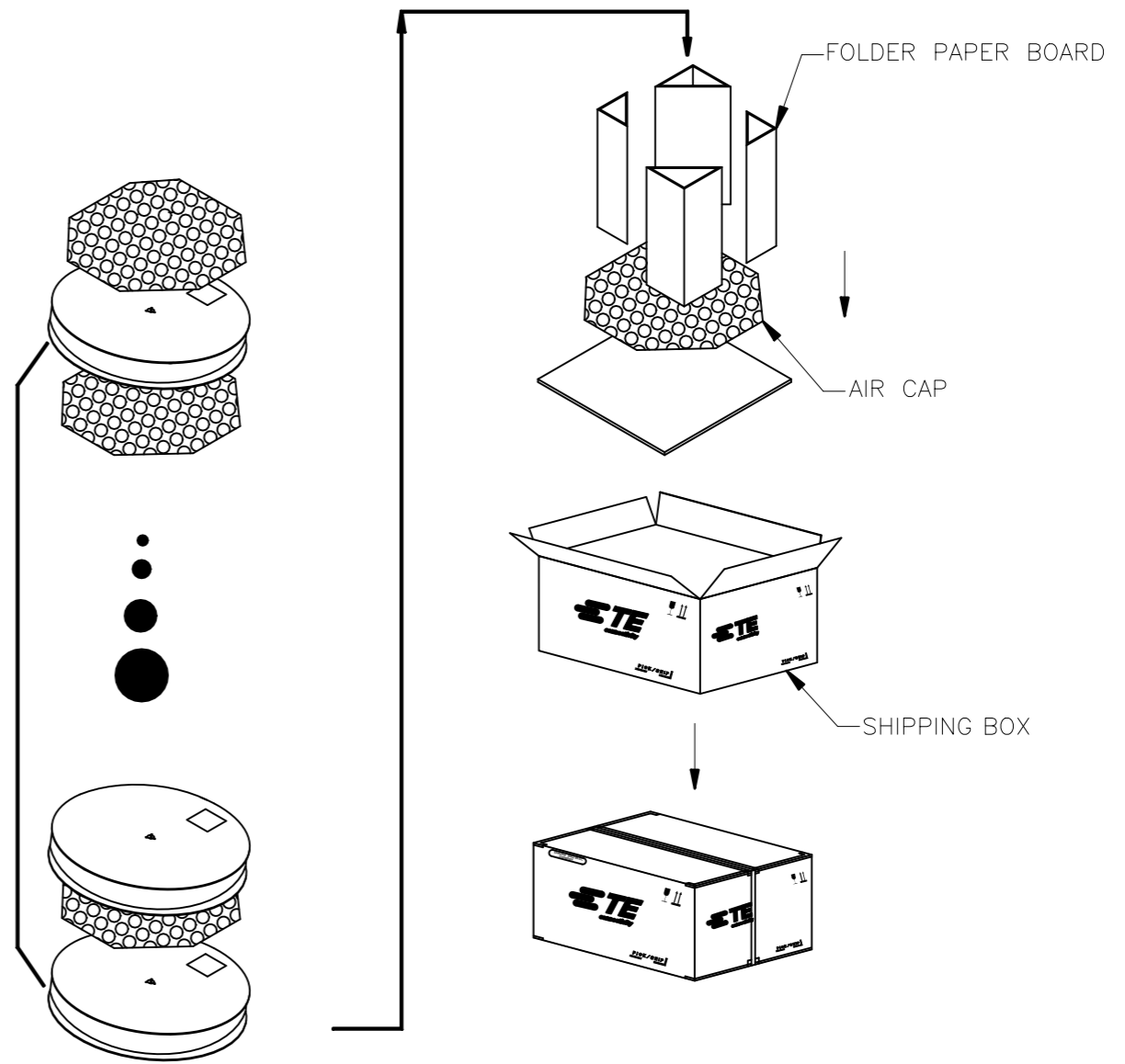
1

THIS DRAWING IS UNPUBLISHED. RELEASED FOR PUBLICATION  
 © COPYRIGHT - By - ALL RIGHTS RESERVED.

LOC	DIST	REVISIONS				
P	LTR	DESCRIPTION	DATE	DWN	APVD	
DW		SEE SHEET 1	-	-	-	



4. SHIPPING BOX DIMENSION: 445mmX445mmX270mm



450	5	2250
PCS/REEL	REEL/SHIPPING BOX	TOTAL Q'TY

THIS DRAWING IS A CONTROLLED DOCUMENT.		DWN		 TE Connectivity NAME DC POWER JACK CONNECTOR DIP TYPE (10.7A)	
DIMENSIONS: mm		CHK			
TOLERANCES UNLESS OTHERWISE SPECIFIED:		APVD			
0-PLC ± - 1-PLC ± - 2-PLC ± - 3-PLC ± - 4-PLC ± - ANGLES ± -		PRODUCT SPEC			
MATERIAL		WEIGHT		APPLICATION SPEC	
FINISH		CUSTOMER DRAWING		RESTRICTED TO	
		A3		C=2129458	
		SCALE NA		SHEET 3 of 3	
				REV B2	