



Main

Range of product	Modicon M238 logic controller
Product or component type	Discrete input module
Discrete input number	8
Discrete input voltage	24 V
Discrete input voltage type	DC

Complementary

Range compatibility	Advantys OTB Twido
Input voltage limits	20.4...28.8 V
Discrete input logic	Sink or source
Discrete input current	7 mA
Input impedance	3.4 kOhm
Number of common point	1
Response time	4 ms at state 0 4 ms at state 1
Isolation between channels	None
Isolation between channels and internal logic	500 V for 1 minute
Current consumption	25 mA 5 V DC at state 1 for all input
Local signalling	1 display block
Electrical connection	1 removable screw terminal block
Mounting support	35 mm symmetrical DIN rail
Product weight	0.22 lb(US) (0.1 kg)

Environment

depth	3.33 in (84.6 mm)
height	3.54 in (90 mm)
width	0.93 in (23.5 mm)

Offer Sustainability

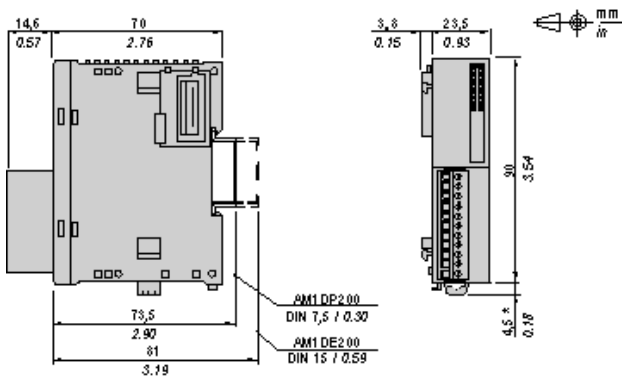
Green Premium product	Green Premium product
Compliant - since 1039 - Schneider Electric declaration of conformity	Compliant - since 1039 - Schneider Electric declaration of conformity
Reference not containing SVHC above the threshold	Reference not containing SVHC above the threshold
Available	Available
Available	Available
WARNING: This product can expose you to chemicals including:	WARNING: This product can expose you to chemicals including:
Lead and lead compounds, which is known to the State of California to cause cancer and birth defects or other reproductive harm.	Lead and lead compounds, which is known to the State of California to cause cancer and birth defects or other reproductive harm.
For more information go to www.p65warnings.ca.gov	For more information go to www.p65warnings.ca.gov

Contractual warranty

The information provided in this documentation contains general descriptions and/or technical characteristics of the products contained herein. This documentation is not intended as a substitute for and is not to be used for determining suitability or reliability of these products for specific user applications. It is the duty of any such user or integrator to perform the appropriate and complete risk analysis, evaluation and testing of the products with respect to the relevant specific application or use thereof. Neither Schneider Electric Industries SAS nor any of its affiliates or subsidiaries shall be responsible or liable for misuse of the information contained herein.

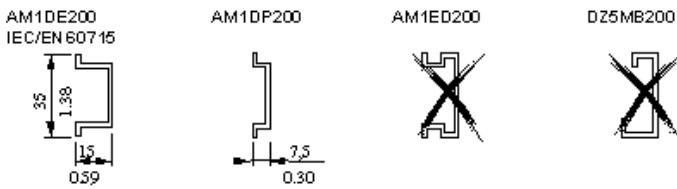
Digital Input Module (8-channel, 24 Vdc)

Dimensions



NOTE: * 8.5 mm (0.33 in) when the clamp is pulled out.

DIN Rail Mounting

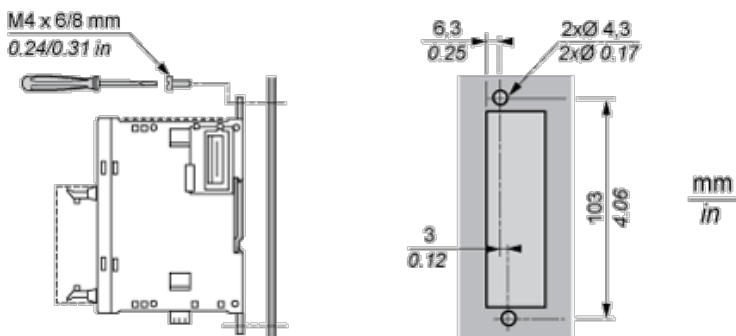


Rail depth	Catalogue part number
15 mm (0.59 in.)	AM1DE200
7,5 mm (0.30 in.)	AM1DP200

NOTE: Do not use AM1ED200 and DZ5MB200

Module Mounting on a Panel Surface

Mounting Hole Layout



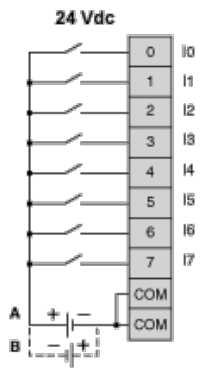
Wiring Requirements

Cable Types and Wire Sizes for Removable Screw Terminal Block

mm ² AWG	0,14...1,5	0,25...0,5	0,25...1,5	0,14...0,5	0,14...0,75	0,25...0,34	0,5
	26...16	24...20	24...16	26...20	26...18	24...22	20

Digital Input Module (8-channel, 24 Vdc)

Wiring Diagram



A Sink wiring (positive logic)

B Source wiring (negative logic)

The COM terminals are connected together internally.