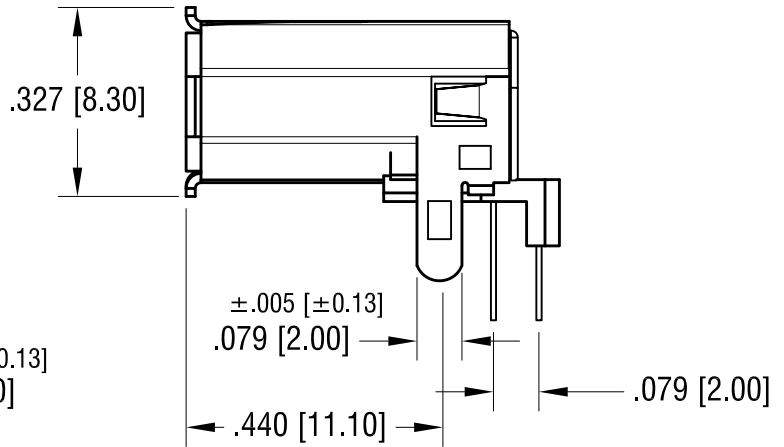
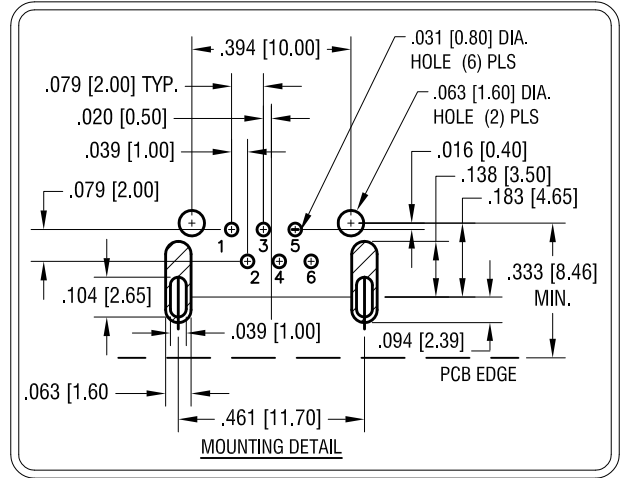
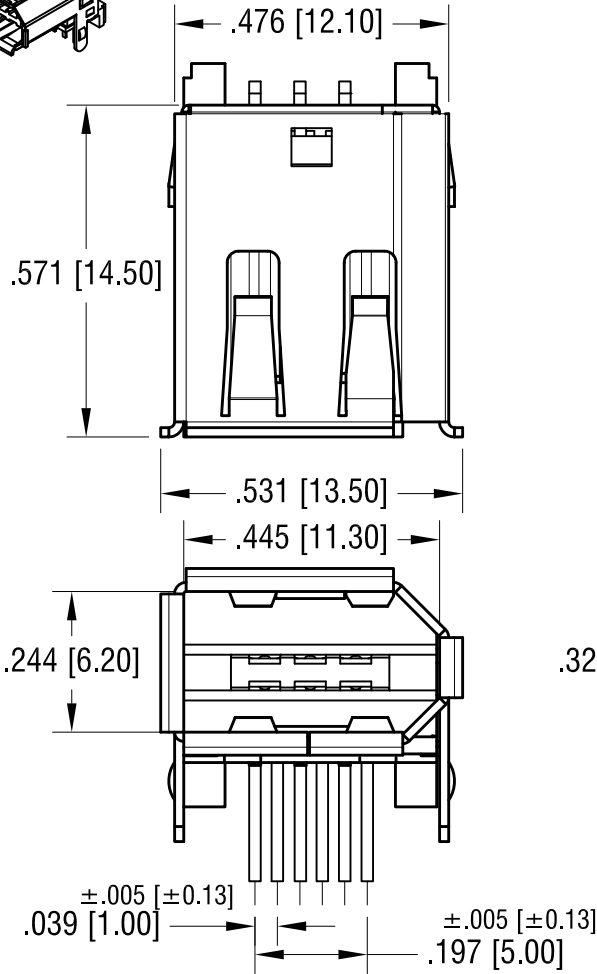
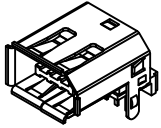


THIS DOCUMENT IS THE PROPERTY OF KEYSTONE ELECTRONICS CORP. AND SHALL NOT BE REPRODUCED, DISTRIBUTED OR USED AS A BASIS FOR MANUFACTURE WITHOUT PRIOR WRITTEN PERMISSION FROM KEYSTONE ELECTRONICS CORP.

ACTUAL SIZE



NOTE:

1. SHELL: MAT'L- STEEL
FINISH- TIN PLATE, OVER NICKEL PLATE
2. INSULATOR: MAT'L- THERMOPLASTIC, UL94V-0
3. CONTACT: MAT'L- PHOSPHOR BRONZE
FINISH ON CONTACT AREAS-
GOLD PLATE, OVER NICKEL PLATE
FINISH ON SOLDER TAIL-
TIN PLATE, OVER NICKEL PLATE

4. ELECTRICAL SPECIFICATIONS:

- RATED VOLTAGE- 30V AC (rms)
- CONTACT CURRENT RATING: 1A MAX.
- CONTACT CURRENT RESISTANCE: 30 millioms MAX,
- INSULATION RESISTANCE: 1000 Megohms Min.
- DIELECTRIC WITHSTANDING: .750V AC
- OPERATING TEMPERATURE: 32° [0°C] TO 104° [40°C]

KEYSTONE ELECTRONICS CORP.

www.keyelco.com • ASTORIA, N.Y. 11105-2017 • Tel (718) 956-8900

| | | | |
|----------------------------|-----------------|--|---------|
| PART NAME | | IEEE 1394 'FIREWIRE' HORIZONTAL SOCKET | |
| MATERIAL | | | |
| AS NOTED | | | |
| FINISH | AS NOTED | DRN BY | BOONE |
| | | APP'D | LN |
| | | DATE | 7.1.99 |
| | | SCALE | 3X |
| TOLERANCES | INCH [MM] | CODE | DWG NO. |
| DECIMAL | ± .010 [± 0.25] | C | 929 |
| ANGULAR | ± 1° | | |
| UNLESS OTHERWISE SPECIFIED | | | |

| | | |
|---------|--------------------------|------|
| 5.19.16 | CHANGE AS PER ECN 16-059 | B |
| 6.7.05 | CHANGE AS PER ECN 05-031 | A |
| DATE | DESCRIPTION | REV. |